

HNC3V241F-IRAS-S2/28

4MP Lite IR Fixed-focal Dome Network Camera



With upgraded H.265 encoding technology, the Lite series network camera has efficient video encoding capacity, which saves bandwidth and storage space. This camera adopts the latest starlight technology and displays better color image in the condition of low illumination. It supports SD card storage, dust-proof function, waterproof function and vandal-proof function, complying to the standards of IP67 and IK10.



MODEL(S) AVAILABLE

HNC3V241F-IRAS-S2/28

KEY FEATURES

- ▶ 4MP, 1/3" CMOS image sensor, low illuminance, high image definition
- ▶ Outputs max. 4MP (2688 × 1520) @ 20 fps, and supports 2560 × 1440 @ 25/30 fps
- ▶ H.265 codec, high compression rate, ultra-low bit rate
- ▶ Built-in IR LED, max. IR distance: 98 ft (30 m)
- ▶ ROI, SMART H.264+/H.265+, flexible coding, applicable to various bandwidth and storage environments
- ▶ Rotation mode, WDR, 3D DNR, HLC, BLC, digital watermarking, applicable to various monitoring scenes
- ▶ Intelligent detection: Intrusion, tripwire
- ▶ Alarm In/Out: 1/1; Audio In/Out: 1/1; Built-in Mic;
- ▶ Supports max. 256 GB Micro SD card
- ▶ 12 V DC / PoE power supply
- ▶ IP67, IK10 protection

Product Specifications

Camera	
Image Sensor	1/1.3" 4MP Progressive CMOS
Image Resolution	2688 (H) × 1520 (V)
ROM	128 MB
RAM	128 MB
Electronic Shutter	Auto/Manual 1/3 s ~ 1/100,000 s
Minimum Illumination	0.008 Lux @ F1.6
S/N Ratio	> 56 dB
IR LEDs	1
IR Distance	98 ft (30 m)
Illuminator On/Off Control	Auto / Manual
Lens Type	Fixed-focal
Focal Length	2.8 mm
Angle of View	Horizontal: 102° Vertical: 55° Diagonal: 121°
Max. Aperture	F1.6
Close Focus Distance	2.95 ft (0.9 m)
Pan / Tilt / Rotation	Pan: 0°~360° / Tilt: 0°~80° / Rotation: 0°~360°

Video Standard	
Video Compression	H.265 / H.264 / H.264B / MJPEG (Sub stream only)
Smart Codec	Smart H.265+ / Smart H.264+
Video Frame Rate	Main stream: 2688 × 1520 @ (1–20 fps) 2566 × 1440 @ (1–25/30 fps) Sub stream: 704 × 576 @ (1–25fps) 704 × 480 @ (1–30fps)
Streaming Capability	2 Streams
Video Resolution	4M (2688 × 1520); 3.6M (2560 × 1440); 3M (2304 × 1296); 1080P (1920 × 1080); 1.3M (1280 × 960); 720P (1280 × 720); D1 (704 × 576 / 704 × 480); VGA (640 × 480); CIF (352 × 288 / 352 × 240)
Bit Rate Control	CBR; VBR
Video Bitrate	H264: 32 Kbps ~ 6144 Kbps H265: 12 Kbps ~ 6144 Kbps
Day / Night	Auto (ICR) / Color / B / W
BLC Mode	Yes
HLC Mode	Yes
Wide Dynamic Range	120 dB true WDR
White Balance	Auto / Natural / Street Lamp / Outdoor / Manual / Regional Custom
Gain Control	Auto / Manual
Digital Noise Reduction	3D DNR
Motion Detection	On / Off (4 areas, rectangular)
Region of Interest	4
Smart Illumination	Yes
Defog	N/A
Exposure Mode	N/A
Mirror	Yes
Privacy Masking	Yes

Image Rotation	0°/90°/180°/270° (Support 90°/270° with 2688 × 1560 resolution and lower)
----------------	---

Network & Interface	
Ethernet	RJ-45 (10/100 Base-T)
SDK and API	Yes
Network Protocol	IPv4; IPv6; HTTP; HTTPS; TCP; UDP; ARP; RTP ; RTSP; RTCP; RTMP; SMTP; FTP; SFTP; DHCP; DNS; DDNS; QoS; UPnP; NTP; Multicast; ICMP; IGMP; NFS; PPPoE; 802.1x; Bonjour
Network Interoperability	ONVIF (Profile S/Profile T); CGI; P2P; Milestone; Genetec
Streaming Method	N/A
Network Max. Users	20
Storage	FTP; SFTP; Micro SD Card Slot (support max. 256 GB)
Web Viewer	IE / Chrome / Firefox
Management Software	Smart PSS / DSS / DMSS
Mobile	iOS / Android
BNC	N/A
Audio I/O	1/1, RCA port
Alarm I/O	1/1
Alarm Event	No SD card; SD card full; SD card error; network disconnection; IP conflict; illegal access; motion detection; video tampering; tripwire; intrusion; audio detection; voltage detection; security exception; local alarm
Audio Compression	G.711a; G.711Mu; G.726; AAC
RS485	N/A
Built-in MIC	Yes

Video Intelligent	
IVS	Intrusion, Tripwire

General	
Power Supply	12V DC / PoE
Power Consumption	< 5.4 W
Operating Temperature	-40°C ~ 60°C (-40°F ~ 140°F) / ≤ 95% RH
Storage Temperature	-40°C ~ 60°C (-40°F ~ 140°F)
Protection	IP67, IK10
Casing	Metal
Dimensions	55 mm × 108.9 mm (2.2" × 4.3")
Net Weight	380 g (0.8 lb)
Gross Weight	520 g (1.1 lb)
Certifications	CE-LVD: EN60950-1 CE-EMC: Electromagnetic Compatibility Directive 2014/30/EU FCC: 47 CFR FCC Part 15, Subpart B UL/CUL: UL60950-1 CAN/CSA C22.2 No.60950-1-07

Product Specifications

Product Accessories



PFA139



PFB205W-E



PFA152-E

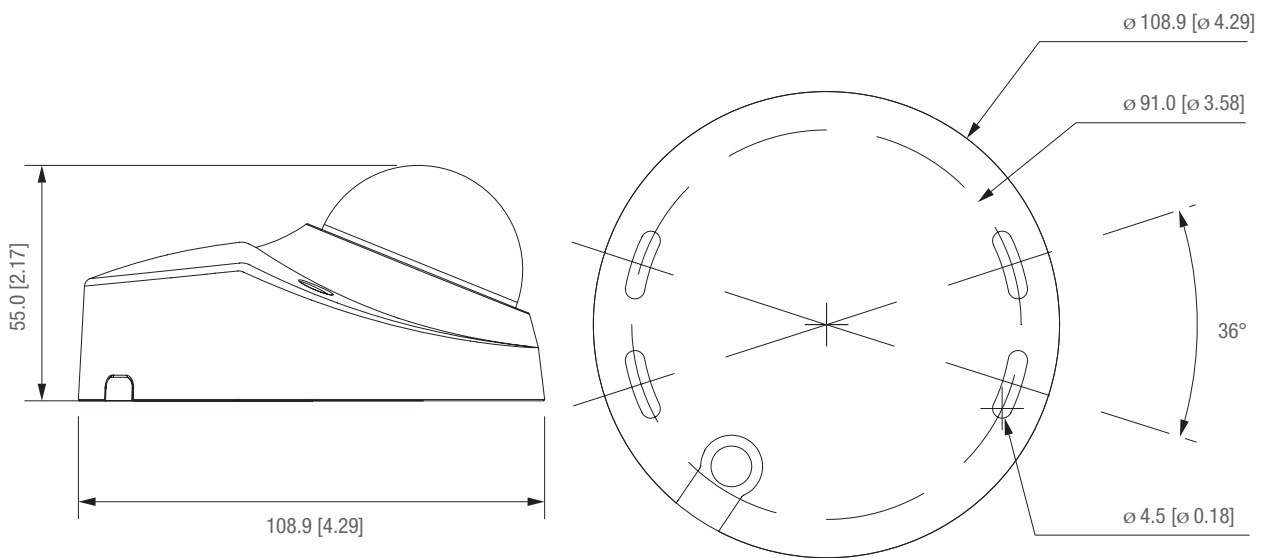


PFA106



PFB220C

Product Dimensions (mm [inch])



Plainview, NY
50 Commercial St., Plainview, NY 11803
Tel: 516-870-3779

Downtown LA, CA
1113 Venice Blvd., Los Angeles, CA 90015
Tel: 213-218-2260

Miami, FL
1604 NW 84 Ave., Doral, FL 33126
Tel: 786-410-6777

College Point, NY
129-04 14th Ave., College Point, NY 11356
Tel: 718-939-2710

San Francisco, CA
41324 Christy St., San Francisco, CA 94538
Tel: 510-584-9007

Chicago, IL
873 Cambridge Dr., Elk Grove Village, IL 60007
Tel: 847-584-2227

Brooklyn, NY
9017 5th Ave., Brooklyn, NY 11209
Tel: 347-507-5533

Houston, TX
1720 Townhurst Dr., Houston, TX 77043
Tel: 430-702-0999

City of Industry, CA
525 Parriott Pl., City of Industry, CA 91745
Tel: 626-961-8999

Dallas, TX
12901 Valley Branch Ln., Farmers Branch, TX 75234
Tel: 972-996-1600