

Resolution 960

KPC-EJ230NUWX 750TVL Miniature Bullet Camera

www.ktncusa.com

- 750TVL Horizontal Resolution
- 1/3"960H SONY EXview HAD CCD II
- Min. Illumination of 0.1 Lux
- IP67 (Water Resistant)
- Digital Day & Night
- 2D DNR / BLC / AWB / AGC / ATR
- DC 12 V Power



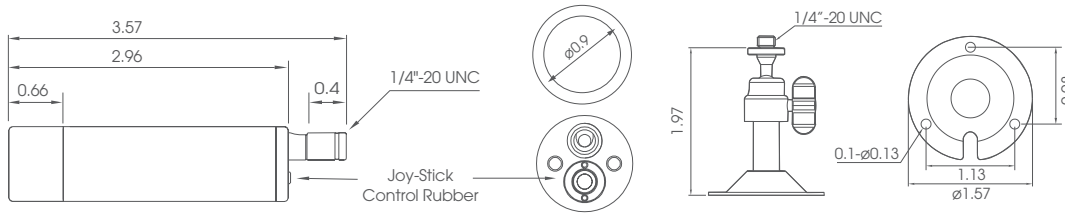
Resolution 960

- 750TVL Horizontal Resolution
- 1/3" 960H SONY EXview HAD CCD II
- Min. Illumination of 0.1 Lux
- IP67 (Water Resistant)
- Digital Day & Night
- 2D DNR / BLC / AWB / AGC / ATR
- DC 12 V Power

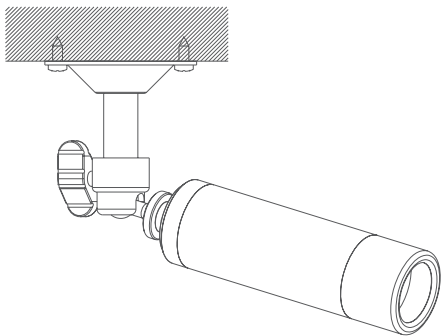


FC CE

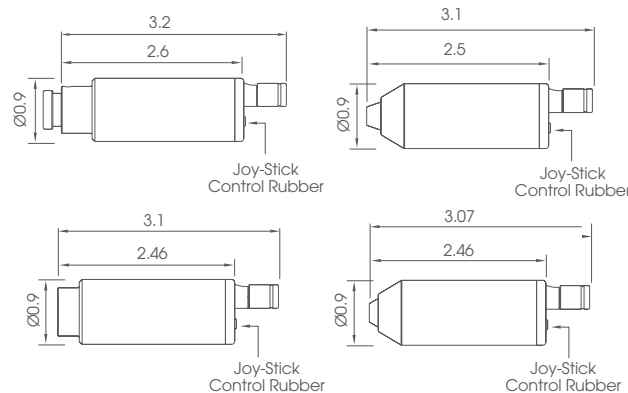
General Feature Diagram Unit: (inch)



MOUNTING POSITION



Board Lens Options



KPC-EJ230NUWX

750TVL Miniature Bullet Camera



Technical Specification

Signal System	NTSC		
Image Sensor	1/3" 960H SONY EXview HAD CCD II		
Scanning System	2:1 Interlace		
Horizontal Resolution	750TV Lines		
Scanning Frequency	15.734 KHz x 59.94 Hz (H x V)		
Total Pixels	Effective Pixels	1020 x 508 (H x V)	976 x 494 (H x V)
Synchronization	Internal		
Lens	2.97 mm, 3.6 mm, 4.3 mm, 6 mm, 8 mm, 12 mm		
Lens Type	Fixed Board Lens		
S/N	More than 50dB (AGC Off)		
Gamma	r = 0.45		
Min. Illumination	0.1 Lux		
Shutter Speed	1/60 ~ 1/100,000 sec		
Day & Night	Digital Day & Night		
Day & Night Function	Auto, Color, B/W		
IP Rating	IP67 (Water Resistant)		
Video Output Level	1.0 Vp-p Composite (75 Ω)		
On-Screen Display (OSD)	Built-in with Joystick		
BLC	Off, BLC, HLC		
DNR	2D DNR		
ATR	On / Off (Level Adjustable)		
White Balance	ATW, Push, User1, User2, Anti CR, Manual, Push-lock		
Privacy Masking	4 Zones		
Mirror	On / Off		
Motion Detection	4 Zones		
Other Function	Brightness, Contrast, Sharpness, Hue, Gain		
Language Option	English, Japanese, German, French, Russian, Portuguese, Spanish		
Operating Temperature	14 °F ~ 122 °F (-10 °C ~ 50 °C)		
Storage Temperature	-4 °F ~ 140 °F (-20 °C ~ 60 °C)		
Humidity	Less than 80% RH		
Power Supply	DC 12 V (±10%), Max. 83 mA		
Dimension	Weight	$\varnothing 0.9 \times 2.96$ inch ($\varnothing 23 \times 75.2$ mm) 0.15 lbs (68 g)	

TYPE	Board Lens				
Focal Length	2.97	3.6	6	8	12
Aperture	F2.0	F2.0	F2.0	F2.0	F2.2
Angle of View	130 °	92 °	53 °	40 °	28 °

Lens (mm)