

## ExSite® Series Explosionproof Camera System FIXED AND PAN/TILT SYSTEMS WITH IOP CAMERA AND OPTIONAL WIPER

### Product Features

- For Use in a Variety of Harsh and/or Hazardous Environments, including Marine Environments
- Electropolished 316L Stainless Steel Construction
- Upright or Inverted Operation
- Both Fixed and Pan/Tilt Options
- Autofocus, High Resolution Integrated Optics Package (IOP) with 36X Day/Night, Motion Detection, and 540 TVL Horizontal Resolution
- Multilingual On-Screen Menus
- Password Protection
- Configurable Camera Settings
- On-Screen Compass, Tilt, and Zoom Display
- Quick and Easy Installation
- Reliable, Maintenance-Free Brushless DC Stepper Motor and Timing Belt Transmissions for Smooth and Accurate Positioning
- 2-Year Continuous-Duty Warranty
- Sun Shroud, Heater/Window Defroster, and Blower All Standard

The **ExSite® Series** are innovative integrated camera systems that meet stringent explosionproof and dust-ignitionproof requirements. **ExSite Pan/Tilt Series** not only combine a receiver, pan/tilt, and enclosure in a single, easy-to-install system, but also includes an Integrated Optics Package (IOP). The **ExSite Fixed Series** also includes an IOP and can be installed in a standard or inverted position and features manually adjustable 200 degrees of pan and 180 degrees of tilt positioning. The Integrated Optics Package contains an autofocus camera and lens module with configurable features.

The **ExSite Series** features a day/night camera with a removable infrared cut filter and a 36X zoom lens (36X optical, 12X digital).

The electropolished 316L stainless steel construction makes the **ExSite Series** ideal for all kinds of environmental conditions including marine applications. The system has an absolute operating temperature range of  $-60^{\circ}$  to  $60^{\circ}\text{C}$  ( $-76^{\circ}$  to  $140^{\circ}\text{F}$ ). Within two hours after power-up, the entire unit can de-ice and be operational from a temperature of  $-25^{\circ}\text{C}$  ( $-13^{\circ}\text{F}$ ).

The **ExSite Series** include an optional window wiper. The wiper is completely integrated into the enclosure. The wiper can be configured to delay between wipes and to automatically shut off after a specified period. A built-in heater, window defroster/defogger, sun shroud, and blower are standard features on the **ExSite Series**. All units also include three auxiliary output relays that can be configured for a variety of uses.



**EXSITE PAN/TILT SERIES SHOWN WITH  
WXM100 WALL MOUNT (NOT SUPPLIED)**

- Configurable Locations of Labels and On-Screen Displays
- 7 Alarm Inputs, 3 Relay Outputs

The **ExSite Pan/Tilt Series** variable pan and tilt speeds range from 0.1 to 40 degrees per second in manual pan, tilt, and preset mode. The **ExSite Pan/Tilt Series** is capable of 360 degrees of continuous pan rotation. The tilt range allows for horizontal viewing of  $-90$  to  $+90$  degrees. There are 80 preset positions with a preset accuracy of  $\pm 0.1$  degree.

The systems are available with an input voltage of 24 VAC or with a power source of 100 to 240 VAC. The **ExSite Series** also have a power-up recovery mode that allows the user to specify what operation the system will resume whenever the power is cycled.

**ExSite Pan/Tilt Series** feature built-in system memory in the power module to store camera and location-specific pan/tilt settings, including labels, presets, patterns, and zones. These settings are automatically down-loaded if a new pan and tilt body is installed.



by **Schneider** Electric

International Standards  
Organization Registered Firm;  
ISO 9001 Quality System



C1300 / REVISED 6-24-15

# TECHNICAL SPECIFICATIONS

## PRODUCT FEATURES

### All Models

- Built-in Menu System for Setup of Configurable Functions
- Autofocus with Manual Override
- Auto Iris with Manual Override
- NTSC/PAL
- Integral Multiprotocol Receiver/Driver
- Autosensing Protocol (Coaxitron®, RS-422 Pelco P and Pelco D); Accepts Competitive Control Protocol with Optional Translator Card
- On-Board Connector for
  - Pelco VC-UTP Video Converter
  - Pelco TXB Series Translator Boards for Use with Hervis and Other Protocols
  - Pelco FS85011A Series dmsr;km;trrg'kbtbrkFactory-Installed Fiber Transmitter Boards
- Software Update and Setup Through Remote Data Port (IPS-RDPE-2)
- AC Line Lock

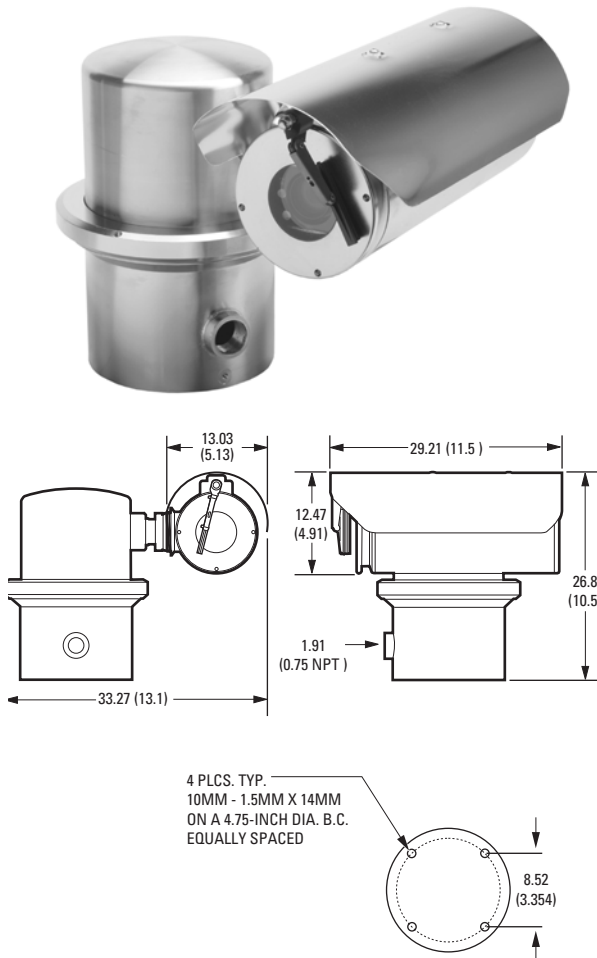
### Fixed Models

- Manual 200° Pan and 180° Tilt Adjustments



VALUES IN PARENTHESES ARE INCHES; ALL OTHERS ARE CENTIMETERS.

### FIXED

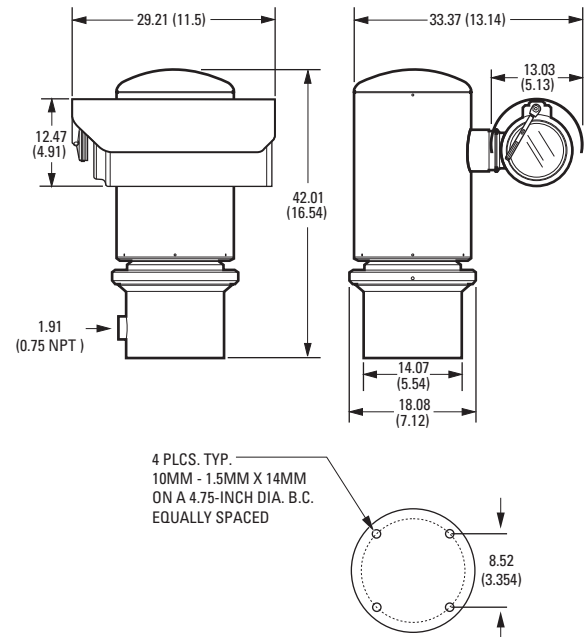


### Pan/Tilt Models

- Variable Speed Pan: 0.1° to 40°/Second with Proportional Pan
- 360° Continuous Pan Rotation
- Tilt Range of +90° to -90° from Horizontal
- ±0.1° Preset Accuracy
- Preset Positioning, Patterns, Multiple Scan Modes
- Configurable Power-up Mode
- Configurable Park
- 80 Presets with Custom Camera Settings and Labels
- 8 Zones (configurable in size) Can Be Labeled with Up to 20 Characters Each or Set to Output Blank Video
- Action on Alarm: Alarms can be individually configured for 3 priority levels, to initiate a stored pattern, or to go to an associated preset when received
- Resume After Alarm: Allows the pan/tilt to return to a previously configured state after alarm acknowledgment or to its previous position before alarm
- Patterns: Up to 4, on-screen, user-defined configurable patterns; includes pan, tilt, zoom, and preset functions
- Proportional Pan/Tilt: Continually decreases pan and tilt speeds in proportion to depth of zoom
- Variable Scan Speed: Scan speed can be configurable between 1° and 40°/sec
- Configurable Limit Stops for Auto/Random/Frame Scan Modes

**Note:** Please contact Pelco for information on the dimensions of the flameproof joints.

### PAN/TILT



# TECHNICAL SPECIFICATIONS

## GENERAL

Construction	316L stainless steel
Finish	Electropolish
Viewing Window	12.7 mm (0.50-inch) thick, soda-lime tempered glass
Operating Temperature	-60° to 60°C (-76° to 140°F)
Storage Temperature	-20° to 60°C (-4° to 140°F)
Storage Humidity	0% ~ 95% RH (noncondensing)
Pan/Tilt	
Unit Weight	25 kg (55.1 lb)
Shipping Weight	33 kg (73 lb)
Effective Projected Area (EPA)	40.8 square inches
Fixed	
Unit Weight	11.33 kg (24.9 lb)
Shipping Weight	18.14 kg (40 lb)
Effective Projected Area (EPA)	31.1 square inches

## CAMERA/OPTICS

	Day/Night (36X)
Signal Format	NTSC, PAL
Scanning System	2:1 Interlace
Image Sensor	1/4-inch Progressive Scan CCD
Effective pixels	
NTSC	768 (H) x 494 (V)
PAL	752 (H) x 582 (V)
Horizontal Resolution	
NTSC	540 TV lines
PAL	540 TV lines
Lens	f/1.4 (focal length, 3.3 ~ 119 mm optical)
Zoom	36X optical, 12X digital
Configurable Zoom Speed (Optical Range)	2.9/4.2/5.8 seconds
Horizontal Angle of View	57.2° at 3.3 mm wide zoom; 2.5° at 82.8 mm telephoto zoom
Focus	Automatic with manual override
Maximum Sensitivity	
NTSC*	0.55 lux at 1/60 sec shutter ( <b>color</b> ); 0.018 lux at 1/2 sec shutter ( <b>color</b> ); 0.055 lux at 1/60 sec shutter ( <b>B-W</b> ); 0.0018 lux at 1/2 sec shutter ( <b>B-W</b> )
PAL*	0.45 lux at 1/50 sec shutter ( <b>color</b> ); 0.015 lux at 1/1.5 sec shutter ( <b>color</b> ); 0.045 lux at 1/50 sec shutter ( <b>B-W</b> ); 0.0015 lux at 1/1.5 sec shutter ( <b>B-W</b> )
Sync System	Internal/AC line lock, phase adjustable using remote control, V-Sync*
White Balance	Automatic with manual override†
Shutter Speed	Automatic (electronic iris)/Manual
NTSC	1/2 ~ 1/30,000*
PAL	1/1.5 ~ 1/30,000*
Iris Control	Automatic Iris Control with manual override*
Gain Control	Automatic/OFF*
Video Output	1 Vp-p, 75 ohms
Video Signal to Noise	>50 dB

\*All values measured at 27 dB gain.

† Manual control of camera setup functions can be done with CM6700, CM6800, CM9760, CM9770, CM9780, KBD200A, KBD300A, and MPT9500 controllers. Manual control of cameras cannot be done with CM7500, MPT9000, or KBD9000 controllers.

## ELECTRICAL


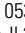
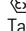
Input Voltage	24 VAC or 100 to 240 VAC, 50/60 Hz
Input Voltage Range	±10%
Power Consumption	Maximum 60 W (120 VA) per system
Heater and Defroster	Microprocessor controlled
Electrical Connections	6-foot pigtail wire harness with connections for power, video, data control, alarm inputs, and auxiliary outputs
Auxiliary Outputs	3 N/O or N/C relays, 32 VDC, 0.5 A. Relay 3 is allocated specifically for an external washer (not supplied by Pelco).
Alarm Inputs	7

## MECHANICAL

Cable Entry	One 1.91 cm (0.75-inch NPT) threaded opening; one explosionproof sealable fitting supplied
Pan Movement*	360° Continuous pan rotation
Vertical Tilt*	Unobstructed +90° to -90°
Variable Pan/Tilt Speed*	
Pan	0.1° to 40°/sec variable-speed operation
Tilt	0.1° to 40°/sec variable-speed operation
Preset Speeds*	
Pan	40°/sec
Tilt	40°/sec

\*Only applicable for pan/tilt models.

## CERTIFICATIONS/RATINGS

- FCC
- UL/cUL Listed
- UL/cUL Hazardous Locations Listed per NEC Division and Zone requirement
  - Class I, Groups A, B, C, and D
  - Class II, Groups E, F, G, T6
  - Class I, Zone 1, AEx d IIC
  - AEx tb IIIC T85°C IP66
- BR-Ex d IIC, T6, IP66
- UL-BR 13.0060X
- IECEx UL 11.0007X
- Ex d IIC T6 Gb
- Ex tb IIIC T85°C Db IP66
- DEMKO 04 ATEX 0413858X
-  0539  II 2 G Ex d IIC, T6 Gb
-  II 2 D Ex tb IIIC T85°C Db IP66
- Tamb -60°C to 60°C
- NEPSI-China, Ex d IIC, T5, Cert No. GYJ05584
- C-Tick
- S Mark for Argentina
- Meets NEMA Type 4X standards
- Lloyd's Register Type Approval: Marine, offshore, and industrial installations for use in environmental categories ENV1, ENV2, and ENV5; Certificate No. 06/60001

# RELATED PRODUCTS

## RECOMMENDED MOUNTS

WXM100	Wall mount designed to mount the ExSite Series system directly to a load-bearing vertical surface
PXM100	Pedestal mount designed to mount an ExSite Series system directly to a horizontal surface in either an upright or inverted position
CMXM100	Corner adapter for use with the WXM100 to mount an ExSite Series system to the corner of a structure
PAXM100	Pole adapter for use with the WXM100 to mount a system to a vertical pole or with a PXM100 to mount a system to a horizontal pole; recommended pole diameter is 10.16 to 22.86 cm (4 to 9 inches)

## GENERAL

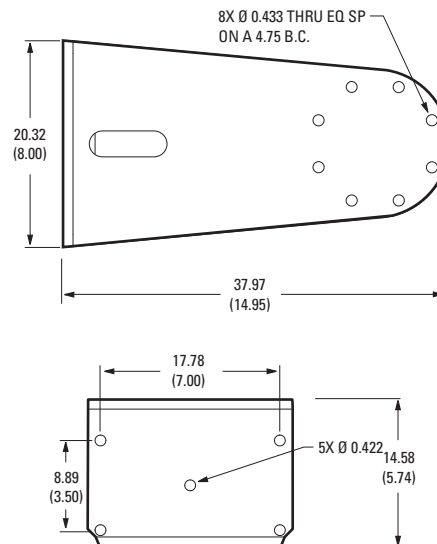
Construction	
Mounts	Electropolished 304 stainless steel
PAXM100 Mounting Straps	316 stainless steel
Maximum Load	
WXM100	33.00 kg (73 lb)
CMXM100	38.50 kg (85 lb)
PAXM100	40.00 kg (88 lb)
PXM100	35.83 kg (79 lb)
Unit Weight	
WXM100	5.62 kg (12.4 lb)
CMXM100	3.45 kg (7.6 lb)
PAXM100	4.17 kg (9.2 lb)
PXM100	0.60 kg (1.3 lb)
Shipping Weight (approximate)	
WXM100	7.71 kg (17 lb)
CMXM100	5.89 kg (13 lb)
PAXM100	6.35 kg (14 lb)
PXM100	1.81 kg (4 lb)

## MECHANICAL

Mounting Method	Recommended Mounting Surface	Recommended Hardware
WXM100, CMXM100*, and PXM100	Solid concrete with the recommended strength of 3,600 psi or 25 Mpa	Five 3/8-16 x 1-9/16-inch long stainless steel drop-in anchors and five 3/8-16 x 1.0-inch thread length, stainless steel hex head bolts with stainless steel lock washers (not supplied)
	Steel I beam with a minimum of 1/8-inch wall	Five 3/8-16 x 1.0-inch thread length, stainless steel hex head bolts with stainless steel lock washers and 3/8-16 stainless steel nuts (not supplied)
PAXM100*	Steel pole with a diameter of 4 to 9 inches (10.16 to 22.86 cm)	Four 5/8-inch wide x 40-inch (101.6 cm) long stainless steel straps to attach the adapter to a pole (supplied)

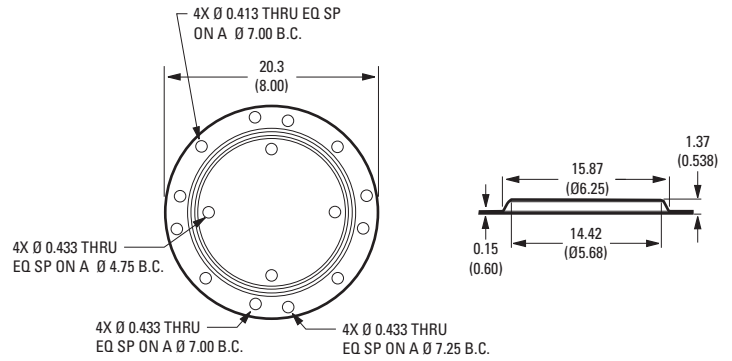
\* Five 3/8-16 x 1.0-inch thread length, stainless steel hex head bolts with lock washers are supplied with the CMXM100 and PAXM100 to be used with the WXM100 wall mount or PXM100 pedestal mount.

### WXM100 WALL MOUNT

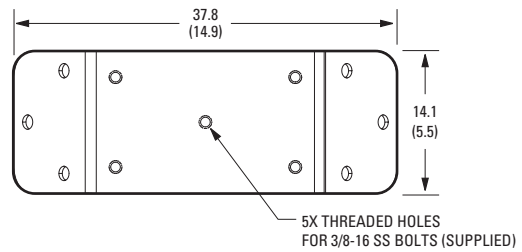
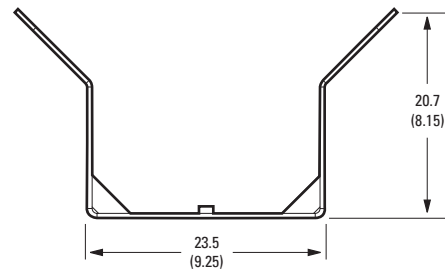
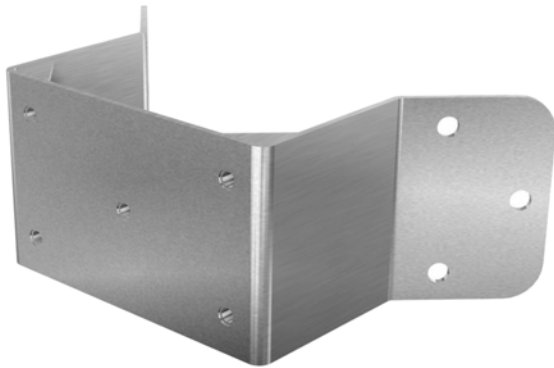


# RELATED PRODUCTS

## PXM100 PEDESTAL MOUNT

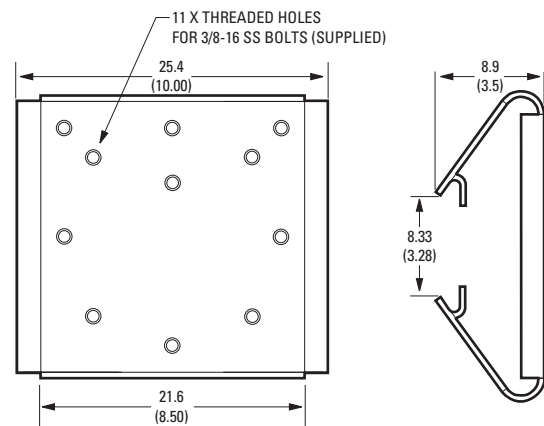


## CMXM100 CORNER ADAPTER



**Note:** Designed for use with a WXM100 wall mount.

## PAXM100 POLE ADAPTER



**Note:** Designed for use with a WXM100 to mount a system to a vertical pole or a PXM100 to mount the system to a horizontal pole. Recommended pole diameter is 10.16 to 22.86 cm (4 to 9 inches).

# MODEL NUMBERS

## SYSTEM MODEL NUMBERS

Model		Format	24 VAC	100-240 VAC
Pan/Tilt	Standard	NTSC PAL	IPXSM3036-2 IPXSM3036-2X	IPXSM3036-7 IPXSM3036-7X
	With Wiper*	NTSC PAL	IPXSM3136-2 IPXSM3136-2X	IPXSM3136-7 IPXSM31367X
Fixed	Standard	NTSC PAL	EHXM3036-2 EHXM3036-2X	EHXM3036-7 EHXM3036-7X
	With Wiper*	NTSC PAL	EHXM3136-2 EHXM3136-2X	EHXM3136-7 EHXM3136-7X

## COMPONENT MODEL NUMBERS

Power Module	PTZ or Enclosure	Day/Night 420X Camera Module
IPXSM-2 24 VAC IPXSM-7 100 to 240 VAC	IPXSMPT30 PTZ No Wiper	IPXSM3036 NTSC, no wiper IPXSM3036X PAL, no wiper
	IPXSMPT31 PTZ With Wiper*	
	EHXM30 Fixed No Wiper	IPXSM3136 NTSC, with wiper* IPXSM3136X PAL, with wiper*
	EHXM31 Fixed With Wiper*	

\*When cameras with wipers are in full wide zoom or 1X zoom, the wiper is visible in the upper-right corner of the video.

## OPTIONAL ACCESSORIES

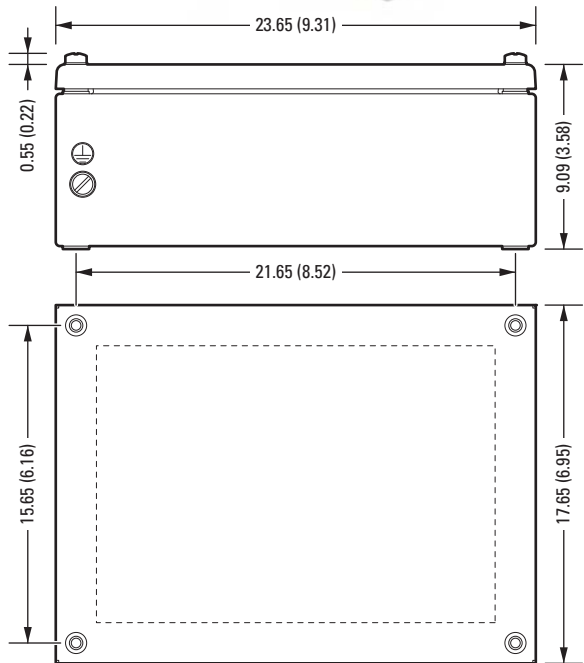
TXB Series†	Translator boards for AD Manchester, Hernis, Bosch® (Philips®, Burle), Sensormatic®, TASS, Vicon™, and NTCIP™ protocols.
IPS-CABLE	Remote monitor cable and software kit.
IPS-RDPE-2†	Remote data port. 24 VAC, wall/pole mount video/data breakout box. Allows ground-level control/configuration when used with the IPS-CABLE.
VC-UTP	Converts video for use with unshielded twisted pair (UTP); cannot be used simultaneously with TXB translator boards.
FS85011A Series†	Factory-installed fiber transmitter sends one unidirectional composite video channel and one bidirectional data channel over on multimode or single-mode fiber optic cable. Supported models include FS85011AMSTEX, FS85011ASSTEX, and FS85011ASFCEX.
EXAC	Factory-installed 1.5 m (5 ft) increased safety (Ex e) potted cable interface and junction box with flexible armored conduit and screw-down terminal for quick connection and easy installation.

†If TXB or FS85011A boards are installed, remote upload of system software will not be possible.

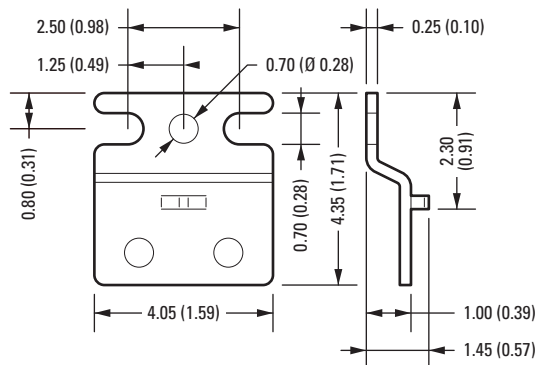


VALUES IN PARENTHESES ARE INCHES; ALL OTHERS ARE CENTIMETERS.

### EXAC JUNCTION BOX



### EXAC MOUNTING BRACKET



### Pelco by Schneider Electric

3500 Pelco Way, Clovis, California 93612-5699 United States

USA & Canada Tel (800) 289-9100 Fax (800) 289-9150

International Tel +1 (559) 292-1981 Fax +1 (559) 348-1120

www.pelco.com www.pelco.com/community

Pelco, the Pelco logo, and other trademarks associated with Pelco products referred to in this publication are trademarks of Pelco, Inc. or its affiliates. ONVIF and the ONVIF logo are trademarks of ONVIF Inc. All other product names and services are the property of their respective companies.

Product specifications and availability are subject to change without notice. ©Copyright 2015, Pelco, Inc. All rights reserved.