

PMC Series Mounts

WALL/CEILING/RACK MOUNTS, MONITORS

Product Features

- Single Swing-Arm Wall Mount
- For Use with VESA®-Compliant Monitors and Selected PMCL500 Series LCD Monitors
- Rack Mounts for All 200/300/400 Series LCD Monitors
- Fixed and Tilt Wall Mount for PMCL524F, PMCL532F, PMCL542F, PMCL547F, and PMCL552F Monitors
- VESA-Compliant Wall and Ceiling Mounts
- Can Be Used with Pelco Series LCD Monitors
- Unique Tilt/Swivel Head Design Ensures Optimum Viewing Angle
- Easy to Install
- Aluminum or Steel Construction
- For Indoor Applications Only



PMCL-WM1A SINGLE-ARM WALL MOUNT AND PMCL SERIES MONITOR

Pelco's family of monitor mounts has been designed for use with VESA®-compliant monitors. Mounts for the **PMCL 200/300/400/500 Series** monitors include several wall and ceiling mounts. Three rack mounts are available for 200/300/400 Series monitors. Many of the mounts feature a unique tilt/swivel capability, which allows an LCD monitor to be swiveled 360 degrees for portrait or landscape viewing and tilted 35 degrees up or down. This tilt/swivel quality ensures the proper viewing angle in any application. Made from heavy-duty aluminum, these mounts are designed to support up to 90 pounds in any indoor installation.

The **PMCL-WM** and **PMCL-WMT** are two-piece wall mounts. One piece attaches to the rear of any monitor, and the other piece fastens to a wall. The monitor then slides into the V-shaped piece on the wall, making installation quick and easy. A setscrew secures the two sections together. The **PMCL-WMF** is a flat wall mount used for Full High Definition (FHD) monitors. The **PMCL-WMT** is equipped with tilt/swivel capabilities, while the **PMCL-WMTF** is tilt only for FHD monitors.

The **PMCL-WM1A** is a single-arm wall mount that is equipped with convenient tilt/swivel swing arms, which provides greater viewing flexibility.

The tilt/swivel **PMCL-CMP** allows an LCD monitor to be mounted from the ceiling. It is equipped with an adjustable 15- to 30-inch (38 to 76 cm) telescoping pole. The **PMCL-CM** is a similar ceiling mount that does not include a pole. This mount allows a customer to purchase any length of 1.5-inch NPT threaded pipe for use in applications with higher ceilings. Both of these ceiling mounts can also be used with Pelco's MRCA ceiling mount.

The **PMCL-VAF** is an adapter plate that attaches to the **PMCL-CM** ceiling mount and **PMCL-CMP** ceiling mount with pole. This adapter plate allows the mounts to be used with larger format monitors, such as Pelco's **PMCL542F** and **PMCL547F** monitors. It accommodates monitors with 600 x 400 mm hole patterns.

The **PMCL-V200** is an adapter plate that attaches to the **PMCL-WM**, **PMCL-WMT**, **PMCL-WM1A**, **PMCL-CM**, and **PMCL-CMP**. This adapter plate allows the mounts to be used with the **PMCL532F** larger format monitor. It also accommodates monitors with 200 x 200 mm hole patterns.

There are three rack mount kits for installing monitors in standard 19-inch (48 cm) equipment racks: the **PMCL-17ARM**, **PMCL-19ARM**, and **PMCL-19WRM**, which accommodate the 17-inch (43 cm), 19-inch (48 cm), and the 19-inch (48 cm) wide monitors, respectively. These mounts allow the monitor to tilt up or down for optimum viewing.



TECHNICAL SPECIFICATIONS

WALL MOUNTS

MODELS

PMCL-WMT	Tilt/swivel single-arm wall mount
PMCL-WM	Fixed wall mount
PMCL-WM1A	Tilt/swivel single-arm wall mount
PMCL-WMTF	Tilt wall mount for large FHD monitors
PMCL-WMF	Flat wall mount for large FHD monitors

MECHANICAL

Swivel Adjustment	360° (PMCL-WMT, PMCL-WM1A only)
Tilt Adjustment	35° (PMCL-WMT, PMCL-WM1A only)

CERTIFICATIONS

UL/cUL Listed	PMCL-WMT and PMCL-WM1A only
---------------	-----------------------------

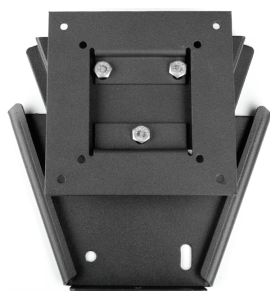
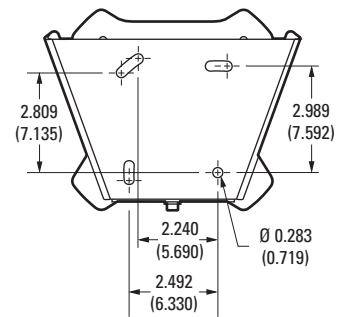
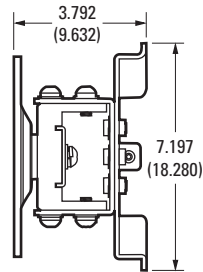
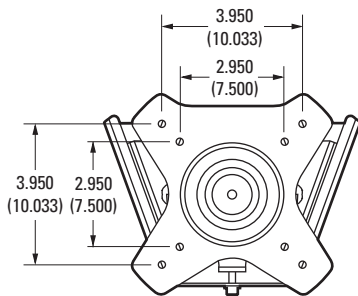
GENERAL

Suggested Mounting Method	Mounting hardware is not supplied.
PMCL-WM, PMCL-WMT	Secure to solid surface with four 1/4-inch diameter x 2-inch wedge anchors. In applications where wall studs are encountered, use four 1/4-inch diameter x 2-inch lag bolts or two lag bolts and two 1/4-inch diameter x 2-inch toggle bolts.
PMCL-WM1A	Secure to solid surface with three 5/16-inch diameter x 2-inch wedge anchors or use three 5/16-inch diameter x 2-inch lag bolts in applications where wall studs are encountered.
PMCL-WMF, PMCL-WMTF	Attach the mount bracket to a solid wall using eight screws that are able to hold 264.6 lb (120 kg).

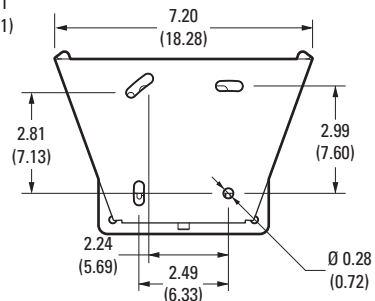
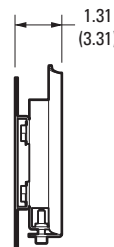
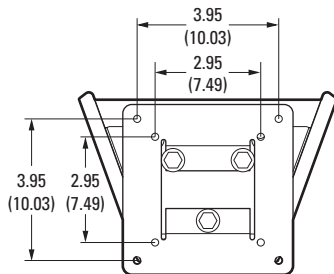
Maximum Load	
PMCL-WM	35.00 lb (15.88 kg)
PMCL-WMT, PMCL-WM1A	90.00 lb (40.82 kg)
PMCL-WMF	264.55 lb (120.00 kg)
PMCL-WMTF	264.55 lb (120.00 kg)
Construction	
PMCL-WM, PMCL-WMT, PMCL-WM1A	Aluminum
PMCL-WMF, PMCL-WMTF	Steel
Finish	Black polyester powder coat
Weight	Unit Shipping
PMCL-WMT	3.05 lb (1.38 kg) 6 lb (2.72 kg)
PMCL-WM	1.60 lb (0.73 kg) 3 lb (1.36 kg)
PMCL-WM1A	3.55 lb (1.61 kg) 6 lb (2.72 kg)
PMCL-WMF	11.24 lb (5.10 kg) 13 lb (5.89 kg)
PMCL-WMTF	4.80 lb (2.17 kg) 6 lb (2.72 kg)



PMCL-WMT



PMCL-WM

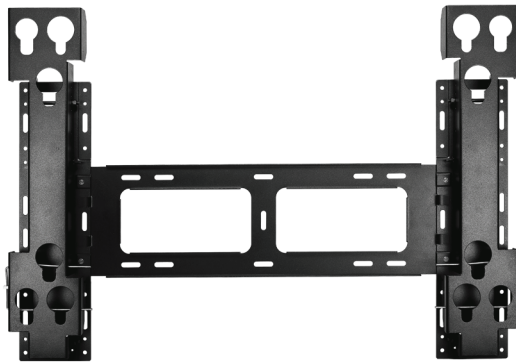
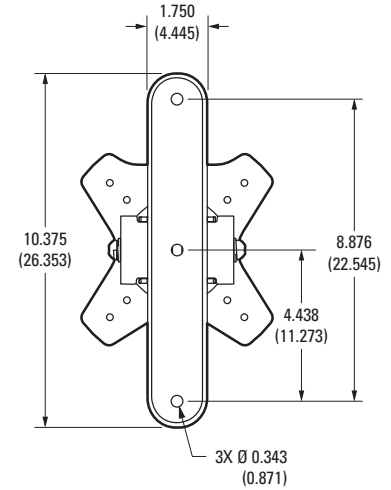
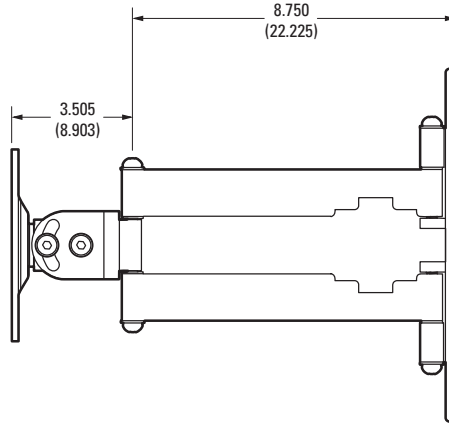
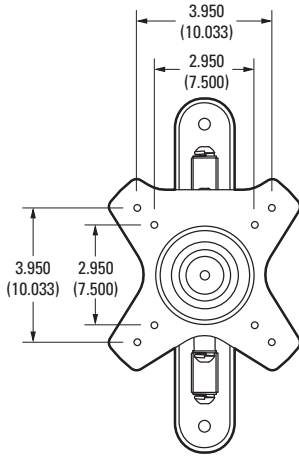


NOTE: VALUES IN PARENTHESES ARE CENTIMETERS; ALL OTHERS ARE INCHES.

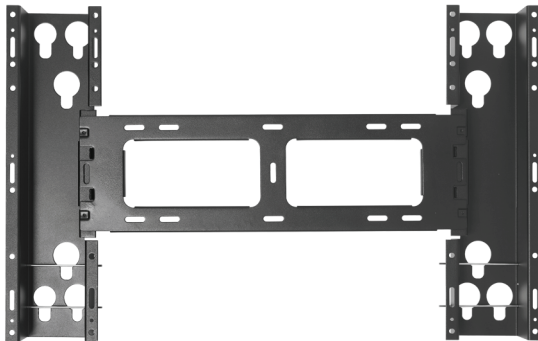
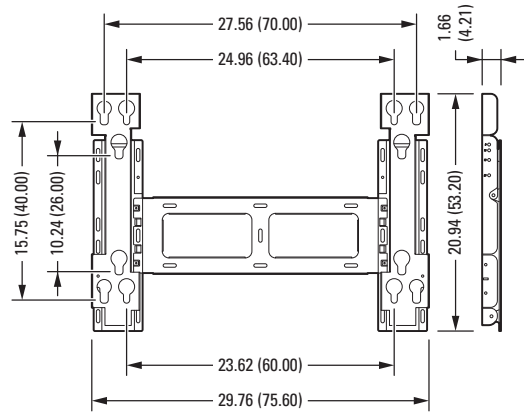
TECHNICAL SPECIFICATIONS



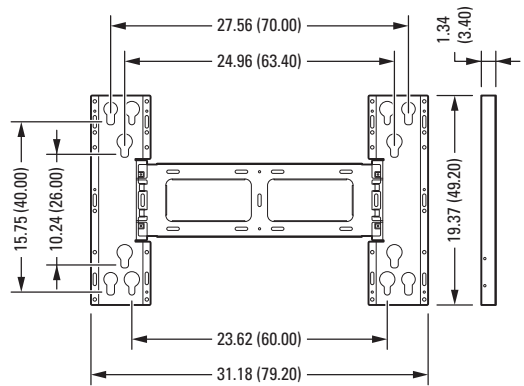
PMCL-WM1A



PMCL-WMTF



PMCL-WMF



NOTE: VALUES IN PARENTHESES ARE CENTIMETERS; ALL OTHERS ARE INCHES.

TECHNICAL SPECIFICATIONS

CEILING MOUNTS

MODELS

PMCL-CM	Ceiling mount and VESA head for LCD monitors
PMCL-CMP	Ceiling mount and VESA head with telescoping pole for LCD monitors

MECHANICAL

Swivel Adjustment	360°
Tilt Adjustment	90°

GENERAL

Suggested Mounting Method			
Wood Beam	2, 1/4 x 2-inch wood screws (not supplied)		
Metal I-Beam	4, 1/4-20 x 1-inch machine screws (not supplied)		
Concrete	4, 1/4 x 1.75-inch concrete wedge anchors (not supplied)		
Maximum Load	90 lb (40.82 kg)		
Construction	Aluminum		
Finish	Black polyester powder coat		
Weight	Unit	Shipping	
	PMCL-CM	2.70 lb (1.22 kg)	5 lb (2.27 kg)
	PMCL-CMP	5.05 lb (2.29 kg)	8 lb (3.63 kg)

CERTIFICATIONS

- UL/cUL Listed

RACK MOUNTS

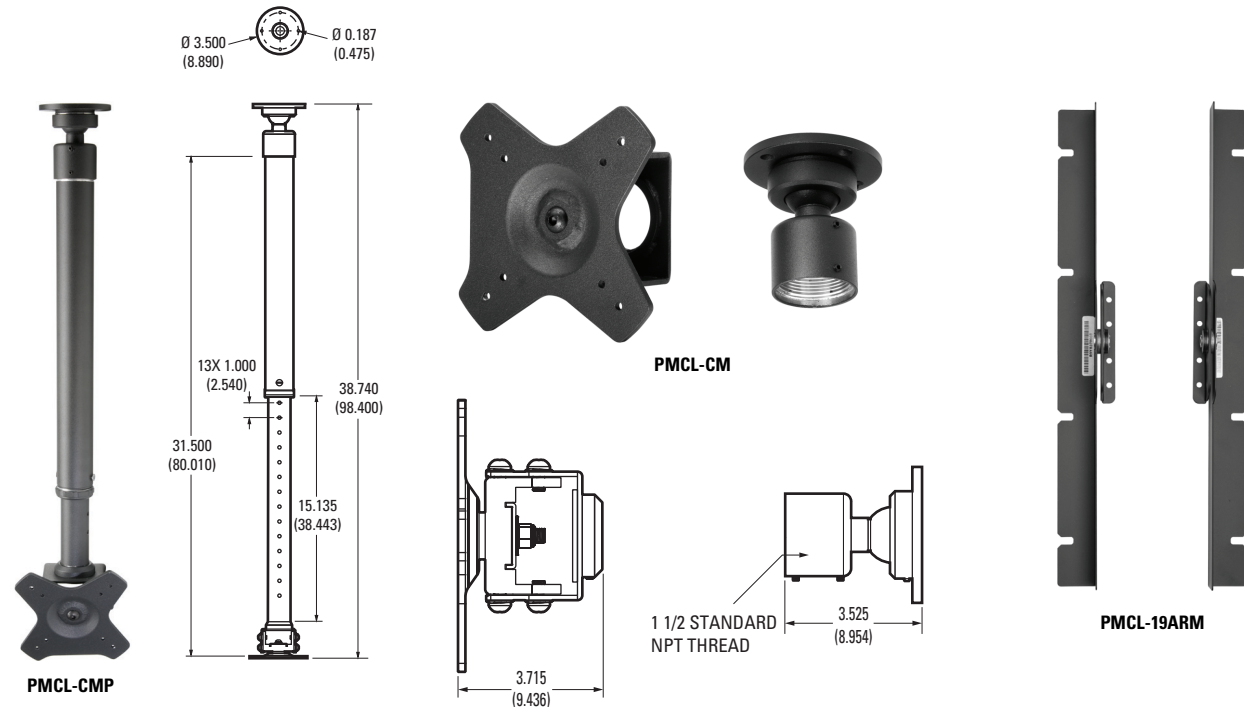
MODELS

PMCL-17ARM	Kit for mounting a 17-inch (43 cm) monitor in a 19-inch (48 cm) equipment rack
PMCL-19ARM	Kit for mounting a 19-inch (48 cm) monitor in a 19-inch (48 cm) equipment rack
PMCL-19WRM	Kit for mounting 19-inch (48 cm) wide monitor in a 19-inch (48 cm) equipment rack

Note: The kits include two brackets, eight M4X0.7 screws, and one installation manual.

GENERAL

Construction	Mild steel	
Finish	Black polyester powder coat	
Dimensions		
	PMCL-17ARM	1.95" D x 18.90" W x 13.91" H (4.96 x 48.00 x 35.33 cm)
	PMCL-19ARM	1.95" D x 18.90" W x 15.67" H (4.96 x 48.00 x 39.79 cm)
	PMCL-19WRM	1.95" D x 18.90" W x 13.90" H (4.96 x 48.00 x 35.31 cm)
Unit Weight	1.10 lb (0.50 kg)	
Shipping Weight	Consult the factory	



NOTE: VALUES IN PARENTHESES ARE CENTIMETERS; ALL OTHERS ARE INCHES.

TECHNICAL SPECIFICATIONS

ADAPTER

MODEL

PMCL-V200	Converts 200 x 200 mm to 100 x 100 mm VESA pattern. (Required for use with the PMCL532F and Pelco monitor mounts with 200 x 200 VESA pattern.)
PMCL-VAF	Converts a 600 x 400 mm to 100 x 100 mm VESA pattern. (Required for use with PMCL542F, PMCL547F, and Pelco monitor mounts with a 600 x 400 mm pattern.)

GENERAL

Suggested Mounting Method

PMCL-V200	Secure to PMCL mount using 10-32 x 0.75-inch Phillips screws (supplied)
PMCL-VAF	Secure to PMCL mount using M16 x 12 mm screws (supplied)

Construction

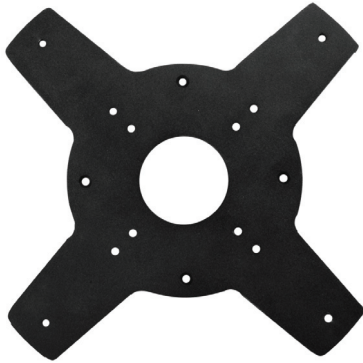
PMCL-V200	Aluminum
PMCL-VAF	Steel

Finish

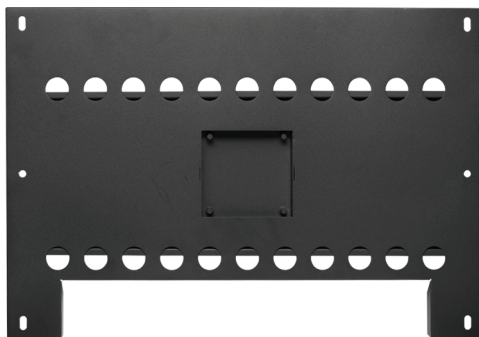
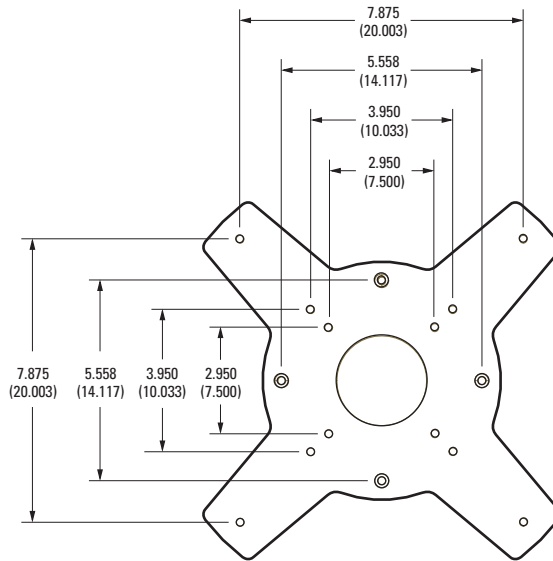
Black polyester powder coat

Weight

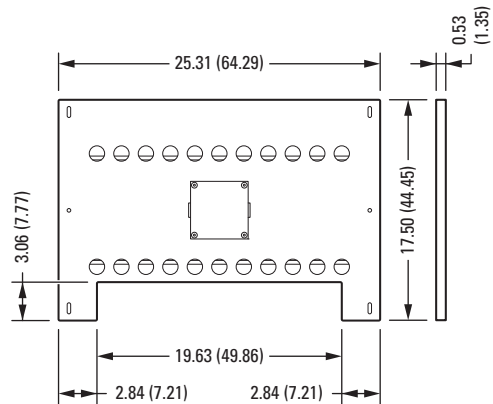
	Unit	Shipping
PMCL-V200	1.0 lb (0.45 kg)	3 lb (1.36 kg)
PMCL-VAF	9.9 lb (4.49 kg)	12 lb (5.44 kg)



PMCL-V200



PMCL-VAF



NOTE: VALUES IN PARENTHESES ARE CENTIMETERS; ALL OTHERS ARE INCHES.

LCD MOUNT SELECTION GUIDE

Model	Description	Compatible Monitors										
		PMCL219A	PMCL317A	PMCL319A	PMCL319W	PMCL417A	PMCL419A	PMCL524F	PMCL532F	PMCL542F	PMCL547F	PMCL552F
PMCL-WM	Fixed Wall Mount	•	•	•	•	•	•	•	•*			
PMCL-WMT	Tilt/Swivel Wall Mount	•	•	•	•	•	•	•	•*			
PMCL-WMF	Flat Wall Mount for FHD Monitors									•	•	•
PMCL-WMTF	Tilt Wall Mount									•	•	•
PMCL-WM1A	Tilt/Swivel Single-Arm Wall Mount	•	•	•	•	•	•	•	•*			
PMCL-CM	Ceiling Mount	•	•	•	•	•	•	•	•*	•†	•†	
PMCL-CMP	Ceiling Mount with Pole	•	•	•	•	•	•	•	•*	•†	•†	
PMCL-17ARM	17-inch Monitor Rack Mount		•			•						
PMCL-19ARM	19-inch Monitor Rack Mount	•		•			•					
PMCL-19WRM	19-inch Wide Monitor Rack Mount				•							
PMCL-VAF	600 mm X 400 mm Adapter Plate									•	•	
PMCL-V200	200 mm X 200 mm Adapter Plate								•			

*PMCL-VAF adapter plate needed.

†PMCL-V200 adapter plate needed.

Pelco, Inc. Worldwide Headquarters:

3500 Pelco Way, Clovis, California 93612-5699 USA

USA & Canada Tel: (800) 289-9100 • FAX: (800) 289-9150

International Tel: +1 (559) 292-1981 • FAX: +1 (559) 348-1120

www.pelco.com

Pelco, the Pelco logo, and other trademarks associated with Pelco products referred to in this publication are trademarks of Pelco, Inc. or its affiliates. All other product names and services are the property of their respective companies.

Product specifications and availability are subject to change without notice.

©Copyright 2010, Pelco, Inc. All rights reserved.