

# PT1280P/PT1280SL Pan/Tilt

## OUTDOOR, HEAVY DUTY, FEEDTHROUGH

### Product Features

- 120 VAC Operation
- Heavy Duty Adjustable Worm-Gear Final Drive
- Prewired for Zoom Lens, Camera and Enclosure Power, and Video
- 360° Pan Rotation Model Available
- Capable for Auto/Random Scan Operation
- Indoor/Outdoor Applications
- Maximum Load 100 lb (45.4 kg)

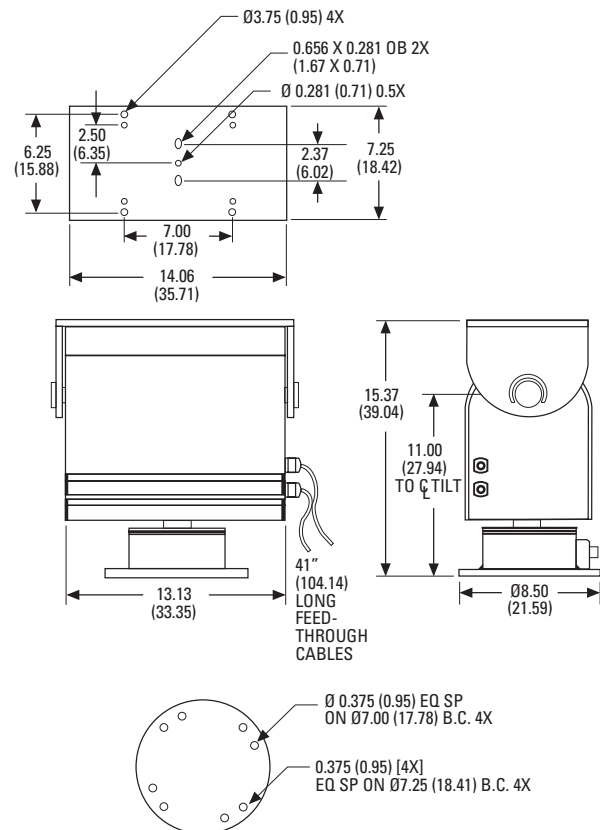
The **PT1280P/PT1280SL** are heavy duty, indoor/outdoor pan/tilts capable of handling loads up to 100 pounds (45.4 kg). They feature rugged high torque AC motors with adjustable worm-gear final drives to ensure long operational life, as well as drift-free operation.

The **PT1280P** Series is capable of auto/random scan operation when used with a Pelco solid-state auto/random scan control. No additional conductors, micro switches, or relays are required for auto scan operation.

These pan/tilts are factory prewired for feedthrough of all control functions: pan/tilt, motorized zoom lens, 24 VAC camera power, enclosure accessories, and video. Connections are made at the input connector, eliminating the need for wiring harnesses in the field. This feature greatly reduces installation time, while increasing the reliability and serviceability of the system.

The **PT1280SL** includes a slip ring option that allows 360-degree pan rotation.

These units can be mounted on Pelco's universal wall/pedestal mounts: the PM2000/PM2010 for pedestal mounting and the WM2000 with PA2010 adapter plate and ST1 support strut or WM3026 for wall mounting. The EH5700 Series large environmental enclosure is also compatible for use with this pan/tilt series.



NOTE: VALUES IN PARENTHESES ARE CENTIMETERS; ALL OTHERS ARE INCHES.



# TECHNICAL SPECIFICATIONS

## MODELS

|             |  |
|-------------|--|
| PT1280P     | Heavy duty pan/tilt, 120 VAC   |
| PT1280P/PP  | Same as PT1280P except has preset positioning option; requires preset control  |
| PT1280SL    | Heavy duty pan/tilt with slip ring option (360° pan rotation)                  |
| PT1280SL/PP | Same as PT1280SL except has preset positioning option; requires preset control |

## ELECTRICAL

|                             |   |
|-----------------------------|---|
| Input Voltage               | 120 VAC, 60 Hz  |
| Pan/Tilt Power Requirements |   |
| Running                     | 0.48 A (57.5 VA)  |
| Starting                    | 0.60 A (72.5 VA)  |
| Maximum Current             | 2 A per conductor (PT1280SL and PT1280SL/PP models only)  |
| Connectors                  | AMP CPC type (mate supplied)  |
| Motors                      | Two-phase induction type, instantaneous reversing   |
| Limit Switches              | 5 A each (pan and tilt); external adjustment  |
| Conductor Requirements      | 6 or 7, unshielded (functions: left, right, up, down, motor common, safety ground); no additional conductors for auto scan when used with solid-state control; PP option requires additional 4 conductors |

### Maximum Operating Distances\*

|                           | Cable Size                   | Maximum Distance |
|---------------------------|------------------------------|------------------|
| 6 Conductors              | 20 AWG (0.5mm <sup>2</sup> ) | 489 ft (149 m)   |
|                           | 18 AWG (1.0mm <sup>2</sup> ) | 778 ft (237 m)   |
|                           | 16 AWG (1.5mm <sup>2</sup> ) | 1,235 ft (376 m) |
| 7 Conductors <sup>†</sup> | 20 AWG (0.5mm <sup>2</sup> ) | 978 ft (298 m)   |
|                           | 18 AWG (1.0mm <sup>2</sup> ) | 1,556 ft (474 m) |
|                           | 16 AWG (1.5mm <sup>2</sup> ) | 2,470 ft (752 m) |

\*Distances are calculated with both motors (pan and tilt) running and assuming a 10% voltage drop.

<sup>†</sup> Using 2-wire motor common.

## MECHANICAL

|              |   |
|--------------|---|
| Pan          | Movement in horizontal plane:<br>0 to 355° (PT1280P); 360° (PT1280SL)               |
| Speed        | 6°/sec ±1°  |
| Torque       | 50 ft-lb with specified voltage   |
| Tilt         | ±90° movement in vertical plane   |
| Speed        | 3°/sec ±0.5°  |
| Torque       | 100 ft-lb with specified voltage  |
| Maximum Load | 100 lb (45.4 kg) at 5 inches (12.7 cm) from tilt table surface to center of gravity |
| Gearing      | Adjustable worm-gear final drive  |
| Bearings     |   |
| Pan          | Heavy duty ball bearings  |
| Tilt         | Oilite bronze bushing   |
| Duty Cycle   | 50% duty cycle; 30 minute rating  |

## GENERAL

|                 |  |
|-----------------|--|
| Construction    | Aluminum casting and plate; all internal parts corrosion protected |
| Finish          | Gray polyester powder coat   |
| Environment     | Indoor/outdoor;<br>-10° to 120°F (-23° to 49°C)                    |
| Unit Weight     | 55 lb (24.9 kg)  |
| Shipping Weight | 60 lb (27.2 kg)  |

## CERTIFICATIONS/RATINGS

- UL Listed
- Meets NEMA Type 3R standards

## OPTIONAL ACCESSORY

|           |  |
|-----------|--|
| FGP/1250P | High speed gearing for pan, 12°/sec (factory installed option) |
|-----------|--|

## RECOMMENDED CONTROLS

|                      |  |
|----------------------|--|
| Coaxitron® or Matrix | Refer to individual specification sheets for information; preset pan/tilt must be used with Coaxitron or matrix control with PP capability and preset receiver |
| MPTAZ Series         | Desktop control (PTZ) with auto/random scan  |

## RECOMMENDED ENCLOSURES

|               |                                |
|---------------|--------------------------------|
| EH5700 Series | Environmental enclosure, large |
|---------------|--------------------------------|

## RECOMMENDED MOUNTS

|                |   |
|----------------|---|
| PA2010         | Adapter plate; required when using WM2000                 |
| PM2000, PM2010 | Ceiling/pedestal mount; maximum load 125 lb (56.7 kg)     |
| ST1            | Support strut for WM2000/PM2000/PM2010                    |
| WM2000         | Wall mount; use with PA2010 adapter and ST1 support strut |
| WM3026         | Wall mount with adjustable head                           |

## ACCESSORIES

|             |  |
|-------------|--|
| LL27 Series | Low light infrared illuminator with 500 W lamp |
|-------------|--|

### Pelco, Inc. Worldwide Headquarters:

3500 Pelco Way, Clovis, California 93612-5699 USA

**USA & Canada** Tel: (800) 289-9100 • FAX: (800) 289-9150

**International** Tel: +1 (559) 292-1981 • FAX: +1 (559) 348-1120

[www.pelco.com](http://www.pelco.com)

Pelco, the Pelco logo, and other trademarks associated with Pelco products referred to in this publication are trademarks of Pelco, Inc. or its affiliates. All other product names and services are the property of their respective companies. Product specifications and availability are subject to change without notice.

©Copyright 2010, Pelco, Inc. All rights reserved.