

# AMX-8008H45-BN

## 8 CH Hybrid DVR



- |    |       |      |         |     |       |     |        |     |     |       |        |
|----|-------|------|---------|-----|-------|-----|--------|-----|-----|-------|--------|
|    |       |      |         |     |       |     |        |     |     |       |        |
| HD | H.265 | DDNS | Network | PTZ | Audio | MIC | Mobile | CMS | USB | Mouse | E-mail |

**AMX-8008H45-BN** is a 8 CH 1080P high definition DVR with ability to connect analog and IP cameras simultaneously, which adopt the standard H.265 high profile compression format and the most advanced SOC technique to ensure real time recording in each channel and realize outstanding robustness of the system.

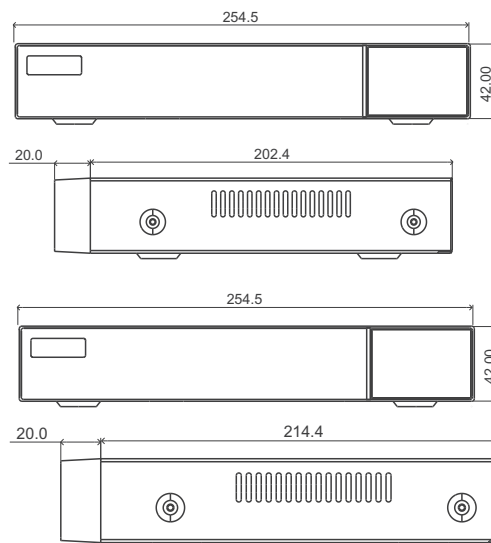
**AMX-8008H45-BN** supports 8 CH video input, 1 CH audio input, simultaneous 8 CH playback. The series of product can meet different security requirements of home, financial, commerce, enterprise, transportation and government, etc.



## Features

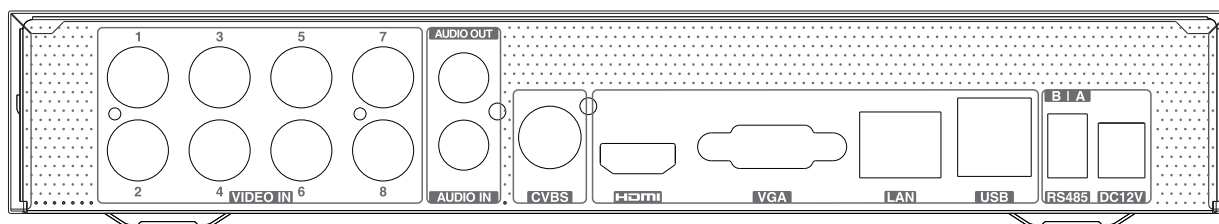
- 8 CH TVI / AHD/CVI 5MP/4MP/1080P/720P/WD1 video input
- 8 CH DVR supports 4 CH 5MP / 4MP / 3MP /1080P / 960P /720P IP video input  
Adopt standard H.265 high profile compression format to get high-quality
- video at much lower bit rate
- Intuitive and user-friendly Graphics User Interface ( GUI ), window style operation
- by mouse
- Multi-mode recording: manual / timed / motion / AI recording
- Playback : 8 CH simultaneously playback
- Search: time slice, time, event, tag search
- Express and flexible backup via USB, network and so on
- Pentaplex: preview, record, playback, backup and remote access
- DHCP, DDNS, PPPoE network protocol
- Remote control via Web or CMS : preview, playback, backup, PTZ and configuration
- Dual stream technology for local storage with high definition, remote network
- transmission and remote surveillance with mobile device Authorization management,
- log review and device status review
- Support 1080P output, true high resolution display
- Support PTZ preset and auto cruise, up to 255 presets and 8 cruises
- Support NAT function and QRCode scanning by mobile phones
- Powerful mobile surveillance by smart phones with iOS and Andriod OS
- 
- 

## Dimensions



## Rear Panel

### ED8008H5-BN



## SPECIFICATIONS

| Model                    |  | ED8008H5-BN   |
|--------------------------|--|---|
| System                   | OS   | Embedded Linux  |
| Video                    | Analog Video Input                         | BNC × 8   |
|                          |  | BNC interface (1.0Vp-p; 75Ω)  |
|                          |  | TVI/AHD/CVI : 5MP/4MP/1080P/720P/WD1  |
|                          | IP Video Input                             | 4CH   |
|                          |  | Up to 5MP@30fps   |
|                          | Total Input                                | 12CH  |
|                          | Output                                     | HDMI × 1 : 1920 × 1080 / 1280 × 1024 / 1024 × 768<br>VGA × 1 : 1920 × 1080 / 1280 × 1024 / 1024 × 768<br>BNC × 1 : CVBS ( used as the main or spot output )               |
| Compression              | H.264/H.265                                |   |
| Multi-screen Display     | 1/4/6/8/9/13/16                            |   |
| Audio                    | Input                                      | RCA × 1   |
|                          | Output                                     | RCA × 1 (linear, 600Ω)  |
|                          | Two-way audio                              | Take up channel one audio input   |
|                          | Compression                                | G.711(U/A)  |
| Record                   | Resolution                                 | 5MP Lite/4MP Lite/1080P/1080P Lite/720P/WD1   |
|                          | Frame Rate                                 | Analog Channel: 5MP Lite : 10fps;<br>4MP Lite/1080P : 12fps (PAL)/15fps (NTSC);<br>1080P Lite/720P/WD1 : 25fps (PAL)/30fps (NTSC)<br>IP Channel: 25fps (PAL)/30fps (NTSC) |
|                          | Bit Rate                                   | 32Kbps ~ 4Mbps  |
|                          | Mode                                       | Manual, timer, motion, smart event  |
| Playback                 | Playback                                   | 8CH   |
|                          | Search                                     | Time slice / time / event / tag search  |
|                          | Smart Search                               | Highlight colors to display the camera record in a certain period of time, different colors refer to different record events  |
|                          | Function                                   | Play, pause, FF, FB, digital zoom, etc.   |
| Alarm                    | Mode                                       | Manual, motion, exception, smart event  |
|                          | Input                                      | No  |
|                          | Output                                     | No  |
| Network                  | Interface                                  | RJ 45 100Mbps × 1   |
|                          | Protocol                                   | TCP/IP, PPPoE, DHCP, DNS, DDNS, UPnP, HTTP, HTTPS, NTP, SMTP  |
|                          | Incoming Bandwidth                         | 32Mbps  |
|                          | Outgoing Bandwidth                         | 60Mbps  |
| Client Connection        | Max. 5 users access                        |   |
| Mobile Device            | OS   | iOS, Andriod  |
| Storage                  | HDD  | SATA × 1, up to 10TB  |
| Backup                   | Local Backup                               | U disk, USB mobile HDD  |
|                          | Network Backup                             | Yes   |
| Port                     | RS 485                                     | RS 485 × 1 (half-duplex)  |
|                          | USB  | USB 2.0 × 2 ( in the rear panel )   |
|                          | Remote Controller                          | Optional  |
| Others                   | Power Supply                               | DC12V / 2A  |
|                          | Consumption                                | ≤8 W( without HDD)  |
|                          | Dimensions(mm)                             | 255× 222× 42( W × D × H )   |
|                          | Working Environment                        | -10~50°C, 10%~90% (humidity)  |
|                          | Certificate                                | CE, FCC   |
| Environmental Protection | Comply with Directive EU RoHS, WEEE, REACH |   |