

# AMX-PDC599HDCVIR

## 5MP HDCVI IR-Fisheye Camera



The 5MP HDCVI fisheye camera adopts a panoramic fisheye lens and high performance image sensor, as well as a 10m IR range, enabling a full overview and superior image details with 5MP resolution. That makes it easy to collect evidence at any time for effective playback and analysis. With the use of advanced algorithms, more than 10+ dewarping modes are available on the XVR (select models) and mobile client. Its panoramic view and 5MP resolution makes the camera an ideal choice for large-size businesses and places such as airports, stadiums, parking lots, and shopping malls.

### Functions

#### 360° Panoramic View

Equipped with a fisheye lens for 360° surround view (ceiling/floor mount) or 180° panoramic view (wall mount) and high resolution with no blind spot. The cameras are able to provide coverage of wide, open areas, such as airports, shopping malls, retail stores, offices and more. So you will get a whole scene just with one fisheye camera.

#### Dewarping Mode

Fisheye dewarping is a function to solve the serious distortion problem of the circular panoramic view and you will use up to 10-modes dewarping mode for different installations with our XVR or on the web. Every dewarping area is adjustable and optional as you want.

#### 4 Signals over 1 Coaxial Cable

HDCVI technology supports 4 signals to be transmitted over 1 coaxial cable simultaneously, i.e. video, audio\*, data and power. Dual-way data transmission allows the HDCVI camera to interact with the XVR, such as sending control signal or triggering alarm. Moreover, HDCVI technology supports PoC for construction flexibility.

\* Audio input is available for some models of HDCVI cameras.

#### Broadcast-quality Audio

Audio information is used as supplementary evidence in video surveillance applications. The HDCVI camera supports audio signal transmission over coaxial cable. In addition, it adopts unique audio processing and transmission technology that best restores source audio and eliminates noise, guaranteeing the quality and effectiveness of collected audio information.

- 1/2.8" 5Megapixel progressive scan CMOS
- Panoramic fisheye lens
- Max. 20fps@5MP
- Built-in Mic
- 120db true WDR, Starlight, 2D&3D NR
- Max. IR length 10m, Smart IR
- DC12V



#### Long Distance Transmission

HDCVI technology guarantees real-time transmission at long distance without any loss. It supports up to 700m transmission for 5MP video via coaxial cable, and up to 300m via UTP cable.\*

\*Actual results verified by real-scene testing in Dahua's test laboratory.

#### Simplicity

HDCVI technology inherits the born feature of simplicity from traditional analog surveillance system, making itself a best choice for investment protection. HDCVI system can seamlessly upgrade the traditional analog system without replacing existing coaxial cabling. The plug and play approach provides full HD video surveillance without the hassle of configuring a network.

#### Smart IR

The camera is designed with microcrystalline LED IR illumination for best lowlight performance. Smart IR is a technology to ensure brightness uniformity in B/W image under low illumination. Dahua's unique Smart IR adjusts to the intensity of camera's infrared LEDs to compensate for the distance of an object, and prevents IR LEDs from overexposing images as the object come closer to the camera.

#### Wide Dynamic Range

Embedded with industry leading wide dynamic range (WDR) technology, vivid pictures are achieved even in the most intense contrast lighting conditions. True WDR (120dB) optimizes both the bright and dark areas of a scene at the same time to provide usable video.

#### Advanced 3DNR

3DNR is noise reduction technology that detects and eliminates random noises by comparing two sequential frames. Dahua's advanced 3DNR technology allows remarkable noise reduction with little impact to sharpness, especially under limited lighting condition. Besides, the advanced 3DNR effectively decreases the band width and saves the storage space.

#### Protection

Supporting  $\pm 30\%$  input voltage tolerance, this camera suits even the most unstable power supply conditions. Its 4KV lightning rating provides protection against the camera and its structure from the effects of outdoor lightning.

## Technical Specification

### Camera

|                          |   |
|--------------------------|---|
| Image Sensor             | 1/2.8" 5MP CMOS                             |
| Effective Pixels         | 2592(H)×1944(V),5MP                         |
| Scanning System          | Progressive                                 |
| Electronic Shutter Speed | PAL:1/4s~1/100,000s<br>NTSC:1/3s~1/100,000s |
| Minimum Illumination     | 0.005Lux/F2.0 (Color), 30IRE,0lux IR on     |
| S/N Ratio                | More than 65dB                              |
| IR Distance              | 10m   |
| IR On/Off Control        | Auto (ICR)/Color/B/W                        |
| IR LEDs                  | 3   |

### Lens

|                      |                         |
|----------------------|-------------------------|
| Lens Type            | Fixed lens / Fixed iris |
| Mount Type           | Board-in                |
| Focal Length         | 1.4mm                   |
| Max Aperture         | F2.0                    |
| Angle of View        | H: 180°, V:180°         |
| Focus Control        | N/A                     |
| Close Focus Distance | 0.2m(7.87")             |

### DORI Distance

Note: The DORI distance is a "general proximity" of distance which makes it easy to pinpoint the right camera for your needs. The DORI distance is calculated based on sensor specification and lab test result according to EN 62676-4 which defines the criteria for Detect, Observe, Recognize and Identify respectively.

|           | DORI Definition      | Distance  |
|-----------|----------------------|-----------|
| Detect    | 25px/m<br>(8px/ft)   | 28m(92ft) |
| Observe   | 63px/m<br>(19px/ft)  | 12m(37ft) |
| Recognize | 125px/m<br>(38px/ft) | 6m(18ft)  |
| Identify  | 250ppm<br>(76px/ft)  | 3m(9ft)   |

### Pan / Tilt / Rotation

|                   |                                     |
|-------------------|-------------------------------------|
| Pan/Tilt/Rotation | Pan: NA<br>Tilt: NA<br>Rotation: NA |
|-------------------|-------------------------------------|

### Video

|              |  |
|--------------|--|
| Resolution   | 5MP (2592×1944)                            |
| Frame Rate   | 20fps@5MP,25/30fps@4MP                     |
| Video Output | 1-channel BNC high definition video output |
| Day/Night    | Auto (Electronic) / Manual                 |
| OSD Menu     | Multi-language                             |

|                 |                 |
|-----------------|-----------------|
| BLC Mode        | BLC / HLC / WDR |
| WDR             | 120dB           |
| Gain Control    | AGC             |
| Noise Reduction | 2D/3D           |
| White Balance   | Auto / Manual   |
| Smart IR        | Auto / Manual   |

### Certifications

|                |   |
|----------------|---|
| Certifications | CE (EN55032, EN55024, EN50130-4)<br>FCC (CFR 47 FCC Part 15 subpartB, ANSI C63.4-2014)<br>UL (UL60950-1+CAN/CSA C22.2 No.60950-1) |
|----------------|---|

### Interface

|       |              |
|-------|--------------|
| Audio | Built-in mic |
|-------|--------------|

### Electrical

|                   |              |
|-------------------|--------------|
| Power Supply      | DC12V ±30%   |
| Power Consumption | 7.3W (IR ON) |

### Environmental

|  |   |
|--|---|
| Operating Conditions                   | -30°C ~ +60°C (-22°F ~ +140°F) / Less than 95% RH<br>* Start up should be done at above -30°C (-22°F) |
| Storage Conditions                     | -30°C ~ +60°C (-22°F ~ +140°F) / Less than 95% RH   |
| Ingress Protection & Vandal Resistance | N/A   |

### Construction

|              |                                 |
|--------------|---------------------------------|
| Casing       | Aluminium + Plastic             |
| Dimensions   | Φ126.2mm x 40.6mm(Φ4.97"x 1.6") |
| Net Weight   | 0.24kg (0.53lb)                 |
| Gross Weight | 0.42kg (0.93lb)                 |

## Ordering Information

| Type        | Part Number          | Description  |
|-------------|----------------------|--|
| 5MP Camera  | HCC5451              | 5MP HDCVI IR-Fisheye Camera                            |
| Accessories | PFB203W              | Wall mount (For use alone or with PFA152-E pole mount) |
|             | PFB110               | Ceiling Mount  |
|             | PFA152-E             | Pole mount (For use with PFB203W wall mount)           |
|             | PFM800-4K            | Passive Video Balun                                    |
|             | PFM800B-4K           | Passive Video Balun                                    |
|             | PFM321               | 12V 1A Power Adapter                                   |
|             | PFM320D-015          | 12V 1.5A Power Adapter                                 |
| PFM300      | 12V 2A Power Adapter |  |

## Dimensions (mm/inch)

Optional:



PFB203W  
Junction box



PFB110  
Ceiling mount



PFA152-E  
Pole mount



PFM800-4K  
Passive Video Balun



PFM800B-4K  
Passive Video Balun



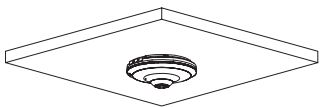
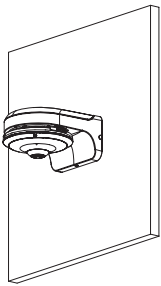
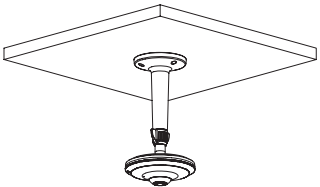
PFM321  
12V 1A Power Adapter



PFM320D-015  
12V 1.5A Power Adapter



PFM300  
12V2A Power Adapter

| Ceiling Mount  | Wall Mount  |
|--|---|
|  | <p>PFB203W</p>                                 |
|  | <p>Ceiling Mount(Extensible)</p> <p>PFB110</p>  |

## Dimensions (mm/inch)

