

SCC78B2/28-U

4K ColorVu POC Fixed Mini Bullet Camera



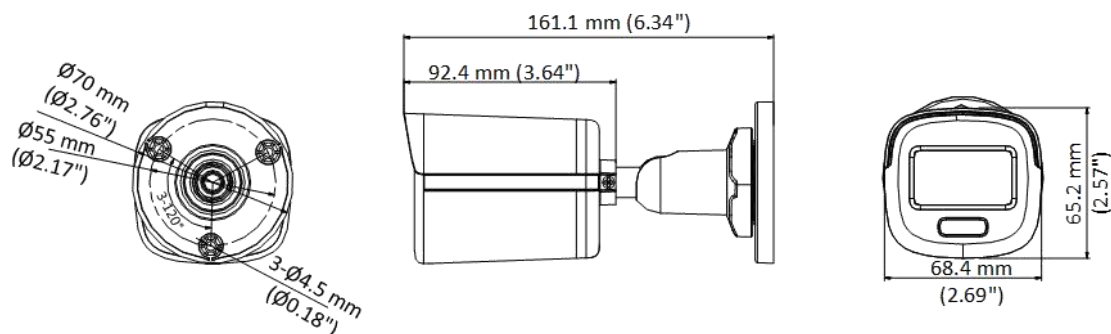
- High quality imaging with 8 MP, 3840 × 2160 resolution
- 24/7 color imaging
- Clear imaging against strong back light due to 130 dB true WDR technology
- 3D DNR technology delivers clean and sharp images
- 2.8 mm fixed focal lens
- Up to 20 m white light distance for bright night imaging
- Water and dust resistant (IP67)



▪ Specification

Specification	
Image Sensor	8 MP CMOS
Signal System	PAL/NTSC
Resolution	3840 (H) × 2160 (V)
Frame Rate	TVI: 8 MP @ 12.5 fps/15 fps, 3K @ 20 fps, 1080P @ 25 fps/30 fps
Min. Illumination	0.0005 Lux@(F1.0, AGC ON), 0 Lux with white light
Shutter Time	PAL: 1/12.5 s to 1/50,000 s; NTSC: 1/15 s to 1/50,000 s
Lens	2.8 mm fixed focal lens
Field of View	2.8 mm, horizontal FOV: 110°, vertical FOV: 59°, diagonal FOV: 131°
Lens Mount	M16
Light Alarm	Solid Light Alarm (White Light)
Day & Night	Color
WDR (Wide Dynamic Range)	≥130 dB
Angle Adjustment	Pan: 0° to 360°, Tilt: 0° to 90°, Rotation: 0° to 360°
Menu	
White Light	Auto/Off
Image Mode	STD/HIGH-SAT/HIGHLIGHT
AGC	Yes
Day/Night Mode	Color
White Balance	Auto/Manual
AE (Auto Exposure) Mode	WDR, BLC, HLC, Global, HLS
Privacy Mask	4 programmable privacy masks
Motion Detection	4 programmable motion areas
Noise Reduction	3D DNR/2D DNR
Language	English
Function	Brightness, Contrast, Mirror, Sharpness, Anti-Banding, Smart Light
Interface	
Video Output	1 HD analog output
General	
Operating Conditions	-40°C to 60°C (-40°F to 140°F), Humidity: 90% or less (non-condensing)
Power Supply	12 VDC ± 25%/PoC.at <i>*You are recommended to use one power adapter for one camera, and use 2-pin power supply for long-distance power supply.</i>
Consumption	Max. 3.6 W
Protection Level	IP67
Material	Metal
White Light Range	Up to 20 m
Communication	ENS Vision
Dimension	161.1 mm × 70 mm × 70 mm (6.34" × 2.76" × 2.76")
Weight	Approx. 443.5 g (0.98 lb.)

▪ Dimension

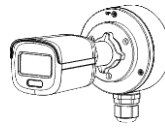


▪ Accessory

▪ **Optional**

ES1280ZJ-XS

Junction box



▪ **Available Model**

SCC78B2/28-U