

# Evolution 05 Mini 360° Outdoor Camera

The next step in 360° total situational awareness

## 5 MP sensor and no moving parts

- Constant 360° surveillance with no blind spots
- No moving parts, no maintenance and silent operation
- Up to 30 fps video stream at 1 MP and ¼ MP
- 0.2 lux minimum illumination and electronic WDR
- PoE powered
- 3-years warranty

## Advanced features

- microSD card slot for local event recording
- Configurable privacy regions
- Polygonal Video Motion Detection regions

## Miniature in size and outdoor ready

- Simple and easy installation
- IP66 rated enclosure for weather protection
- IK10 rating for vandalism protection
- EN50155 / EN45545 transport certification
- RJ45 connection available
- Range of accessories provide multiple mounting possibilities including ceiling, wall, pendant and pole
- Enclosure available in Black and White



## Extensive VMS/NVR platform integration with Oncam SDK

- Market leading Oncam 3D dewarping software
- Full Live and retrospective dewarping available
- Camera features are accessible through VMS platforms
- Simultaneous multiple video streams
- 10x digital zoom capability through client-side dewarping
- H.264 / MJPEG streaming with multiple quality levels
- Optimizes bandwidth and storage utilization
- Intuitive web-based interface for viewing and configuration
- Supported by major VMS / NVR systems including VideoXpert (version 1.6 or later) and Digital Sentry (version 7.8.90 or later)
- ONVIF profile S conformant



by **Schneider** Electric

International Standards  
Organization Registered Firm;  
ISO 9001 Quality System



# TECHNICAL SPECIFICATION

<b>Model</b>	EVO-05LMD (White) EVO-05LND (Black)
<b>Connector</b>	RJ45
<b>General</b>	
Lens Field of View	180° Horizontal, 168° Vertical
Image Sensor	2592 H x 1944 V, 5 MP, 1/2.5-inch Sony CMOS Sensor
Lens	185° / F2.0
Minimum Illumination	0.2 lux = 50 IRE F/2.0 (6500 K)
Frame Rate	30 fps for 1 MP and ¼ MP resolution 15 fps for 2 MP resolution 10 fps for 4 MP full resolution
Video Motion Detection	8 configurable regions
Security	Configurable password protection
Advanced Event Management	Triggered by motion, HTTP event, result configurable, FTP/SNTP upload and local recording
Networking	TCP/IP, HTTP, DHCP, DNS, NTP, FTP, SMTP, RTSP and uPNP
Privacy Regions	10 configurable privacy regions
microSD Card	Built-in microSD card slot. Supports cards up to 128 GB capacity. Speed class 10 or higher required
White Balance Range	Auto White Balance (Range = approximately 2500 K–8000 K)
<b>Video</b>	
Video Stream 1 Codec	H.264 High, Level 5 / MJPEG (streams configurable)
Video Stream 1 Compression Level	Multi-levels of compression and frame rate adjustment
Video Stream 1 Pixel Resolution	Fisheyes at: 4 MP (2144 x 1944), 2 MP (1488 x 1360), 1 MP (1056 x 960), ¼ MP (528 x 480)
Video Stream 2 Codec	H.264 High, Level 5 / MJPEG (streams configurable)
Video Stream 2 Compression Level	Multi-levels of compression and frame rate adjustment
Video Stream 2 Pixel Resolution	Fisheyes at: 4 MP (2144 x 1944), 2 MP (1488 x 1360), 1 MP (1056 x 960), ¼ MP (528 x 480)
Video Stream 3 Codec	MJPEG
Video Stream 3 Compression Level	Multi-levels of compression and frame rate adjustment
Video Stream 3 Pixel Resolution	Fisheye at: ¼ MP (528 x 480)
Maximum Frame Rate	30 fps
Image Control	Settings: brightness / contrast / saturation / exposure compensation, compression quality and wall / ceiling / table mount
Image Enhancement	Electronic WDR 60dB
PTZ Functionality	10x zoom with Oncam 3D client-side dewarping software
VMS / NVR Support	Contact Oncam Sales for the supported VMS / NVR list
Web Browser Compatibility	Internet Explorer 9, Edge 25, Firefox 23 and Chrome 29 or above. Plug-in required for full functionality
Unicast	Up to 20 simultaneous users depending on the resolution settings
Multicast	Supported for H.264 main camera stream
Bit Rate Control	Options include Variable Bit Rate Controls, Constant Bit Rate Control and Constant Quality Control
<b>Electrical</b>	
Connection	Flying lead - RJ45 plug
Network Cable Type	CAT5 or better for 100Base-TX
Power Input	Power over Ethernet (PoE), IEEE standard 802.3af
Power Consumption (maximum)	4.13 W

# TECHNICAL SPECIFICATION

## Mechanical

Camera Mount	Surface mount
Weight	0.32 kg (0.70 lbs)
Dimensions (Diameter x Depth)	119 x 68 mm (4.7 x 2.7 in.)
Housing Material	Aluminum with polymer bubble



## Environmental

Operating Temperature Range	-40 to +55° C (-40 to +131° F)
Operating Humidity	Up to 98% non-condensing
Ingress Protection	IP66
Impact Resistance	IK10

## Certifications

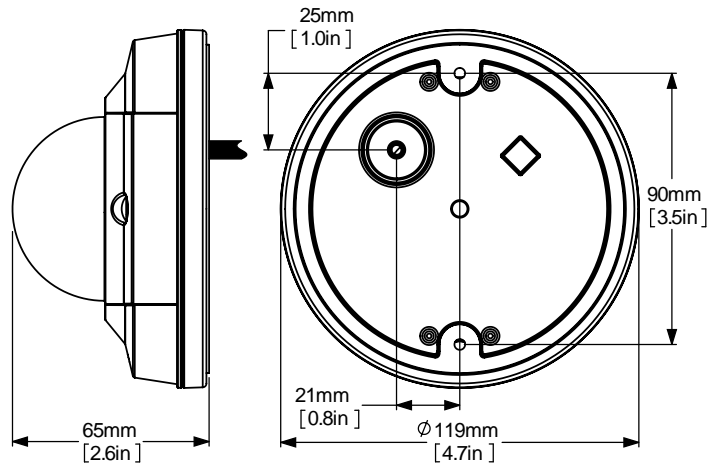
Approvals	IIEEE802.3af, CE, AS/NZS CISPR 22:2009+A1:2010, CISPR 24:2010 (Class A), FCC, ICES-003, KCC, CU, RCM, SASO, EN50155/EN45545 UL 60950-1(ed.2) & CAN/CSA C22.2 No. 60950-1-07, RoHS, REACH, IP66, IK10
-----------	---

## Accessories

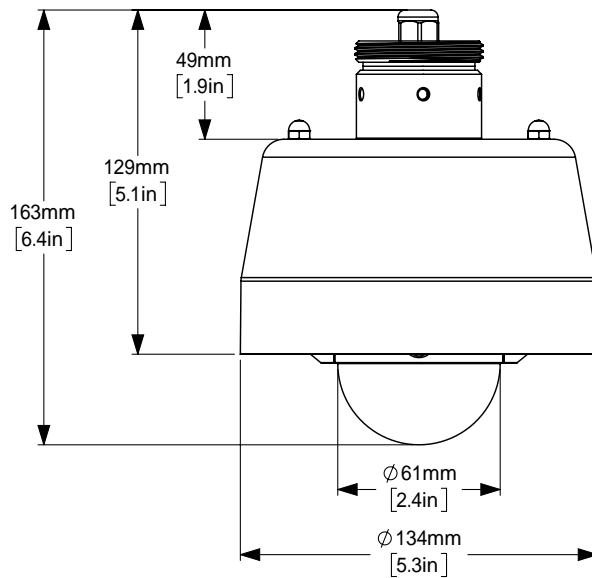
	Part Number	Description
	OBE-16-OWA (White)	M20 conduit back box
	OBE-16-OBA (Black)	Fitted for the camera back and provides three entry points for easy cabling through M20 size conduits. Coil excess cable within back box.
	EVO-05-LWK (White)	Outdoor Pendant Camera Kit
	EVO-05-LBK (Black)	The Outdoor Pendant Camera Kit is available in black or white and has a 1.5-inch NPS Male or M32 Female thread for connection to compatible brackets.  The kit contains the following items: <ul style="list-style-type: none"> <li>EVO-05 Mini Outdoor Camera (RJ45 option)</li> <li>Pre-assembled Pendant Mount Assembly (Sunshield, Back Box and thread adapter)</li> </ul>

# TECHNICAL SPECIFICATION

## Dimensions



Outdoor Mini Camera



Outdoor Mini Pendant Mount Kit

©Copyright 2014 - 2017 Oncam Global Group AG. All rights reserved.

Oncam Grandeye is the trade name of Oncam Global Group AG. Specifications and configurations subject to change without notice.