

# CM4400/EM4400 Series Mount

## CEILING/WALL MOUNT, CAMERA

### Product Features

- Ceiling or Wall Mounting
- Choose from Swivel Head or Adjustable Tilt Table Models
- Cable Feedthrough Hole
- CM4450/EM4450 for Use with Cameras Only
- CM4400/EM4400 Can Also Be Used with Light-Weight Enclosures
- CM4400/EM4400 Support up to 15 Pounds (6.75 kg); CM4450/EM4450 Support up to 7 Pounds (3.15 kg)
- EM4400 and EM4450 can be Mounted to a Single-Outlet, Standard Junction Box



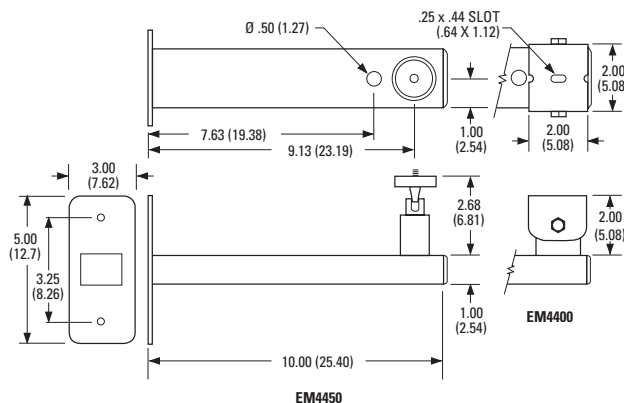
The **CM4400** and **EM4400 Series** are light-duty camera mounts. These mounts are designed primarily for use with lightweight cameras, but they can be used with small camera enclosures, such as the EH3010 and EH3014.

Equipped with an adjustable tilt table and cable feedthrough hole (video coaxial cable and two conductors for camera power), both mounts are capable of supporting up to 15 pounds (6.75 kg). The **CM4400** is for ceiling mount applications and the **EM4400** is for wall mount applications.

The **CM4450** and **EM4450** are light-duty camera mounts and are not recommended for use with enclosures. These mounts feature an adjustable swivel head with set screw for final positioning of the camera and cable feedthrough hole (video coaxial cable and two conductors for camera power). They are designed for use with cameras weighing up to 7 pounds (3.15 kg). The **CM4450** is for ceiling mount applications and the **EM4450** is for wall mount applications.

In addition, the **EM4400** and **EM4450** can be mounted directly to any single-outlet, standard junction box.

All mounts in this series are for indoor use only.



NOTE: VALUES IN PARENTHESES ARE CENTIMETERS; ALL OTHERS ARE INCHES.



# TECHNICAL SPECIFICATIONS

## MODELS

CM4400	Light-duty ceiling J-mount with cable feedthrough hole and manually adjustable tilt table. For use with lightweight cameras and enclosures.
CM4450	Light-duty ceiling J-mount with cable feedthrough hole and swivel head. For use with lightweight cameras only.
EM4400	Light-duty wall mount with cable feedthrough hole and manually adjustable tilt table. For use with lightweight cameras and enclosures.
EM4450	Light-duty wall mount with cable feedthrough hole and swivel head. For use with lightweight cameras only.

## MECHANICAL

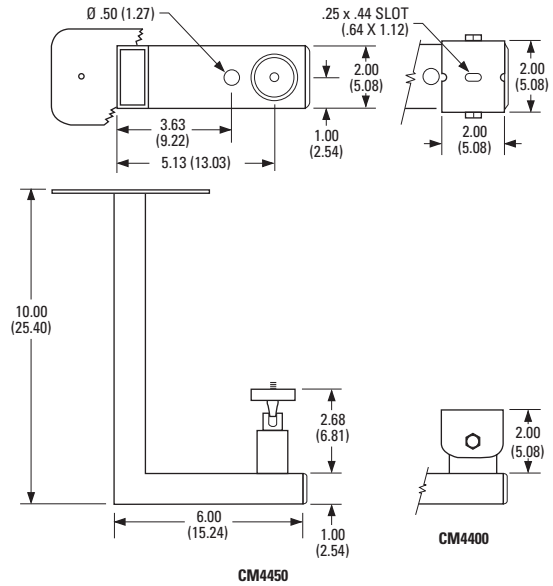
Pan Adjustment	Unlimited 360°
Tilt Adjustment	±90°
Locking Method	
CM4400/EM4400	Three 1/4-20 hex head bolts
CM4450/EM4450	Set screw secures swivel assembly
Camera Mounting	
CM4400/EM4400	1/4-20 mounting bolt (supplied)
CM4450/EM4450	1/4-20 threaded stud and nut
Enclosure Mounting	
Maximum Load	
CM4400/EM4400	15 lb (6.75 kg)
CM4450/EM4450	7 lb (3.15 kg)

## GENERAL

Construction	Steel
Finish	Gray polyester powder coat
Unit Weight	
CM4400	3.62 lb (1.64 kg)
CM4450	1.35 lb (0.61 kg)
EM4400	2.70 lb (1.22 kg)
EM4450	2.34 lb (1.06 kg)
Shipping Weight	
CM4400	5 lb (2.26 kg)
CM4450	3 lb (1.35 kg)
EM4400	4 lb (1.81 kg)
EM4450	3 lb (1.35 kg)

## CERTIFICATIONS

- UL Listed (CM4450 only)



NOTE: VALUES IN PARENTHESES ARE CENTIMETERS; ALL OTHERS ARE INCHES.



**Pelco, Inc. Worldwide Headquarters:**  
 3500 Pelco Way, Clovis, California 93612-5699 USA  
**USA & Canada** Tel: (800) 289-9100 • FAX: (800) 289-9150  
**International** Tel: +1 (559) 292-1981 • FAX: +1 (559) 348-1120  
[www.pelco.com](http://www.pelco.com)

Pelco and the Pelco logo are registered trademarks of Pelco, Inc.  
 Product specifications and availability subject to change without notice.  
 ©Copyright 2000, Pelco, Inc. All rights reserved.