

PT1260EX Pan/Tilt

EXPLOSIONPROOF

Product Features

- Meets NEMA Type 4X Standards
- 120 or 230 VAC Operation
- Rugged Construction
- For Use in a Variety of Harsh and Hazardous Environments
- Heavy Duty Adjustable Worm-Gear Final Drive
- Optional Preset Positioning Capability
- Limit Stops Internally Adjustable
- Indoor/Outdoor Applications
- Maximum Load 100 Pounds (45.4 kg)

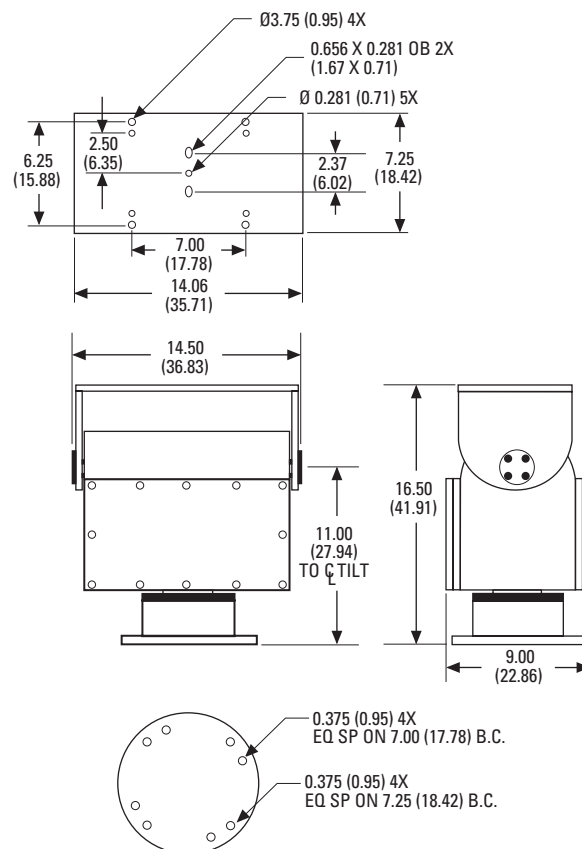


The **PT1260EX** pan/tilt has been engineered to meet the rigorous requirements of explosionproof and dust-ignition-proof electrical equipment installed in Class I (Group C and D) and Class II, (Group E, F, and G) hazardous locations.

Easily capable of handling loads up to 100 pounds (45.4 kg), the **PT1260EX** is ideally suited for use with our EHX*E Series explosion-proof enclosure for potentially hazardous or combustible applications.

The **PT1260EX** features rugged, high torque AC motors and adjustable worm-gear final drives to ensure long operational life, as well as drift-free operation.

The **PT1260EX** is manufactured from anodized plate aluminum. All internal and external parts are constructed of corrosion-protected steel or aluminum, and the fasteners are stainless steel. Pan and tilt limit stops are internally adjustable.



NOTE: VALUES IN PARENTHESES ARE CENTIMETERS; ALL OTHERS ARE INCHES.

TECHNICAL SPECIFICATIONS

MODELS

PT1260EX	Explosionproof/weatherproof pan/tilt, 120 VAC
PT1260EX/220	Same as PT1260EX except 230 VAC operation
PT1260EX/PP	Same as PT1260EX except has preset option; requires preset control
PT1260EX/PP/230	Same as PT1260EX/PP except 230 VAC operation

ELECTRICAL

Input Voltage		
PT1260EX, PT1260EX/PP	120 VAC, 50/60 Hz	
PT1260EX/220, PT1260EX/PP/230	230 VAC, 50/60 Hz	
Power Requirements		
PT1260EX, PT1260EX/PP	Pan	Tilt
Running	0.48 A (57.5 VA)	0.48 A (57.5 VA)
Starting	0.60 A (72.5 VA)	0.60 A (72.5 VA)
PT1260EX/220, PT1260EX/PP/230	Pan	Tilt
Running	0.19 A (43.7 VA)	0.27 A (62.1 VA)
Starting	0.19 A (43.7 VA)	0.27 A (62.1 VA)
Connectors	Explosionproof gland (supplied)	
Motors	Two-phase induction type, instantaneous reversing	
Limit Switches	5 A each (pan and tilt); internal adjustment	
Conductor Requirements	6, unshielded (functions: left, right, up, down, motor common, safety ground); PP option requires 4 additional conductors	
Maximum Operating Distances*		
PT1260EX and PT1260EX/PP		
6 Conductors	Cable Size	Maximum Distance
	20 AWG (0.5mm ²)	489 ft (149 m)
	18 AWG (1.0mm ²)	778 ft (237 m)
	16 AWG (1.5mm ²)	1,235 ft (376 m)
PT1260EX/220 and PT1260EX/PP/230		
6 Conductors	20 AWG (0.5mm ²)	2,463 ft (750 m)
	18 AWG (1.0mm ²)	3,918 ft (1,194 m)
	16 AWG (1.5mm ²)	6,218 ft (1,895 m)

*Distances are calculated with both motors (pan and tilt) running and assuming a 10% voltage drop.

MECHANICAL

Pan	0° to 355° movement in horizontal plane
Speed	6°/sec ±1°
Torque	50 ft-lb with specified voltage
Tilt	±90° movement in vertical plane
Speed	3°/sec ±0.5°
Torque	100 ft-lb with specified voltage
Maximum Load	100 lb (45.4 kg) at 5" (12.7 cm) from tilt table surface to center of gravity
Gearing	Adjustable worm-gear final drive to prevent drift and minimize backlash
Bearings	
Pan	Sealed, heavy-duty ball bearings
Tilt	Oilite bronze bushing
Braking	Mechanical
Duty Cycle	50% duty cycle; 30 minute rating

GENERAL

Construction	Anodized, aluminum plate; all internal and external parts corrosion protected; stainless steel fasteners
Tilt Shaft	Type 316 stainless steel
Finish	Gray polyester powder coat
Environment	Indoor/outdoor operation
Temperature	-10° to 120°F (-23° to 49°C)
Unit Weight	69 lb (31.2 kg)
Shipping Weight	75 lb (34 kg)

CERTIFICATIONS/RATINGS

- UL Listed (PT1260EX and PT1260EX/PP)
- For use in Class I (Groups C and D) and Class II (Groups E, F, and G) hazardous locations (PT1260EX and PT1260 EX/PP)
- Meets NEMA Type 4X standards

RECOMMENDED CONTROLS

Coaxitron® or Matrix	See individual specification sheets for information. Preset pan/tilt must be used with Coaxitron or matrix control with PP capability and preset receiver.
MPTAZ Series	Desktop pan/tilt and zoom lens control with auto/random scan for 120/230/24 VAC pan/tilts.

RECOMMENDED ENCLOSURES

EHX*E Series	Explosionproof enclosure
--------------	--------------------------

Pelco by Schneider Electric

3500 Pelco Way, Clovis, California 93612-5699 United States
USA & Canada Tel (800) 289-9100 Fax (800) 289-9150
International Tel +1 (559) 292-1981 Fax +1 (559) 348-1120
www.pelco.com

Pelco, the Pelco logo, and other trademarks associated with Pelco products referred to in this publication are trademarks of Pelco, Inc. or its affiliates. All other product names and services are the property of their respective companies. Product specifications and availability are subject to change without notice.
 ©Copyright 2011, Pelco, Inc. All rights reserved.