

PS20 Series Scanner

INDOOR/OUTDOOR, MEDIUM DUTY

Product Features

- High Reliability: No Worm Gears to Adjust, No Chain to Lubricate, No Gear Head on Motor
- Scans Past 360°, Eliminates Blind Spots
- 2-Year Unlimited Continuous Duty Warranty
- Auto and Random Scan Operation
- 3 Speed Settings
- 120 VAC and 24 VAC Models
- Upright or Inverted Operation
- Magnetic Limit Stops Microprocessor Controlled
- Quiet, Smooth Operation
- Completely Sealed Unit, Meets NEMA Type 4 Standards
- Maximum Load 35 lb (15.75 kg)

Backed by a two-year unlimited continuous duty warranty, Pelco's **PS20 Series** scanner is perfect for indoor and outdoor installations. Ruggedly constructed and completely sealed, the scanner features stepper motor technology for increased reliability; three speed settings (3, 6, and 12 degrees per second) selectable at installation; and microprocessor-controlled magnetic limit stops for quiet smooth operation.

The **PS20** is ideal for a wide array of surveillance installations and reduces the need for numerous fixed cameras. Designed to operate with loads up to 35 pounds (15.75 kg), this medium duty scanner is easy to install and can be mounted to any flat surface in an upright or inverted position.

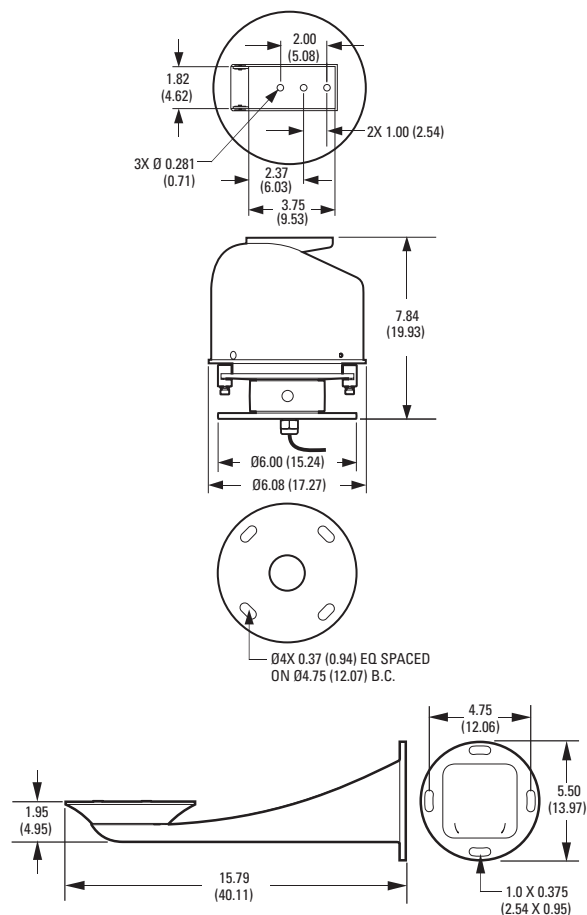
The scanner is capable of pan rotation past 360 degrees, to 380 degrees, for a complete panoramic view. The unit also has a manually adjustable tilt table for viewing from 0 (zero) degrees horizontal to 65 degrees tilt position.

The **PS20** scanner is capable of auto and random scan operation without the need for a controller. Connected to a Pelco MPTAZ Series control, the scanner can operate continuously, randomly, and manually. The **PS20 Series** scanner is compatible with all Pelco scanner and pan/tilt hard wire controllers.

The 24 VAC **PS20** scanner is available in easy-to-order ScannerPak systems. Systems include an EH3512-HD enclosure, sun shroud, wall mount, and choice of pre-installed camera configuration (camera and lens). Refer to the ScannerPak Selection Guide for system model numbers.



PS20 WITH EH3512-2HD, SUN SHROUD, AND PSWM



NOTE: VALUES IN PARENTHESES ARE CENTIMETERS; ALL OTHERS ARE INCHES.



TECHNICAL SPECIFICATIONS

MODELS

PS20	Medium duty scanner, 120 VAC
PS20-24	Medium duty scanner, 24 VAC

MECHANICAL

Pan	0 to 380° movement in horizontal plane
Speed	3°, 6°, and 12° per sec
Maximum Load	35 lb (15.7 kg) centered
Operation	Upright or inverted
Bearings	Heavy duty ball bearings
Overload Protection	Thermal protected

ELECTRICAL

Input Voltage		
PS20	95 to 130 VAC	
PS20-24	22 to 28 VAC	
Power Requirements		
PS20	0.25A (30 VA) at 120 VAC	
PS20-24	0.75A (20 VA) at 24 VAC	
Connectors	Wire nuts (provided), butt splice (not provided)	
Motors	Stepper motor, continuous duty, instantaneous reversing	
Limit Switches	Auto scan switching; external adjustment	
Conductors	7, unshielded (functions: left, right, auto, motor common, safety ground, AC HI, AC LO)	
Maximum Operating Distances		
	Cable Size Maximum Distance	
PS20	20 AWG (0.5 mm ²)	2,300 ft (701 m)
	18 AWG (1.0 mm ²)	3,700 ft (1,127 m)
	16 AWG (1.5 mm ²)	5,900 ft (1,798 m)
PS24	20 AWG (0.5 mm ²)	5,600 ft (1,706 m)
	18 AWG (1.0 mm ²)	9,000 ft (2,743 m)
	16 AWG (1.5 mm ²)	14,300 ft (4,368 m)

GENERAL

Construction	Aluminum
Finish	Gray polyester powder coat
Environment	Indoor/outdoor; -10° to 120°F (-23° to 49°C)
Unit Weight	9.9 lb (4.5 kg)
Shipping Weight	12 lb (5.4 kg)

CERTIFICATIONS/RATINGS/PATENTS

- CE, Class A
- FCC, Class B
- UL/cUL Listed
- Meets NEMA Type 4, IP66 standards
- U.S. Patent D473,873S

RECOMMENDED CONTROLS

MPS524DT	Desktop control for PS20-24 scanner
MPTAZ Series	Desktop scanner and zoom lens control capable of auto/random scan

RECOMMENDED ENCLOSURE

EH3010/EH3014	Small, indoor enclosure
EH4010/EH4014	Small, indoor enclosure
EH3508/EH3512	Small, indoor/outdoor enclosure

RECOMMENDED MOUNTS

PSWM	Wall mount for PS20 Series
PM2000, PM2010	Universal ceiling/pedestal mount
ECM100	Corner mount; use with PSWM wall mount
EPM	Pole mount; use with PSWM wall mount

SCANNERPAK SELECTION GUIDE

Available ScannerPak systems are listed below. Refer to each component's specification sheet for details about each product.

Scanner	Camera	Lens	Enclosure	Accessories	Model Number
24 VAC (PS20-24)	540 TVL, NTSC (C10CH-6)	Varifocal (13VA3-8)	Indoor/outdoor with 24 VAC heater-defroster (EH3512-2HD)	Sun shield (SS3512) Wall mount (PSWM)	PS20-2AJV3W
24 VAC (PS20-24)	480 TVL, NTSC (CC3701H-2)	Varifocal, auto iris (13VD3-8)	Indoor/outdoor with 24 VAC heater-defroster (EH3512-2HD)	Sun shield (SS3512) Wall mount (PSWM)	PS20-2CBV3AW
24 VAC (PS20-24)	480 TVL, NTSC (CC3701H-2)	Varifocal (13VA3-8)	Indoor/outdoor with 24 VAC heater-defroster (EH3512-2HD)	Sun shield (SS3512) Wall mount (PSWM)	PS20-2CBV3W
24 VAC (PS20-24)	480 TVL, PAL (CC3701H-2X)	Varifocal (13VA3-8)	Indoor/outdoor with 24 VAC heater-defroster (EH3512-2HD)	Sun shield (SS3512) Wall mount (PSWM)	PS20-2CDV3W

Pelco, Inc. Worldwide Headquarters:

3500 Pelco Way, Clovis, California 93612-5699 USA

USA & Canada Tel: (800) 289-9100 • FAX: (800) 289-9150

International Tel: +1 (559) 292-1981 • FAX: +1 (559) 348-1120

www.pelco.com

Pelco, the Pelco logo, and other trademarks associated with Pelco products referred to in this publication are trademarks of Pelco, Inc. or its affiliates. All other product names and services are the property of their respective companies. Product specifications and availability are subject to change without notice.

©Copyright 2010, Pelco, Inc. All rights reserved.