

# EM3512 Mount

## WALL MOUNT, EH3512 ENCLOSURE, 24 VAC

### Product Features

- Specifically Designed for EH3512 Enclosures That Use 24 VAC
- Wiring Concealed Inside Mount
- Video, Power Wiring Pre-Installed
- Adjustable Pan/Tilt Head
- Mounts to Wall or Electrical Box
- Pole, Corner Mount Adapters Available



EM3512 MOUNT WITH EH3512 ENCLOSURE

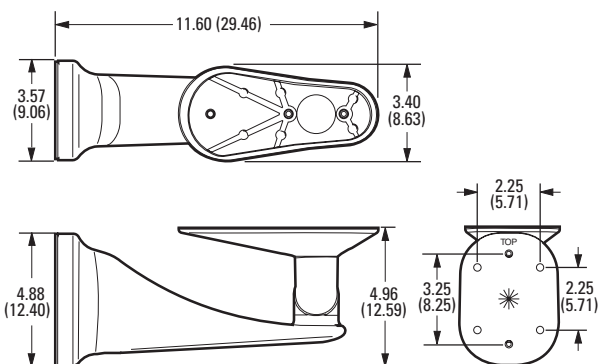
The **EM3512** feedthrough wall mount provides an attractive indoor/outdoor mount for **EH3512** enclosures that use 24 VAC power. Specifically, it is designed for use with the EH3512 enclosure (when a 24 VAC camera is installed), the EH3512-2, and the EH3512-2HD.

All wiring is concealed inside the mount. With the video and power wiring pre-installed, hook-up is easy and simple.

The mount can be attached to a wall surface or a single-gang electrical box. The PA3512 pole mount adapter is available for attaching the mount to a pole, and CM3512 corner mount adapter can be used for installation of the mount on the corner of a building.

An adjustable head allows 320 degrees of horizontal rotation. Tilt adjustment can be up to 90 degrees above or below the horizontal position.

The **EM3512** is constructed of aluminum and has a gray powder coat finish.



NOTE: VALUES IN PARENTHESES ARE CENTIMETERS; ALL OTHERS ARE INCHES.



# TECHNICAL SPECIFICATIONS

## MODEL

EM3512 Light duty wall mount with manually adjustable head

## RELATED PRODUCTS

CM3512 Corner mount adapter for EM3512 mount  
 PA3512 Pole mount adapter for EM3512 mount.  
 Stainless steel straps supplied. Straps fit 3-inch (7.62 cm) to 8-inch (20.32 cm) diameter pole.

## MECHANICAL

Pan Adjustment 320°  
 Tilt Adjustment ±90°  
 Locking Method Button screws; 1/8-inch hex wrench supplied

## GENERAL

Environment Indoor/outdoor  
 Construction Aluminum  
 Finish Gray polyester powder coat

## CERTIFICATIONS/PATENTS

- UL/cUL Listed
- U.S. Patents D-486,173 S and 6,824,318 B2

## MOUNTING METHOD

Wall mount Mount attaches to wall surface with four 1/4-inch diameter fasteners. Only two fasteners are required if mounting to a 2x4 stud. Fasteners are not supplied.

Corner adapter Corner adapter attaches to mounting surface with four 1/4-inch diameter fasteners (not supplied). Includes hardware to attach mount to corner adapter

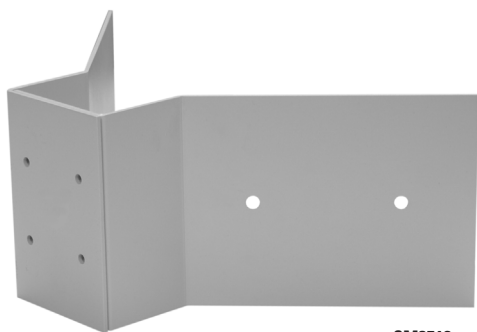
Pole adapter Pole adapter attaches to a pole with two stainless steel straps (supplied). Straps fit 3-inch (7.62 cm) to 8-inch (20.32 cm) diameter pole. Includes hardware to attach mount to pole adapter.

Electrical box Electrical box attaches to wall stud with hardware (not supplied) sufficient to penetrate wall stud 1 inch (2.54 cm). Electrical box includes screws to attach mount

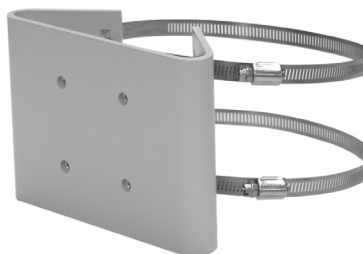
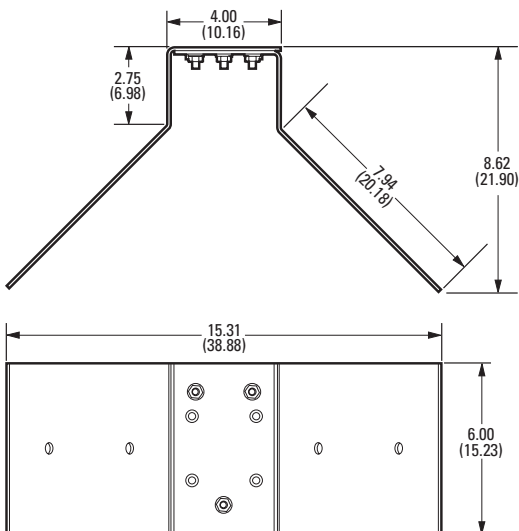
Enclosure Mounting EH3512 enclosure attaches to mount with two 1/4-20 x 7/8-inch Phillips screws (provided)

Cable Entry Through hole in mounting plate or through 0.5-inch (1.27 cm) conduit opening in bottom of mount

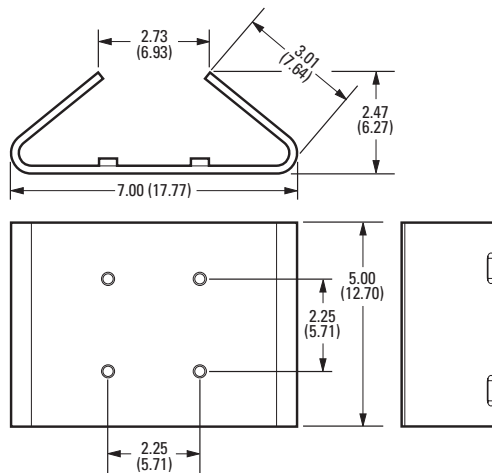
Weights	Unit	Shipping
EM3512	1.95 lb (0.88 kg)	4 lb (1.81 kg)
CM3512	2.20 lb (1.00 kg)	4 lb (1.81 kg)
PA3512	1.40 lb (0.64 kg)	2 lb (0.91 kg)



CM3512



PA3512



NOTE: VALUES IN PARENTHESES ARE CENTIMETERS; ALL OTHERS ARE INCHES.



**Pelco, Inc. Worldwide Headquarters:**  
 3500 Pelco Way, Clovis, California 93612-5699 USA  
**USA & Canada** Tel: (800) 289-9100 • FAX: (800) 289-9150  
**International** Tel: +1 (559) 292-1981 • FAX: +1 (559) 348-1120  
[www.pelco.com](http://www.pelco.com)

Pelco and the Pelco logo are registered trademarks of Pelco, Inc.  
 Product specifications and availability subject to change without notice.  
 ©Copyright 2006, Pelco, Inc. All rights reserved.