

GV-IB25 / GV-IB65 / GV-IB85 Infrared Button



GV-IB25



GV-IB65



GV-IB85

The GV-IB25 / GV-IB65 / GV-IB85 Infrared Button detects infrared movement within 3 to 12 cm and allows you to open the door with a wave of hand. The infrared sensor eliminates the need to contact the button and keeps your hands clean when entering or exiting places such as hospitals, restaurants or stores. In addition, the built-in relay function allows you to program the door opening time to enhance security.

Features

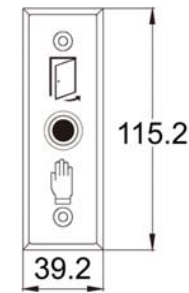
- Activates without pressing the button to prevent spread of diseases.
- Specially designed to prevent any interference from other infrared.
- Double color status light and adjustable proximity range.
- Door opening time can be set as trigger state (0.5~20 sec) or toggle mode output
- Operating temperature: -10°C ~ +70°C / 14°F ~ 158°F
- Sealing protection: IP65.
- Infrared proximity has a total lifespan of 100,000 hours. Relay has a total lifespan of 1,000,000 times.

Packing List

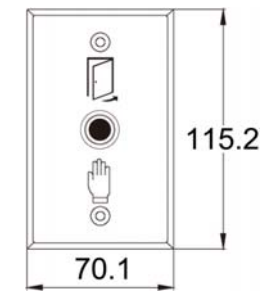
- | | |
|--|---------------------------|
| 1. GV-IB25 / 65 / 85 Infrared Button x 1 | 3. Phillips Screw x 2 |
| 2. 5-pin Connector x 1 | 4. Installation Guide x 1 |

Model Dimensions

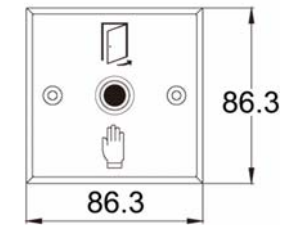
(Unit : mm)



GV-IB25

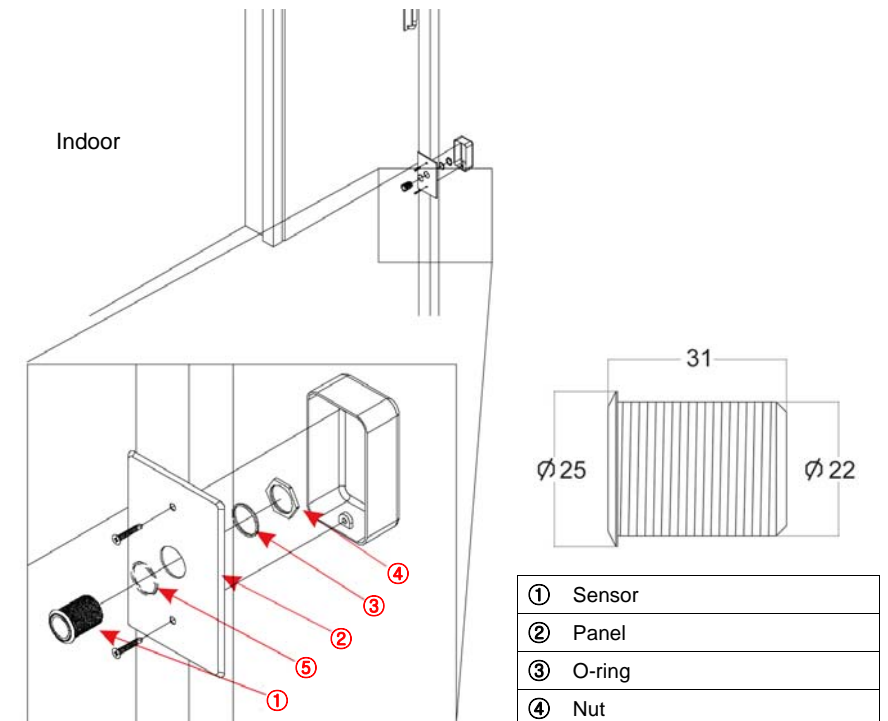


GV-IB65



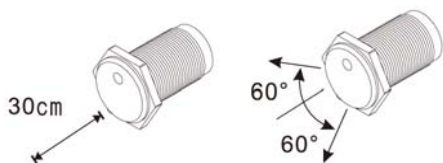
GV-IB85

Installation

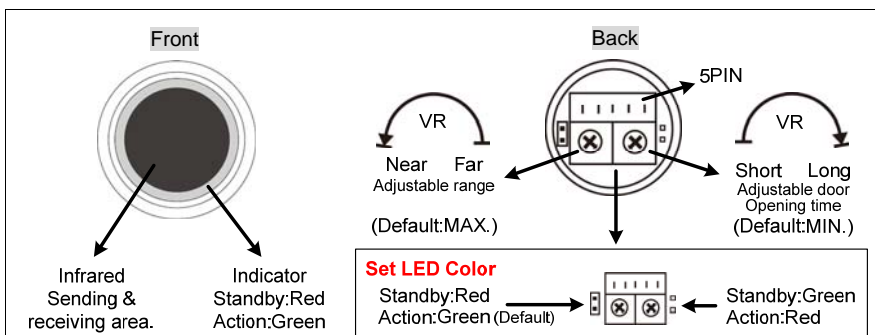


Note :

- To improve waterproof effect, insert the waterproof washer in the infrared receiver and then place it into the lock template as part ⑤.
- Make sure there are no obstacles within 30 cm of the sensor and 60° to the left and right of the sensor to avoid any interference.



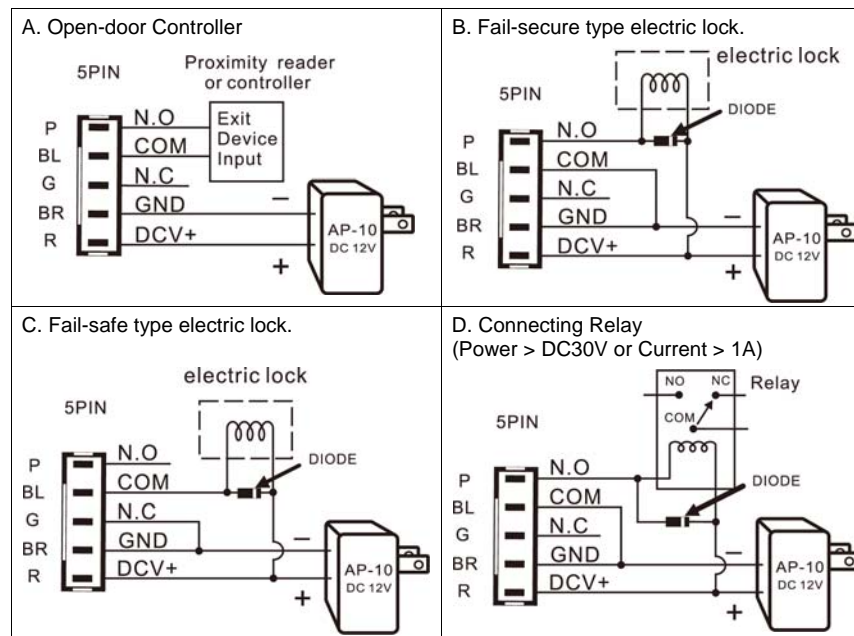
Panel and Wirings



5 PIN

P	Door control relay.(N.O.)
BL	Door control relay.(COM)
G	Door control relay.(N.C.)
BR	GND
R	DC+12V ~ 24V

Example of Wirings



Note: Please connect to diode when the control terminal is loading in order to absorb surge to prevent damage to the sensor.

Troubleshooting

Q: Gets stuck on action mode (indicator's light does not change).

- A:
- Remove any obstacles in front of the sensor.
 - Adjust the distance. Shortening the distance may avoid interference.
 - Check the voltage. When the voltage is too low, the sensor distance may be shortened, or the sensor may not function properly.
 - Check the relay setting time. It could be set as a longer relay or to the toggle mode.

Q: Unable to open the door while the indicator is still on.

Precautions

1. Before connecting to power, check the voltage and polarity of the power supply to avoid damage caused by incorrect connection.
2. Remove the protection stickers and make sure no object is blocking the infrared sensor panel.
3. Do not attempt to fix or modify the system on your own. Any repair or modification should only be conducted by qualified personnel.
4. Self testing function when powering on: Green light on for one second and no action from relay. A constant red light indicates that the power-on self test is completed.

Specifications

Model	GV-IB25 (Slim Model)	GV-IB65	GV-IB85
Standard	US / EU	US	EU
Power input	DC12V~DC 24.V (± 10%)		
Proximity Range	3~12 cm / 1.18 ~4.72 in (± 25%)		
Output Loading	1A, DC30V (Max.)		
Output State	Trigger state (0.5~20sec) or toggle mode		
Life Time	Infrared sensor: 100,000 hours Relay mechanical lifespan: 1000,000 times		
Default Indicator Color	Standby Mode: Red; Activated Mode: Green (Indicator colors are adjustable.)		
Case	Stainless Steel		
Power Consumption	Maximum current 35mA, DC24V		
Operating Temperature	-10°C ~ +70°C / 14°F ~ 158°F		
Operating Humidity	Maximum 85% Rh		
Dimensions (L x W x D)	115.2 x 39.2 x 30 mm / 4.53 x 1.54 x 1.18 in	115.2 x 70.1 x 30 mm / 4.53 x 2.76 x 1.18 in	86.3 x 86.3 x 30 mm / 3.4 x 3.4 x 1.18 in
Weight	70 g / 0.15 lb	95 g / 0.21 lb	90 g / 0.20 lb
Note: Different materials have different reflective rate. The proximity range is obtained using an 18% neutral gray card.			

All specifications are subject to change without notice.