

单门门禁控制器

中英文说明书
V1.0.0

1.25118.11245-000

重要安全须知

使用产品前，请认真阅读并严格遵守以下要求，以免您的产品和财产受到损失。

- 请在允许的温度和湿度下运输、使用、存储本产品。
- 请勿将产品放置在阳光直射的地方或发热源附近。
- 请勿将产品放置在潮湿、有灰尘或煤烟的场所。
- 请勿将产品安装在通风良好的场所，禁止堵塞设备的通风口。
- 请勿将产品安装在平稳的场所。
- 请勿将液体滴到产品上。
- 请勿将其他物品放置于产品上面。
- 请勿随意拆卸本产品。

特别声明

- 产品请以实物为准，说明书仅供参考。
- 产品实时更新，如有升级不再另行通知。
- 最新程序及补充说明文档敬请与公司客服部联系。
- 如果不按照说明中的指导操作，因此造成的损失由使用方承担。
- 产品说明中有疑问或争议的，以公司最终解释为准。

3 设备安装与拆卸

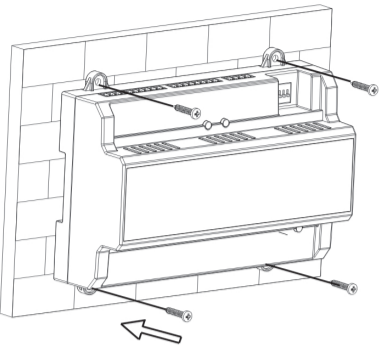
3.1 设备安装

设备有两种安装方式，如下：

- 安装方式1，将整机用螺钉固定在墙上。
- 安装方式2，使用挂墙架将整机固定在墙上。

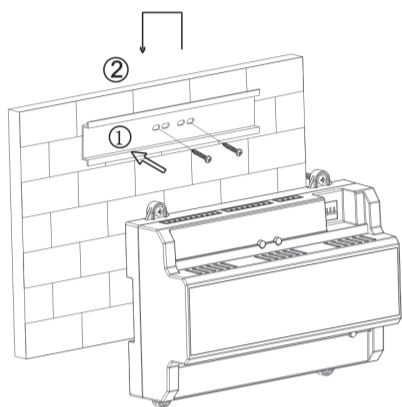
安装方式1，将整机用螺钉固定在墙上。安装示意图如图3-1所示。

图3-1 安装方式1



安装方式2的安装示意图如图3-2所示。

图3-2 安装方式2



安装方式2安装步骤如下：

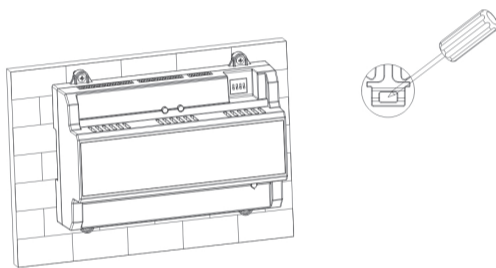
- 步骤1 将挂墙架用螺钉固定在墙上。
- 步骤2 将整机背面上部扣入挂墙架上部卡槽，并把机体下部用力往挂墙架下压。

听到整机背部安装卡扣卡入声后，即安装完成。

3.2 设备拆卸

安装方式2的拆卸示意图如图3-3所示。

图3-3 拆卸示意图



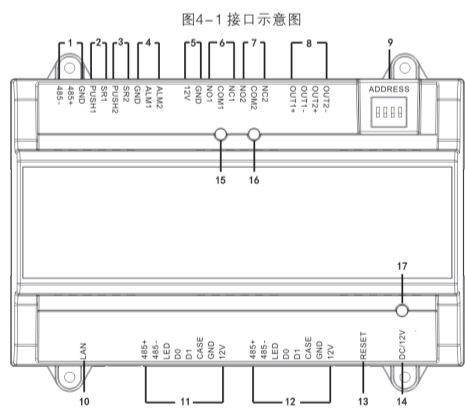
拆卸方法如下：

- 步骤1 用螺丝刀对准卡扣，并用力下压，将卡扣弹开。
- 步骤2 用同样的方法弹出第二个卡扣，即可将整机顺利取下。

4 接口说明

4.1 接口示意

设备的接口示意图如图4-1所示。



接口说明如表4-1所示。

表4-1 接口说明

序号	接口说明	序号	接口说明
1	RS485通讯，软件平台接口	8	报警输出
2	开锁+门磁	9	拨码开关
3	暂未启用	10	TCP/IP，软件平台接口
4	报警输入	11	进门读卡器
5	门磁电源输出	12	出门读卡器
6	门锁控制输出	13	复位键
7	暂未启用	14	DC 12V电源接口

指示灯说明如表4-2所示。

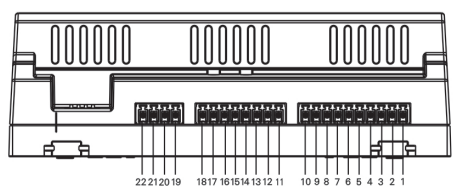
表4-2 指示灯说明

序号	说明
14	门锁状态指示灯
15	电源指示灯
16	电源指示灯

4.2 接线说明

序号1-7所对应的接线端子图如图4-2所示。

图4-2 序号1-7对应的接线端子



“RS485通讯”所对应的接线端子说明如表4-3所示。

表4-3 RS485通讯接线端子说明

接口	序号	接线端子
485通讯	1	485+
	2	485-
	3	GND

“开锁+门磁”所对应的接线端子说明如表4-4所示。

表4-4 开锁+门磁接线端子说明

接口	序号	接线端子	说明
开锁+门磁	4	PUSH1	开门按钮
	5	SR1	门磁输入
	6	PUSH2	暂未启用
	7	SR2	暂未启用
	8	GND	开门按钮和门磁输入共用

“报警输入”所对应的接线端子说明如表4-5所示。

表4-5 报警输入接线端子说明

接口	序号	接线端子	说明
报警输入	9	ALM1	可接烟感报警器、声光报警器等
	10	ALM2	-

“门锁控制输出”所对应的接线端子说明如表4-6所示。

表4-6 门锁控制输出接线端子说明

接口	序号	接线端子	说明
门锁控制输出	11	12V	门锁供电端口
	12	GND	
	13	NO1	断电门开锁
	14	COM1	门锁电源12V输入
	15	NC1	断电门开锁
	16	NO2	暂未启用
	17	COM2	暂未启用
	18	NC2	暂未启用

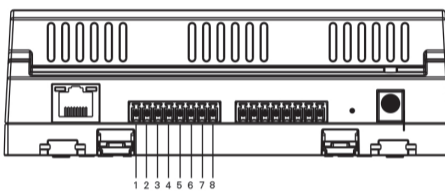
“报警输出”所对应的接线端子说明如表4-7所示。

表4-7 报警输出接线端子说明

接口	序号	接线端子	说明
报警输出	19	OUT1+	1号报警输出
	20	OUT1-	
	21	OUT2+	2号报警输出
	22	OUT2-	

读卡器所对应的接线端子图如图4-3所示。

图4-3 读卡器接线端子



“进门读卡器”所对应的接线端子说明如表4-8所示。“出门读卡器”与“进门读卡器”相同。

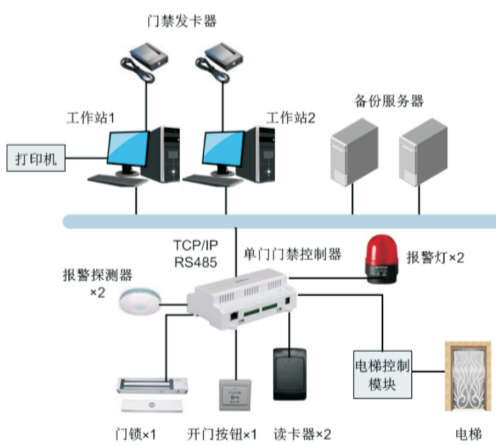
表4-8 进出门读卡器接线端子说明

接口	序号	接线端子	说明
进门读卡器	1	485+	485读卡器
	2	485-	
	3	LED	韦根读卡器
	4	D0	
	5	D1	
	6	CASE	
	7	GND	读卡器电源
	8	12V	

4.3 系统架构

单门门禁控制器与门磁、读卡器等连接的系统架构如图4-4所示。

图4-4 系统架构图



1 概述

单门门禁控制器作为控制设备，实现对视频监控和可视对讲的补充和完善，产品外观简洁时尚、功能强大，适合高端商业大厦、集团物业和智能社区。

控制器具有丰富的功能，功能如下：

- 采用滑轨式及锁控式安装方式设计，安装及检修方便。
- 集成报警、门禁、视频监控、消防报警和梯控模块接入。
- 支持2组读卡器。
- 支持5组信号输入（开门按钮×1，门磁报警×1，防拆报警×1，入侵报警×2）。
- 支持3组控制输出（电锁控制×1，报警输出×2）。
- 带RS485接口，可扩展连接电梯控制模块、报警或家居控制模块、或者通过RS485连接上位机进行通讯。
- FLASH存储容量为16M（可扩展32M），最大支持100,000个持卡人，150,000条刷卡记录。
- 支持非法闯入报警、开门超时报警、支持胁迫卡及胁迫码设定，支持黑白名单及巡逻卡设定。
- 支持卡片的有效时段设置、密码设置以及有效期限设置，来宾卡还具有使用次数设定功能。
- 支持128组时间表、128组时段表及128组假日时段表。
- 数据断电永久保存，自带RTC（支持夏令时），在线升级。

2 外观尺寸

单门门禁控制器的外观和尺寸如图2-1和图2-2所示，尺寸单位为mm。

图2-1 外观尺寸1

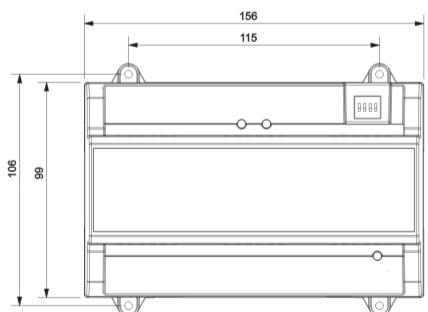
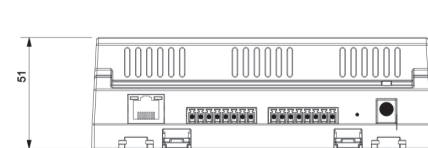


图2-2 外观尺寸2



Single-door Access Controller User's Manual

V1.0.0

1.25118.11245-000

3 Device Installation and Uninstallation

3.1 Device Installation

You can install the device either:

- Fix it on wall with screw.
- Fix it on wall with bracket.

Installation 1: Fix device on wall with screw as in Figure 3- 1

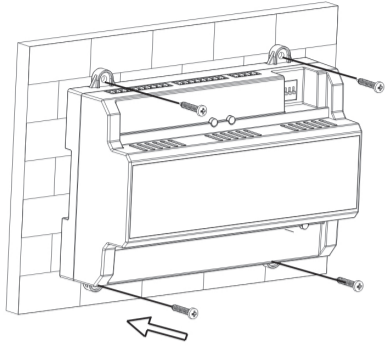


Figure 3- 1

Installation 2: Fix it on wall with bracket as in Figure 3- 2.

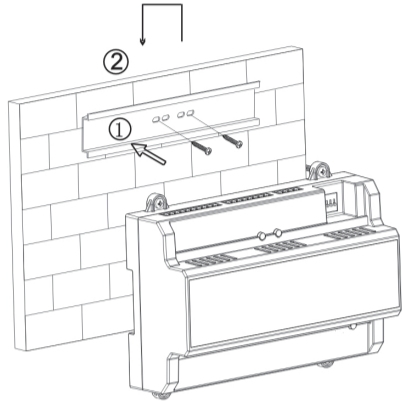


Figure 3- 2

Installation steps:

- Step 1. Fix bracket on wall with screw.
- Step 2. Fasten the device into slot on bracket and pull device downward until it is in place.

3.2 Device Uninstallation

Uninstallation method for installation 2 is shown in Figure 3- 3.

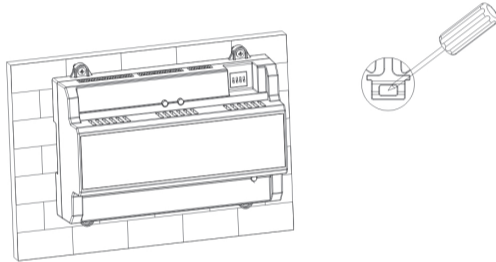


Figure 3- 3

Uninstallation method:

- Step 1. Face screwdriver toward the slot and press it to fasten.
- Step 2. Do it again for second slot, and you can take the device down.

4 Port

Device ports are illustrated in Figure 4- 1.

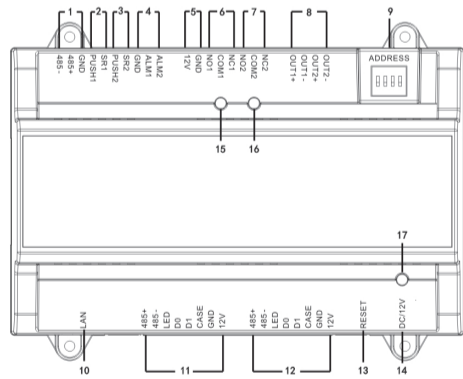


Figure 4- 1

Ports are defined as:

No.	Port	No.	Port
1	RS485 communication, software port	8	TCP/IP, software platform port
2	Unlock+Door sensor	9	No. 1 entry card reader
3	4 groups of alarm signal input	10	No. 1 exit card reader
4	2 groups of output control	11	No. 2 entry card reader
5	Lock output control	12	No. 2 exit card reader
6	Alarm output control	13	Reset
7	Dial-up switch	14	DC 12V power port

Indicators are defined as:

No.	Note
15	Lock status indicator
16	Power indicator
17	Power indicator

4.2 Cabling

Cabling ports of No. 1 to 7 are shown as Figure 4- 2.

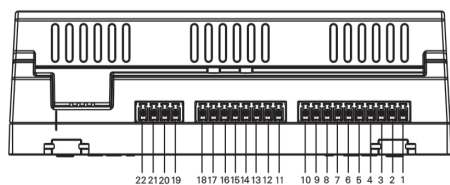


Figure 4- 2

Cabling ports of "RS485 communication" are as follows:

Port	No.	Cabling Port
485 Communication	1	485-
	2	485+
	3	GND

Cabling ports of "Unlock+Door sensor" are as follows:

Port	No.	Cabling Port	Note
Unlock +Door Sensor	4	PUSH1	Unlock button
	5	SR1	Door sensor
	6	PUSH2	Reserved
	7	SR2	Reserved
	8	GND	Unlock button and door sensor

Cabling ports of "Alarm Input" are as follows:

Port	No.	Cabling Port	Note
Alarm Input	9	ALM1	Smoke sensor alarm, sound/light alarm and etc.
	10	ALM2	-

Cabling ports of "Lock Control Output" are as follows:

Port	No.	Cabling Port	Note
Lock Control Output	11	12V	Lock power supply
	12	GND	
	13	NO1	Door lock off when outage
	14	COM1	Lock power 12V input
	15	NC1	Door lock on when outage
	16	NO2	Reserved
	17	COM2	Reserved
	18	NC2	Reserved

Cabling ports of "Alarm Output" are as follows:

Port	No.	Cabling Port	Note
Output Control	19	OUT1+	No. 1 alarm output
	20	OUT1-	
	21	OUT2+	No. 2 alarm output
	22	OUT2-	

Cabling ports of card reader are shown in Figure 4- 3.

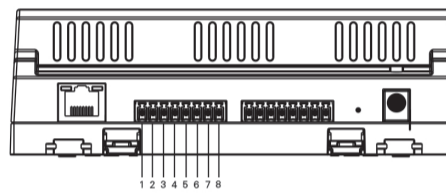


Figure 4- 3

Cabling ports of "entry card reader" are as follows. It is same for "exit card reader".

Port	No.	Cabling Port	Note
Entry Card Reader	1	485+	485 card reader
	2	485-	
	3	LED	Wiegand card reader
	4	D0	
	5	D1	
	6	CASE	
	7	GND	Card reader power
	8	12V	

4.3 System Structure

The access controller, lock, card reader and etc. combine a system as in Figure 4- 4.

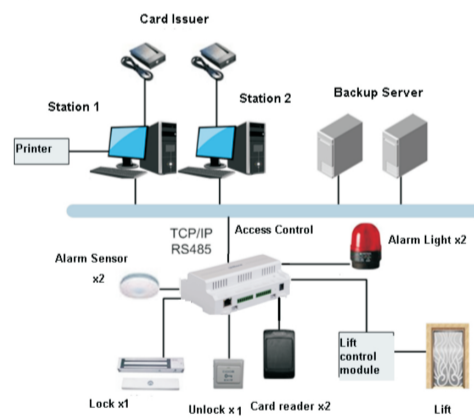


Figure 4- 4

Important Safeguards and Warnings

Please read the following safeguards and warnings carefully before using the product in order to avoid damages and losses.

Note:

- Do not expose the device to lampblack, steam or dust. Otherwise it may cause fire or electric shock.
- Do not install the device at position exposed to sunlight or in high temperature. Temperature rise in device may cause fire.
- Do not expose the device to humid environment. Otherwise it may cause fire.
- The device must be installed on solid and flat surface in order to guarantee safety under load and earthquake. Otherwise, it may cause device to fall off or turnover.
- Do not place the device on carpet or quilt.
- Do not block air vent of the device or ventilation around the device. Otherwise, temperature in device will rise and may cause fire.
- Do not place any object on the device.
- Do not disassemble the device without professional instruction.

Warning:

- Please use battery properly to avoid fire, explosion and other dangers.
- Please replace used battery with battery of the same type.
- Do not use power line other than the one specified. Please use it properly. Otherwise, it may cause fire or electric shock.

Special Announcement

- This manual is for reference only.
- All the designs and software here are subject to change without prior written notice.
- All trademarks and registered trademarks are the properties of their respective owners.
- If there is any uncertainty or controversy, please refer to the final explanation of us.
- Please visit our website for more information

1 Overview

The single-door access controller is a controlling device which compensates video monitoring and bidirectional talk. It has neat and modern design with strong functionality, suitable for commercial building, corporation property and intelligent community.

It has:

- It adopts slideway and lock installation design for easy installation and repair.
- It integrates alarm, access control, video monitoring, fire alarm and control module input.
- It supports 2 sets of card readers (may set 2 as bidirectional card readers).
- It supports 5 groups of input signal (unlock button *1, door sensor *1, vandal-proof alarm *1, intrusion alarm *2).
- It supports 3 groups of output control (electric lock *1, alarm output *2).
- RS485 port, may extend to connect to lift control module, alarm or household control module. It may connect upper device via Rs485.
- FLASH storage capacity is 16M (may extend to 32M), max supports 100,000 card holders and 150,000 records.
- It supports illegal intrusion alarm, unlock overtime alarm, forced card alarm and forced setup. It also supports black-white list and patrol card setup
- It supports setup of card period, password and validity. Guest card in additional has setup of times of use.
- It supports 128 groups of periods, 128 groups of DSTs and 128 groups of holiday schedule.
- Data storage during outage, built-in RTC (support DST), online upgrading.

2 Device Appearance

Single-door access controller appearance and dimension are shown in Figure 2- 1 Dimension 1 and Figure 2- 2 Dimension 2. Unit is mm.

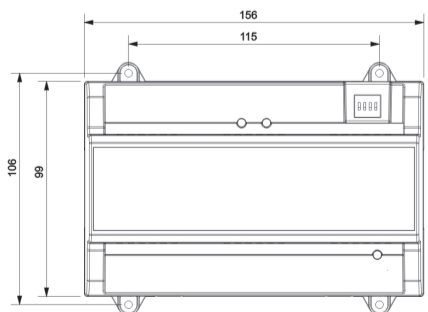


Figure 2- 1 Dimension 1

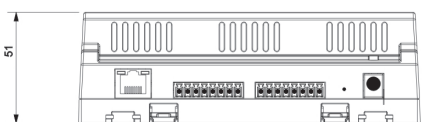


Figure 2- 2 Dimension 2

5 Technical Specification

Parameter	Specification
Processor	32 bit ARM processor
Storage Capacity	16M
Max User	100,000
Max Record	150,000
Card Reader Communication Port	Wiegand, RS485
Platform Communication Port	TCP/IP, RS485
Input Card Reader Quantity	2 groups
Working Power	Rated power 10-15VDC, rated current 0.75A
Schedule	128
Period	128
Holiday	128
Unlock Mode	Card, card+password, password, card or password, card+fingerprint, fingerprint+password, fingerprint or card or password, by period.
Cross-segment Network	Support
Single-door Bidirectional Swiping	Support
Real-time Monitoring	Support
Alarm Activation	Support
Vandal-proof Alarm	Support
Illegal Intrusion Alarm	Support
Unlock Overtime Alarm	Support
Forced Card and Password Setup	Support
DST and Time Sync	Support
Online Upgrading	Support

Note:

- This manual is for reference only. Slight difference may be found in user interface.
- All the designs and software here are subject to change without prior written notice.
- All trademarks and registered trademarks are the properties of their respective owners.
- If there is any uncertainty or controversy, please refer to the final explanation of us.
- Please visit our website or contact your local service engineer for more information.