

ASC1202B

Two Door Access Controller



Features

- Support 100,000 valid cards & 150,000 records
- Support multiple cards
- Support card, password, fingerprint and combination
- TCP/IP interface to PC
- Wiegand or RS-485 interface to readers(2 door)
- Door time out alarm, intrusion alarm, duress alarm and tamper alarm
- Anti-pass back, multi-door interlock, multi-card open
- Support 128 efficient time and holiday schedules
- Watch dog function ensure device free from halting
- Surface mounted installation



Technical Specification

System

Main Processor	32 Bit
Memory	16M

Input/Output Ports

Input	Inputs x 6 (door sensor x 2, exit button x 2, alarm x 2)
Output	Relay x 4(door lock x 2, alarm x 2)
Reader	Reader x 2

Capacity

Card holders/Events	100,000/150,000
---------------------	-----------------

Function

Access control	Anti-pass back, Multi-interlock, Multi-card unlock
User Management	General, VIP, Guest, Patrol, Black list, Duress
Alarm Function	Door time out alarm, Intrusion alarm, Duress alarm, Tamper alarm
Period	Support 128 groups of schedule, 128 groups of period and 128 groups of holiday period

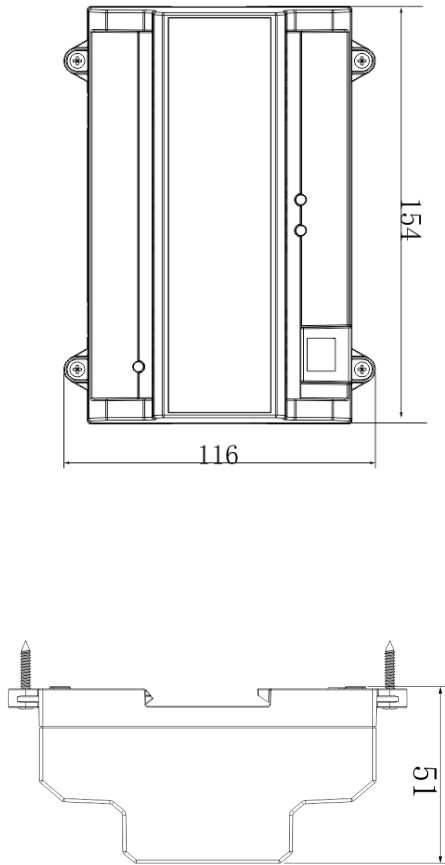
Interface

To PC	RJ45(10/100M)
To Reader	Wiegand/ RS485

General

RTC	Yes
Power Supply	9-15DC/500mA
Working Environment	-30°C~+60°C
Working Humidity	≤95%
Dimension(WxDxH)	156*98*51mm
Weight	0.5Kg

Dimensions



Application

Multi-door Management
Two door controller

