

DH-HAC-HF3101

1.3Megapixel 720P WDR HDCVI Box Camera



Features

- 1/3" 1.3Megapixel CMOS
- 25/30fps@720P
- High speed, long distance real-time transmission
- HD and standard definition switchable
- OSD Menu, control over coaxial cable
- WDR(120dB), Day/Night(ICR), 3D-DNR, Auto Iris
- AC24V/DC12V

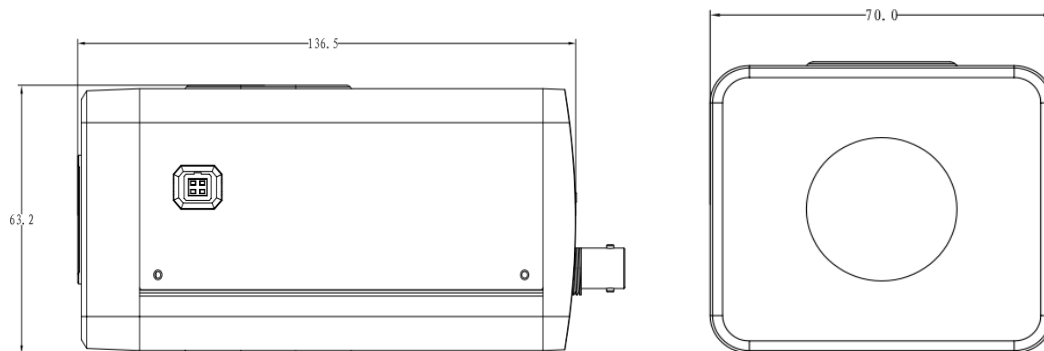
DH-HAC-HF3101

Technical Specifications





Model	DH-HAC-HF3101P	DH-HAC-HF3101N
Camera		
Image Sensor	1/3" 1.3Megapixel CMOS	
Effective Pixels	1280(H)×960(V)	
Electronic Shutter	1/1s~1/10,000s	
Video Frame Rate	25/30fps@720P	
Synchronization	Internal	
Mini. Illumination	Color: 0.01Lux@F1.2(AGC ON) ; B/W: 0.001Lux@F1.2(AGC ON)	
Video Output	1-channel BNC HDCVI high definition video output/ CVBS standard definition video output (Can switch)	
Camera Features		
Day/Night	Auto(ICR) / Color / B/W	
Backlight Compensation	WDR(120dB)	
Noise Reduction	2D/3D	
OSD Menu	Support	
Lens		
Focal Length	N/A	
Mount Type	C/CS	
Auxiliary Interface		
RS485	1	
Alarm	1 channel out	
Audio	1 channel in	
General		
Power Supply	AC24V/DC12V	
Power Consumption	Max 7W	
Working Environment	-30°C~+60°C / Less than 95%RH (no condensation)	
Transmission Distance	Over 800m via 75-3 coaxial cable	
Dimensions(W×D×H)	70mm×63.2mm×136.5mm	
Weight	0.65kg	
Material	Metal	

DH-HAC-HF3101

Dimensions (mm)



Accessories (optional)

			
PFB110W	PFA122	PFA152	PFH610N

Dahua Technology Co., Ltd.

1199 BinAn Road, Binjiang District, Hangzhou, China

Tel: +86-571-87688883

Fax: +86-571-87688815

Email: overseas@dahuatech.com

www.dahuatech.com

*Design and specifications are subject to change without notice.

© 2014 Dahua Technology Co., Ltd.