



# LOUROE ELECTRONICS®

6955 VALJEAN AVE, VAN NUYS, CA 91406  
PH: (818)994-6498 / FAX: (818)994-6458  
[techsupport@louroe.com](mailto:techsupport@louroe.com) / [www.louroe.com](http://www.louroe.com)

## MODEL TLSP-F/TLSP-S

SPEAKER/MICROPHONE

### INSTALLATION AND OPERATING INSTRUCTIONS



MODEL TLSP-F



MODEL TLSP-S

#### INTRODUCTION

Model TLSP is a two-way talk/listen vandal resistant speaker/microphone, designed for correctional facilities or areas of high vandalism. When functioning as part of a Louroe Audio Monitoring System, Model TLSP provides two-way talk/listen capabilities between the remote area (jail cells, etc) and the Louroe Base Station. The unit consists of an electret condenser microphone and a 3" speaker fitted to a special tone path and mounted to an 11 gauge stainless steel face plate. The tone path positioning protects the microphone and speaker from vandalism. Included with Model TLSP is a 6"x6"x4" back box and security hardware.

Model TLSP-F is for **flush** mounting to a ceiling or wall

Model TLSP-S is for **surface** mounting to a ceiling or wall

TLSP-F Faceplate is 7"x7"

TLSP-S Faceplate is 6"x6"

Back Box for both units is 6"x6"x4"

# INSTALLATION AND OPERATING INSTRUCTIONS

## WIRING CONNECTIONS FOR TLSP MICROPHONE AND SPEAKER

### MICROPHONE AND SPEAKER

#### Microphone Connections

Located behind the speaker portion of TLSP is a PC board with a small terminal block marked A, B, C.

Using shielded portion of recommended wiring:

- 1) RED wire goes to terminal A (12 Vdc supply)
- 2) Black wire goes to terminal B (audio output)
- 3) Bare wire (drain) goes to terminal C (ground)

#### Speaker Connections

Mounted next to speaker is a 70V transformer with two lead wires GREEN (positive) and WHITE (ground). Using wire nuts, connect these two wires to the unshielded GREEN and WHITE cables of recommended wiring (West Penn 356 or equivalent)

### CONNECTING MODEL TLSP-F / TLSP-W TO A LOUROE BASE STATION

The following procedure pertains to all Louroe Base Stations with talkback

After wiring connections are made at Model TLSP, run recommended 4 conductor cable to the Louroe Base Station and connect as follows. Connections are located at rear panel of the base station.

- 1) RED wire (12Vdc) goes to terminal "A" of Base Station (zone 1)
- 2) BLACK wire (Audio Output) goes to terminal "B" of Base Station (zone 1)
- 3) BARE wire (ground) goes to terminal "C" of Base Station (zone 1)
- 4) GREEN speaker wire goes to "TB" (talkback) terminal of Base Station (zone 1)
- 5) WHITE speaker wire goes to "G" (ground) terminal of Base Station (zone 1)

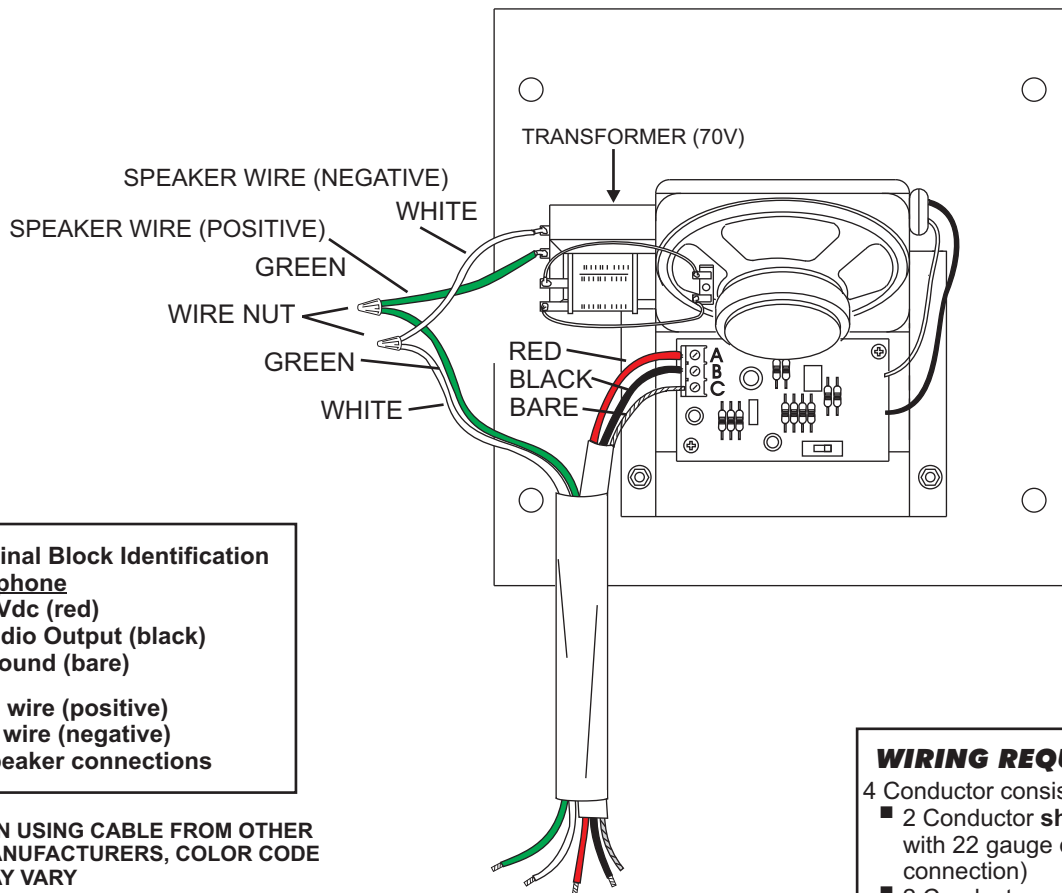
Repeat same procedure for the remaining zones

### SPECIFICATIONS (Model TLSP-F and TLSP-S)

Output of microphone (Mic)	Line Level (0 dB, 600Ω @ 1KΩ)
Frequency Response (Mic)	40 Hz to 15 kHz
Current Drain (mic)	10 mA
Speaker	3", 2W w/ 70V transformer
Faceplate (TLSP-S)	6"L x 6"W   Vandal Resistant
Faceplate (TLSP-F)	7"L x 7"W   Stainless Steel
Backbox	6"H x 6"W x 4"D
Weight	4 lbs
Shipping Weight	7 lbs

## WIRING DIAGRAM FOR MODEL TLSP-F / TLSP-S SPEAKER/MICROPHONE

### REAR OF TLSP SPEAKER/MICROPHONE



**Terminal Block Identification**  
**Microphone**  
A - 12Vdc (red)  
B - Audio Output (black)  
C - Ground (bare)

Green wire (positive)  
White wire (negative)  
are speaker connections

NOTE: WHEN USING CABLE FROM OTHER  
MANUFACTURERS, COLOR CODE  
MAY VARY

**WIRING REQUIREMENTS**

4 Conductor consisting of:

- 2 Conductor **shielded**, 20 gauge with 22 gauge drain (microphone connection)
- 2 Conductor **unshielded**, 18 gauge (speaker connection)

All in the same jacket

West Penn 356 or equivalent

TO LOUOE  
BASE STATION  
REFER TO PAGE 1  
DIAGRAM OR TO THE SPECIFIC  
BASE STATION INSTALLATION  
INSTRUCTIONS FOR CONNECTIONS

## MANUFACTURED IN THE



### IMPORTANT NOTICE

When this equipment is used as part of an audio monitoring system, the law requires that the public be given notice of AUDIO MONITORING ON THE PREMISES. A decal notice is included with each microphone shipped.



Federal Law References:  
Federal Regulations, US Code, Title 18.  
Crime and Criminal Procedure, Sec 2510.

### WARRANTY

LOUROE ELECTRONICS® warrants that at the time of shipment products manufactured by LOUROE ELECTRONICS® to be free of defects in material and workmanship. Should a defect appear within one year (12 months) from date of shipment, LOUROE ELECTRONICS will, at its sole discretion, repair or replace the defective equipment. This equipment shall not be accepted for repair or return without prior notification by LOUROE ELECTRONICS®.

This warranty does not extend to any Louroe product that has been subjected to improper or incorrect installation, misuse, accident, or in violation of installation instructions provided by LOUROE ELECTRONICS®.

Returned shipments to LOUROE ELECTRONICS® shall be at customer's expense. LOUROE ELECTRONICS® will return the equipment prepaid via best way.