

Quick Start Guide

UVS-ABD1300 Eyeball IP Dome



Before attempting to connect or operate this product,
please read these instructions carefully and save this manual for future use.

UVSABDV10-QG-A



© 2017 USA Vision Systems Inc. All rights reserved.

Under the copyright laws, this manual may not be copied, in whole or in part, without the written consent of USA Vision.

Every effort has been made to ensure that the information in this manual is accurate. USA Vision makes no expressed or implied warranty of any kind and assumes no responsibility for errors or omissions. No liability is assumed for incidental or consequential damages arising from the use of the information or products contained herein. Features and specifications are subject to change without notice.

Note: No memory card slot or local storage function for Argentina.

USA Vision Systems Inc.
9235 Research Drive,
Irvine, CA 92618, USA
Tel: +1-949-583-1519
Fax: +1-949-583-1522
<http://www.usavisionsys.com>

Trademarks used in this manual: *USA Vision* and the *USA Vision* logo are trademarks of USA Vision Systems Inc. *Windows* is the registered trademark of Microsoft Corporation.

January 2017

Contents

Note for Connecting to GV-VMS / DVR / NVR.....	ii
Note for Installing Camera Outdoor.....	iii
1. Introduction	1
1.1 Packing List	1
1.2 Optional Accessories	2
1.3 Overview.....	2
2. Installation	4
3. Waterproofing the Cable	7
4. Accessing the Camera	9
4.1 Looking Up the Dynamic IP Address.....	9
4.2 Configuring the IP Address	11
5. The Web Interface.....	12
6. Upgrading System Firmware	14
7. Restoring to Factory Default.....	15

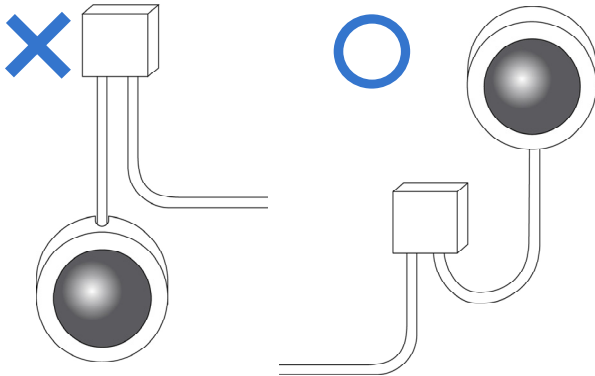
Note for Connecting to GV-VMS / DVR / NVR

The Eyeball Dome is designed to work with GV-VMS / DVR / NVR, a video management system. Once the camera is connected to the GV-VMS / DVR / NVR, the resolution set on the GV-VMS / DVR / NVR will override the resolution set on the camera's Web interface. You can only change the resolution settings through the Web interface when the connection to the GV-VMS / DVR / NVR is interrupted.

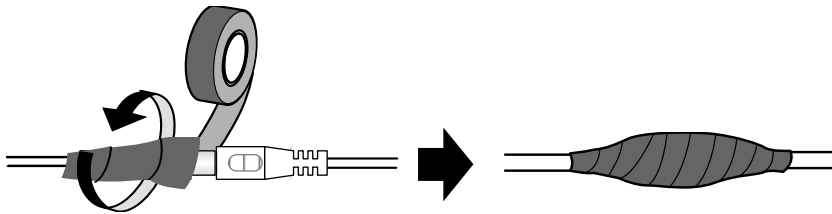
Note for Installing Camera Outdoor

When installing the camera outdoor, be sure that:

1. The camera is set up above the junction box to prevent water from entering the camera along the cables.



2. Any power, audio and I/O cables are waterproofed using waterproof silicon rubber or the like.



3. The screws are tightened and the cover is in place after opening the camera cover.

1. Introduction




Welcome to the *Eyeball IP Dome Quick Start Guide*. In the following sections, you will learn the basic installations and configurations. For details, see its *User's Manual*.

1.1 Packing List

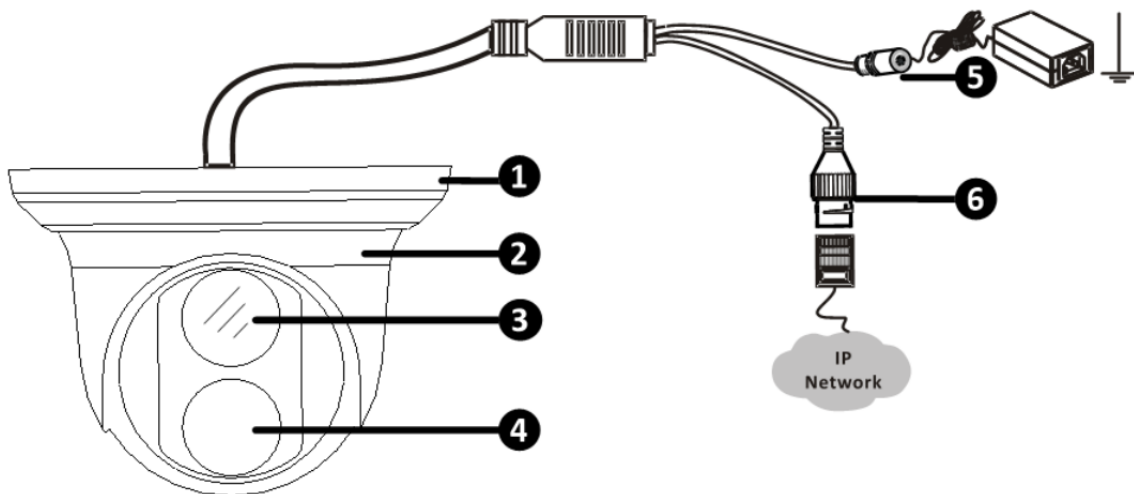
- Eyeball Dome
- Waterproof Rubber Set
- Screw x 2
- Screw Anchor x 2
- Drill Template Paster
- Software Download Guide
- Warranty Card

1.2 Optional Accessories

Optional accessories can expand the capabilities and versatility of your camera. Contact your dealer for more information.

Model Number	Name	Details
GV-Mount211	Wall Mount Bracket 	Dimensions: 233 x 126 x 126 mm (9.2" x 5" x 5") Weight: 0.92 kg (2.0 lb)
GV-Mount212	Wall Box Mount 	Dimensions: Φ 126 x 36 mm (5.0" x 1.4") Weight: 0.18 kg (0.4 lb)
GV-PA191	Power over Ethernet (PoE) Adapter 	The GV-PA191 is a Power over Ethernet (PoE) adapter designed to provide power to the IP device through a single Ethernet cable.
GV-POE Switch	The GV-POE Switch is designed to provide power along with network connection for IP devices. The GV-POE Switch is available in various models with different numbers and types of ports.	
Power Adapter	Contact your sales representative for the countries and areas supported.	

1.3 Overview



No.	Description
1	Bottom ring
2	Housing
3	Lens
4	Infrared LED
5	Power connector (DC 12 V) An optional power adapter is required.
6	Ethernet connector / PoE

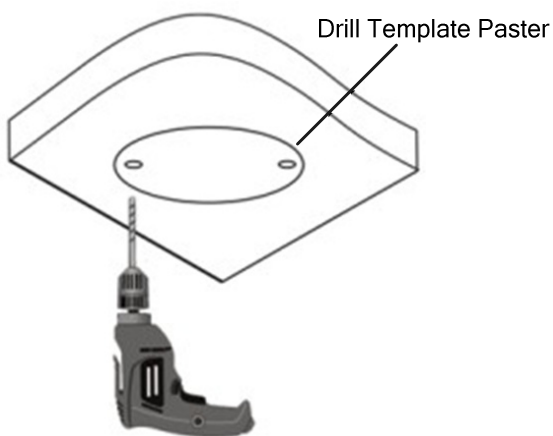
2. Installation

The Eyeball Dome is designed for outdoors. With the standard package, you can install the camera on the ceiling. Or you can purchase optional mounting accessories to mount the camera on a wall.

Below are the instructions for **Ceiling Mount**. There are two kinds of Ceiling Mount: **Concealed Installation** and **Open Installation**. In Concealed Installation, the cables are hidden in the ceiling. In Open Installation, the cables are led out from the open slot on the bottom ring.

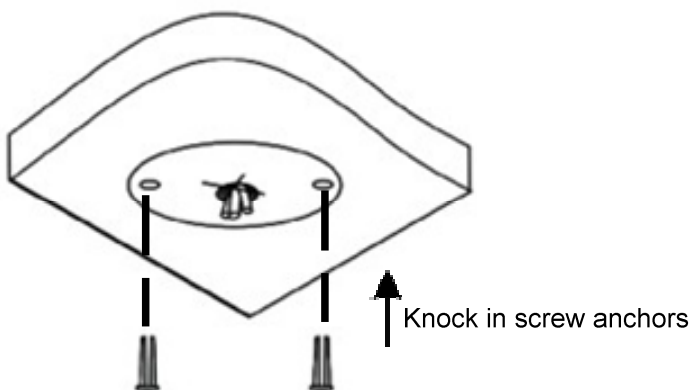
For Concealed Installation

1. Stick the drill template paster to the ceiling, and then drill two 30-mm deep guide holes according to the drill template.

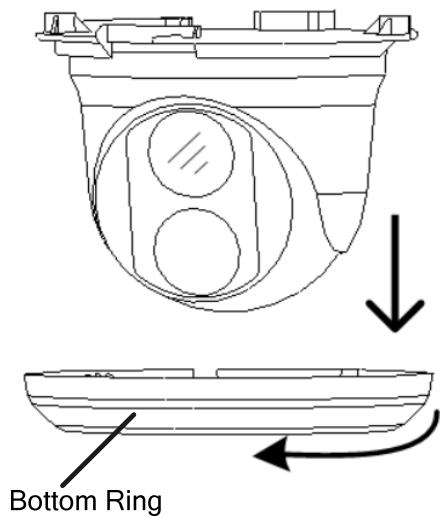


2. Insert the screw anchors.

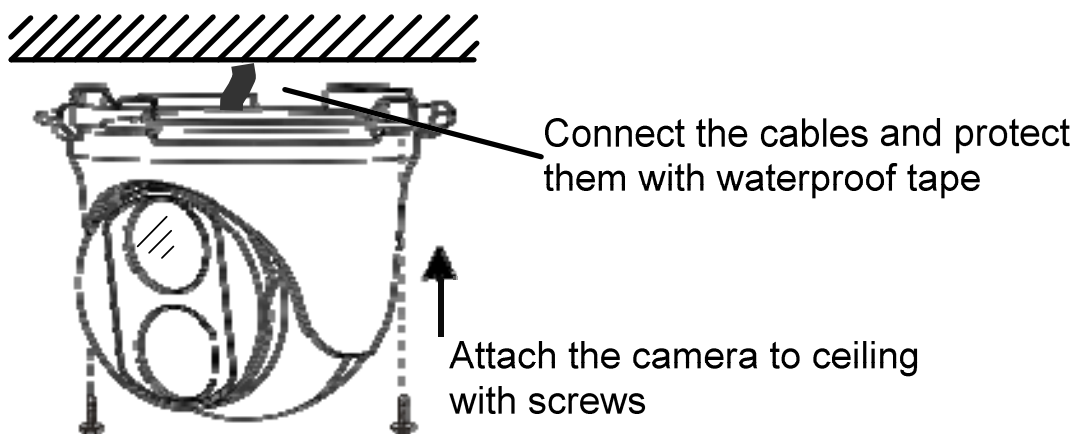
Drill a hole to lead cables out of the ceiling



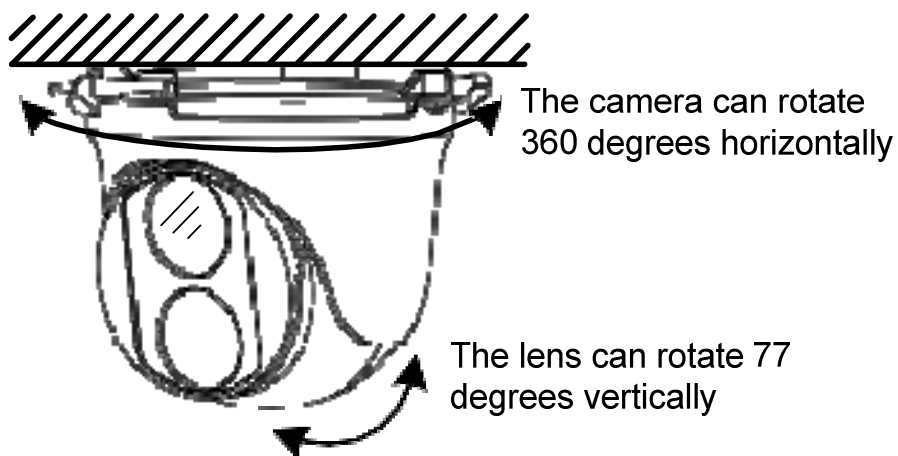
3. Remove the bottom ring by turning it anticlockwise.



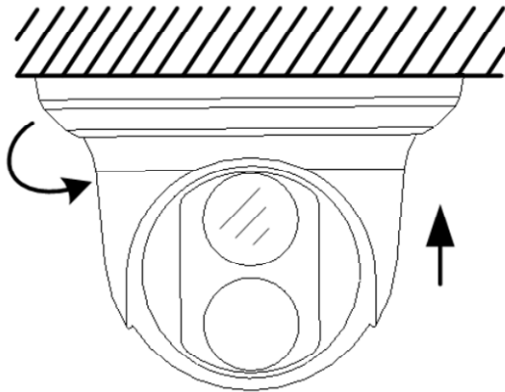
4. Connect the cables and then secure the camera.



5. Adjust the monitoring direction.



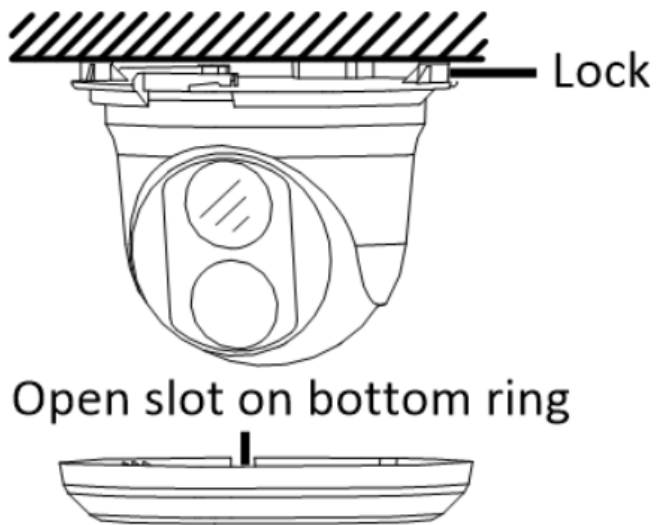
6. Mount the bottom ring.



Push the bottom ring back up and turn it clockwise to lock into position

For Open Installation

Lead the cables out from the open slot on the bottom ring before screwing the camera to the ceiling as shown in step 4 in *For Concealed Installation*.



Note: You can optionally purchase [GV-Mount211 for Wall Bracket Mount](#). For details, see its [User's Manual](#).

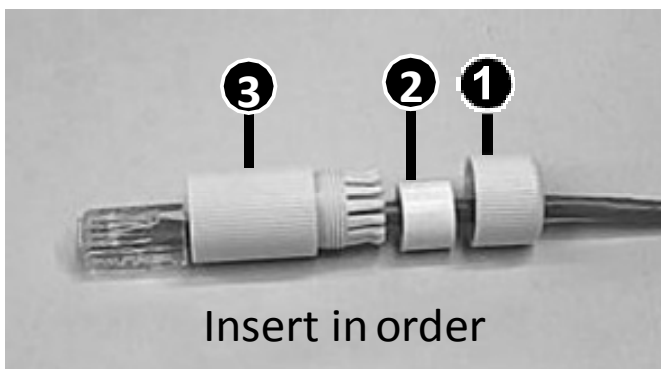
3. Waterproofing the Cable

Waterproof the Ethernet cable by using the supplied waterproof rubber set.

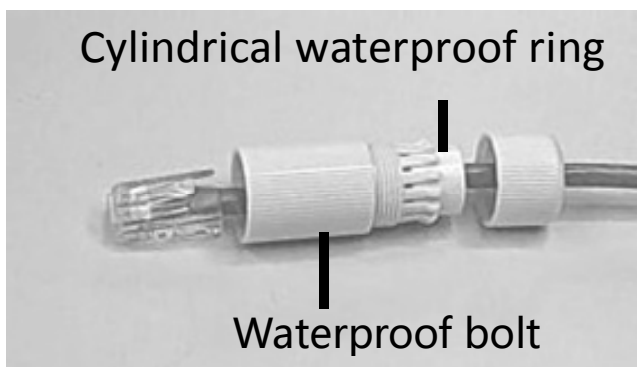
1. Attach the seal ring to the RJ-45 plug.



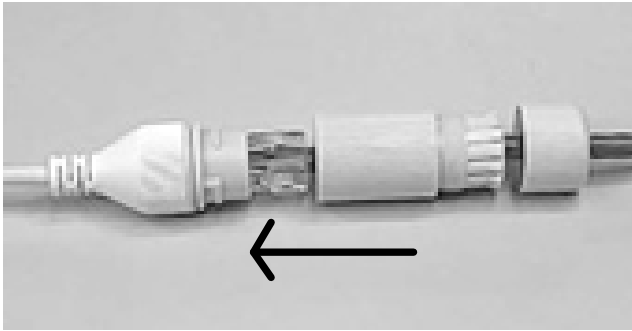
2. Insert the waterproof components through the Ethernet cable as shown below.



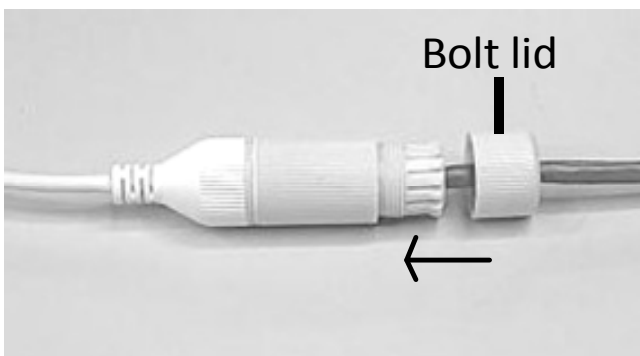
3. Insert the cylindrical waterproof ring into waterproof bolt.



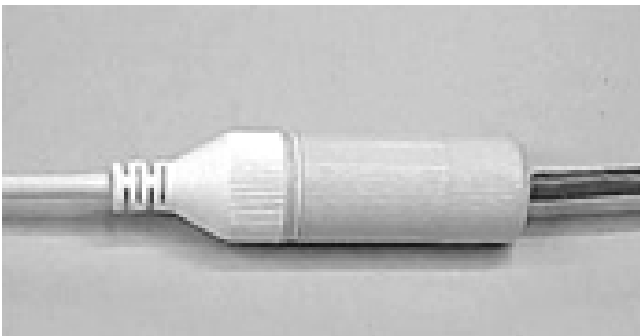
4. Insert the cable into the RJ-45 plug and screw the waterproof bolt in.



5. Screw in the waterproof bolt lid.



6. Finish the waterproof Installation.




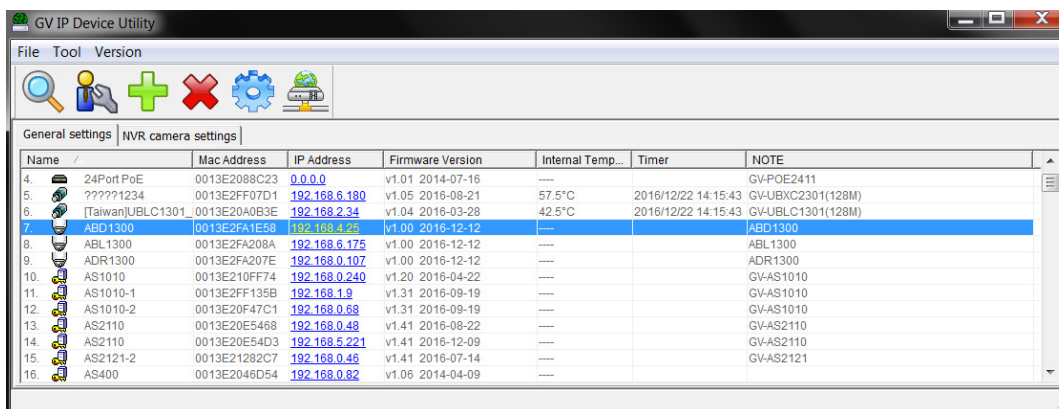
4. Accessing the Camera

4.1 Looking Up the Dynamic IP Address

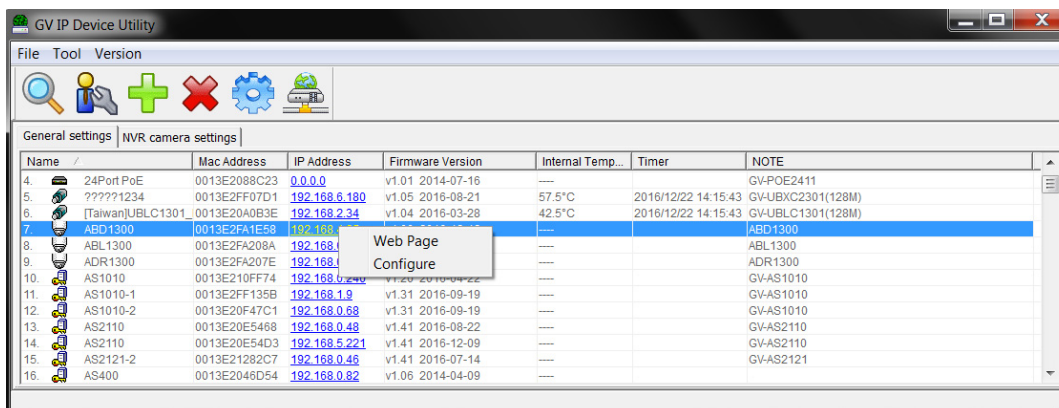
By default, when the camera is connected to LAN with a DHCP server, it is automatically assigned with a dynamic IP address. Follow the steps below to look up its IP address.

Note: The computer you use to configure the IP address must be under the same LAN with your camera.

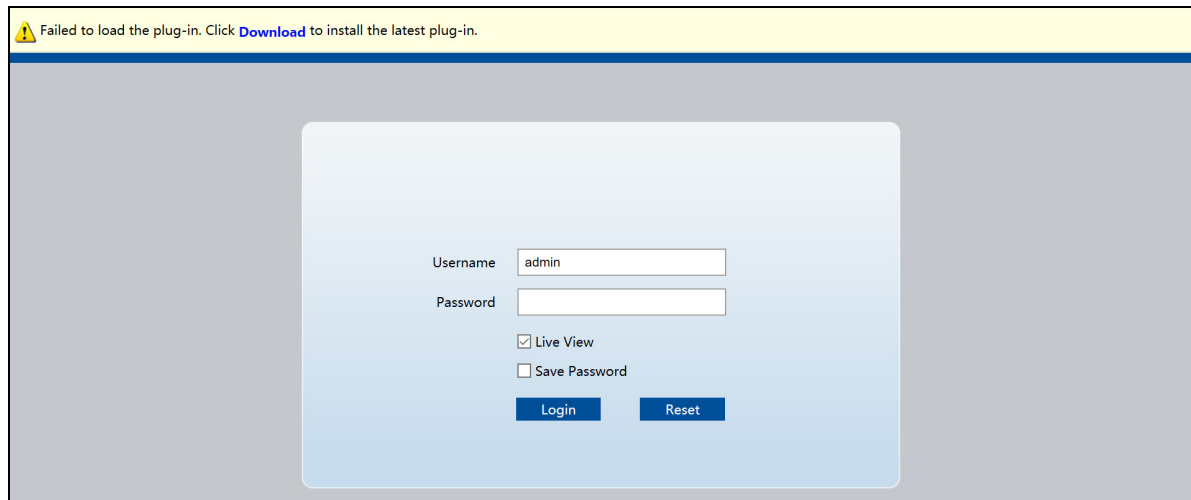
1. Download and install the GV-IP Device Utility program from http://www.geovision.com.tw/english/5_8.asp
2. On the GV-IP Utility window, click the  button to search for the IP devices connected in the same LAN. Click the **Name** or **Mac Address** column to sort.



3. Find the camera with its Mac Address, click on its IP address and select **Web Page**.



4. The login page appears.



Failed to load the plug-in. Click [Download](#) to install the latest plug-in.

Username

Password

Live View

Save Password

5. For the first time accessing the Web interface, download and install the plug-in.
6. Type the default ID and password **admin** and click **Login** to log in.

4.2 Configuring the IP Address

If the camera is connected to LAN without a DHCP server, the default IP address will be **192.168.0.10**. Follow the steps below to modify the IP address to avoid IP conflict with other GV-IP devices on the same LAN.

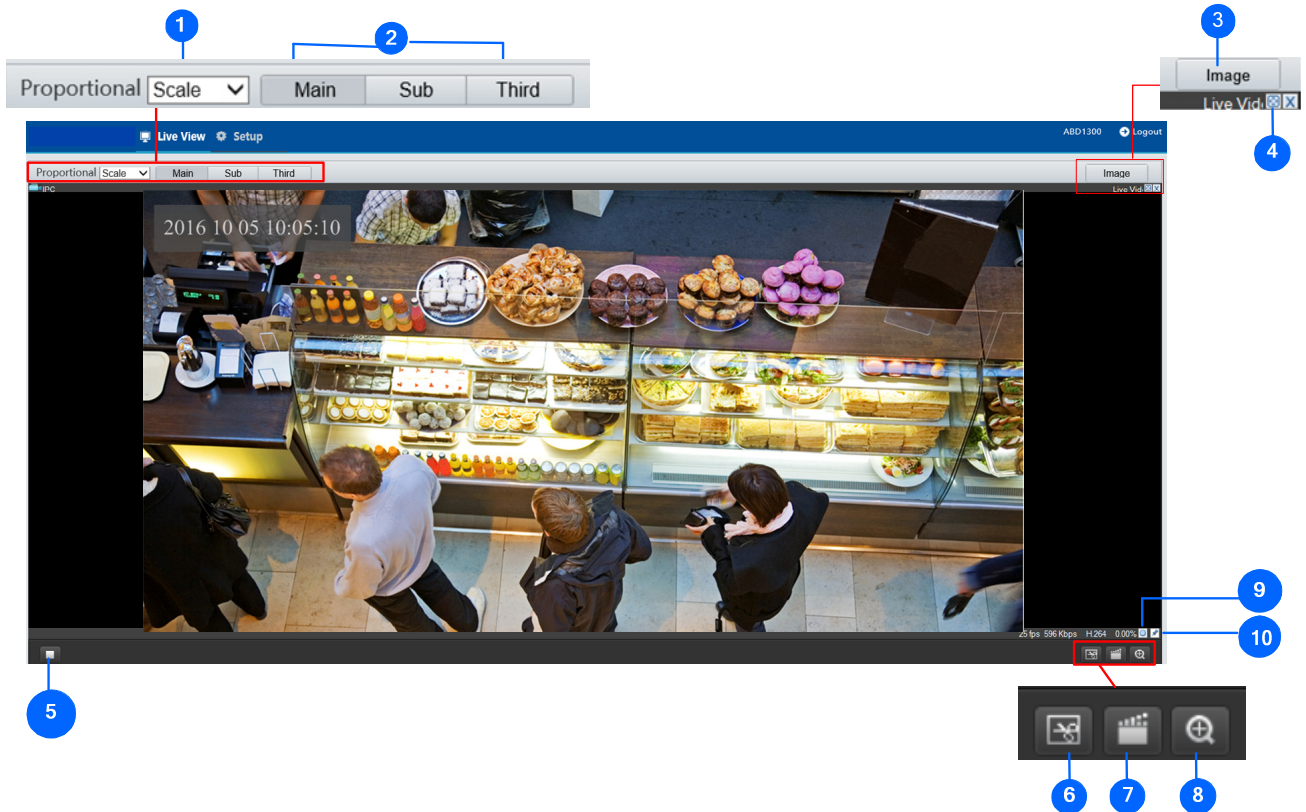
1. Open your web browser, and type the default IP address <http://192.168.0.10>.
2. In both Login and Password fields, type the default value **admin**. Click **Login**.
3. Click **Setup**, select **Common** in the left menu and select **Ethernet**.



The screenshot displays the camera's web interface. At the top, there are two tabs: 'Live View' and 'Setup', with 'Setup' being the active tab. On the left side, there is a navigation menu with categories: 'Common', 'Network', 'Video', 'Image', 'Events', 'Security', and 'System'. Under the 'Common' category, several options are listed: 'Basic Info', 'Local Settings', 'Ethernet' (highlighted with a red box), 'Time', 'OSD', and 'User'. The main content area is titled 'Ethernet' and contains two sections: 'IPv4' and 'IPv6'. The 'IPv4' section is expanded and shows the following settings: 'IP Obtain Mode' is set to 'Static IP' (selected in a dropdown), 'IPv4 Address' is '192.168.1.13', 'Subnet Mask' is '255.255.255.0', and 'Default Gateway' is '192.168.1.1'. The 'IPv6' section is collapsed and shows 'IPv6 Mode' set to 'Manual' (selected in a dropdown), 'IPv6 Address' is empty, 'Prefix Length' is '64', and 'Default Gateway' is empty. Below these sections, there are three more settings: 'MTU' is '1500', 'Port Type' is 'FE Port' (selected in a dropdown), and 'Operating Mode' is 'Auto-negotiation' (selected in a dropdown). At the bottom of the configuration area, there is a blue 'Save' button.





4. Select **Static IP** from the IP Obtain Mode drop-down list.
5. Enter the IP address, subnet mask, and default gateway address. Make sure that the IP address of the camera is unique in the network.
6. Click **Save**.

5. The Web Interface

Once you log in the Web interface, you will see the live view as shown below.



No.	Name	Function
1	Proportional	Set the display ratio of the image. <ul style="list-style-type: none"> • Scale: display images by 16:9. • Stretch: display images by window size. • Original: display images in its original size.
2	Live Stream	Select a live video stream: main stream, sub stream or third stream.
3	Image	Open the image setting page.
4	Full Screen Mode	Display in full screen mode.
5	Play/Stop	Play or stop live video.
6	Snapshot	Take a snapshot of the current image displayed on the PC.
7	Local Recording	Start  or stop  local recording.

8	Digital Zoom	Start  or stop  digital zoom.
9		Reset the packet loss rate to zero.
10		Display packet loss rate and bit rate information in the bottom.

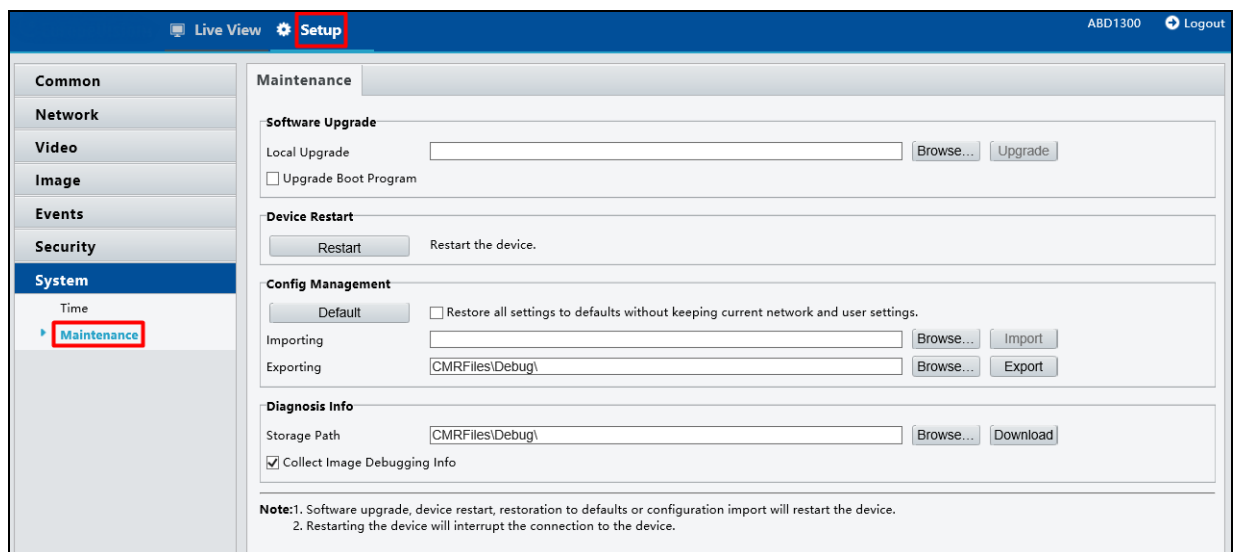
Note:

1. The paths for saving snapshots and local recordings are set in System Configuration.
2. The buttons (No. 9 and No. 10) will appear on the floating toolbar after you move the mouse cursor on a live view window.
3. Click the button (No. 10) to display the bottom information. Click this button again, the bottom information is displayed if the mouse cursor is moved on a live view window or on the bottom information, and it hides automatically if the mouse cursor remains on a live view window for 3 seconds or leaves the window.

6. Upgrading System Firmware

We periodically release the updated firmware on the website. To load the new firmware into the camera, follow the instructions below.

1. At the top of the Web interface, click **Setup**.
2. In the left menu, select **System** and select **Maintenance**. This page appears.



The screenshot shows the camera's web interface. At the top, there is a navigation bar with 'Live View' and 'Setup' (highlighted with a red box). The user is logged in as 'ABD1300' and can click 'Logout'. On the left, a sidebar menu shows 'System' selected, with 'Maintenance' (highlighted with a red box) as a sub-option. The main content area is titled 'Maintenance' and contains the following sections:

- Software Upgrade:** Includes a 'Local Upgrade' text input field, a 'Browse...' button, and an 'Upgrade' button. There is also an unchecked checkbox for 'Upgrade Boot Program'.
- Device Restart:** Includes a 'Restart' button and the text 'Restart the device.'
- Config Management:** Includes a 'Default' button, a checkbox for 'Restore all settings to defaults without keeping current network and user settings.', an 'Importing' text input field with a 'Browse...' button and an 'Import' button, and an 'Exporting' text input field with a 'Browse...' button and an 'Export' button.
- Diagnosis Info:** Includes a 'Storage Path' text input field with a 'Browse...' button and a 'Download' button. The checkbox for 'Collect Image Debugging Info' is checked.

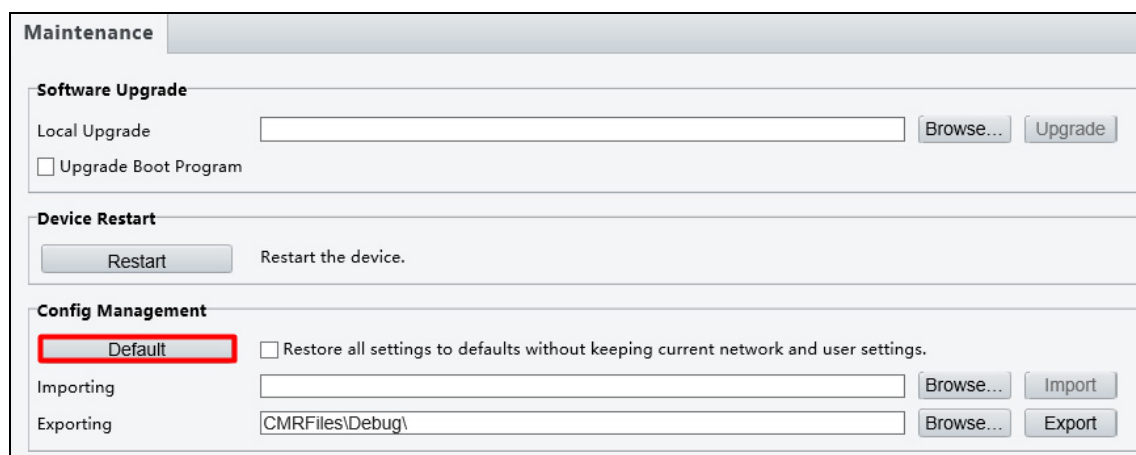
Note: 1. Software upgrade, device restart, restoration to defaults or configuration import will restart the device.
2. Restarting the device will interrupt the connection to the device.

3. Click the **Browse** button to locate the firmware file (.zip) saved at your local computer.
4. Optionally select **Upgrade Boot Program** to reboot the camera after a successful upgrade.
5. Click the **Upgrade** button to process the upgrade.

7. Restoring to Factory Default

You can restore the camera to factory default settings using the Web interface.

1. At the top, click **Setup**.
2. In the left menu, select **System** and select **Maintenance**.
3. Under the **Config Management** section, click the **Default** button.



The screenshot shows the Maintenance web interface. The 'Config Management' section is visible, with the 'Default' button highlighted in red. The interface includes sections for Software Upgrade, Device Restart, and Config Management. The 'Default' button is located under the 'Config Management' section, next to a checkbox labeled 'Restore all settings to defaults without keeping current network and user settings.' Below this, there are fields for 'Importing' and 'Exporting' with 'Browse...' and 'Import'/'Export' buttons.

Note: There is no default button on the camera.
