

ED8004H5-FN is a 4 CH 8MP / 5MP / 4MP / 3MP / 1080P / 720P / WD1 high definition DVR with ability to connect analog and IP cameras simultaneously, which adopts the standard H.265 high profile compression format and the advanced SOC technique to ensure real time recording in each channel and realize outstanding robustness of the system.

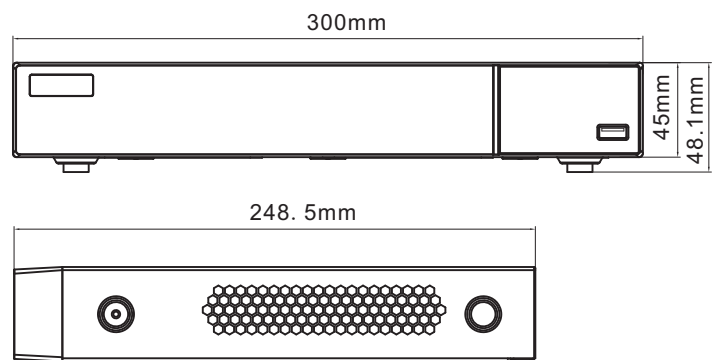
ED8004H5-FN supports 4CH video input, 4 CH audio input, and simultaneous 4 CH playback. The series of product can meet different security requirements of home, financial, commerce, enterprise, transportation and government, etc.



## Features

- 4 CH TVI / AHD / CVI 8MP / 5MP / 4MP / 3MP / 1080P / 720P / WD1 video input
- Adopt standard H.265 high profile compression format to get high-quality video at much lower bit rate
- Intuitive and user-friendly Graphics User Interface ( GUI ), window style operation by mouse
- Multi-mode recording: manual / timed / motion
- Playback : 4 CH simultaneously playback
- Search: time slice, time, event, tag and smart search
- Express and flexible backup via USB, network and so on
- Pentaplex: preview, record, playback, backup and remote access
- DHCP, DDNS, PPPoE network protocol
- Remote control via Web Client or CMS : preview, playback, backup, PTZ and configuration
- Dual stream technology for local storage with high definition, remote network transmission and remote surveillance with mobile device
- Authorization management, log review and device status review
- HDMI 4K output, true high resolution display
- Support PTZ preset and auto cruise, up to 255 presets and 8 cruises
- Support NAT function and QRCode scanning by mobile phones
- Powerful mobile surveillance by smart phones with iOS and Android OS

## Dimensions



## Specifications

| Model                    |  | ED8004H5-FN  |
|--------------------------|--|--|
| System                   | OS   | Embedded Linux   |
| Video                    | Analog Video Input                         | BNC × 4  |
|                          |  | BNC interface (1.0Vp-p; 75Ω)   |
|                          |  | TVI/AHD/CVI : 4K@15fps, 5MP@20fps, 4MP/3MP/1080P/720P/WD1@30fps (live)   |
|                          | IP Video Input                             | 2CH  |
|                          |  | Up to 8MP@20fps; lower than 8MP@30fps  |
|                          | Total Input                                | 6CH  |
|                          | Output                                     | HDMI × 1 : 3840 × 2160 / 1920 × 1080 / 1280 × 1024 / 1024 × 768 VGA × 1 : 1920 × 1080 / 1280 × 1024 / 1024 × 768<br>BNC × 1 : CVBS ( used as the main or spot output )   |
|                          | Compression                                | H.264/H.265  |
| Multi-screen Display     | 1/4/6/8/9                                  |  |
| Audio                    | Input                                      | RCA × 4  |
|                          | Output                                     | RCA × 1 (linear, 600Ω)   |
|                          | Two-way audio                              | Take up channel one audio input  |
|                          | Compression                                | G.711(U/A)   |
| Record                   | Resolution                                 | 4K/4K Lite/5MP/5MP Lite/4MP/4MP Lite / 3MP/1080P/720P/WD1/D1   |
|                          | Frame Rate                                 | Analog Channel:<br>4K@6fps /7fps (PAL/NTSC) (only CH1 supports)<br>4K Lite@12fps/15fps (PAL/NTSC) 5MP@12fps (PAL / NTSC)<br>5MP Lite@20fps (PAL / NTSC) 4MP/3MP@12fps / 15fps (PAL / NTSC)<br>4MP Lite/1080P/720P/WD1/D1@25fps / 30fps (PAL / NTSC)<br><br>IP Channel: 8MP@ 20fps(PAL / NTSC); lower than 8MP@25fps / 30fps (PAL / NTSC) |
|                          | Bit Rate                                   | 32Kbps ~ 4Mbps   |
|                          | Mode                                       | Manual, timed, motion, smart event   |
| Playback                 | Playback                                   | 4CH  |
|                          | Search                                     | Time slice / time / event / tag search   |
|                          | Smart Search                               | Highlight colors to display the camera record in a certain period of time, different colors refer to different record events   |
|                          | Function                                   | Play, pause, FF, FB, digital zoom, etc.  |
| Alarm                    | Mode                                       | Manual, motion, exception, smart event   |
|                          | Input                                      | 4CH  |
|                          | Output                                     | 1CH  |
| Network                  | Interface                                  | RJ 45 100Mbps × 1  |
|                          | Protocol                                   | TCP / IP, PPPoE, DHCP, DNS, DDNS, UPnP, HTTP, HTTPS, NTP, SMTP   |
|                          | Incoming Bandwidth                         | 16Mbps   |
|                          | Outgoing Bandwidth                         | 40Mbps   |
|                          | Client Connection                          | Max. 10 users access   |
| Mobile Device            | OS   | iOS, Andriod   |
| Storage                  | HDD  | SATA× 1, up to 10TB per HDD; E-SATA× 1   |
| Backup                   | Local Backup                               | U disk, USB mobile HDD   |
|                          | Network Backup                             | Yes  |
| Port                     | RS 485                                     | Yes (half-duplex), connect to PTZ or keyboard  |
|                          | USB  | USB 2.0 × 2  |
|                          | Remote Controller                          | Optional   |
| Others                   | Power Supply                               | DC12V / 2A   |
|                          | Consumption                                | ≤ 10W ( without HDD )  |
|                          | Dimensions(mm)                             | 300 × 249 × 45( W × D × H )  |
|                          | Working Environment                        | -10~50°C, 10%~90% (humidity)   |
|                          | Certificate                                | CE, FCC  |
| Environmental Protection | Comply with Directive EU RoHS, WEEE, REACH |  |