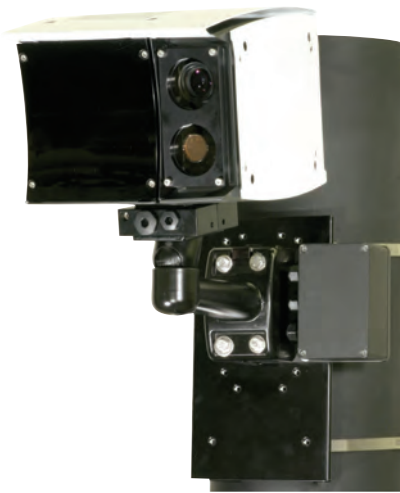


REG-Z1 License Plate Cameras

www.boschsecurity.com



BOSCH
Invented for life



- ▶ Consistent, reliable 24/7 capture regardless of weather or lighting conditions
- ▶ Integrated color overview camera for surrounding area surveillance
- ▶ Capture at up to 190 kph (120 mph) for highways, motorways and other high-speed applications
- ▶ Average LED operational life of more than 5 years

The REG-Z1 series delivers advanced performance in vehicle license plate capture. Integrating advances in optics, infrared illumination and ambient rejection technology, the REG-Z1 delivers high contrast license plate images consistently and reliably.

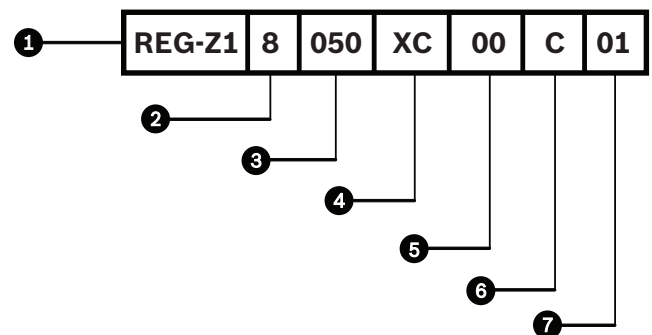
The REG-Z1 has an operational range of up to 50 m (164 ft) or 37 m (120 ft) depending on number plate size. Ambient rejection technology ensures that the REG-Z1 provides high contrast license plate images across the complete spectrum of ambient lighting conditions, from total darkness to direct glare from sunlight or vehicle headlights.

The REG-Z1 series offers a choice of single license plate capture camera or license plate capture with integrated color camera to provide overview images of the surrounding area including vehicle color, shape and model. A high-speed optical engine captures plates from vehicles traveling at speeds of up to 190 kph (120 mph), making REG-Z1 suitable for motorways, highways and other high speed applications.

IP66 / NEMA4 rated, the REG-Z1 is field proven for unrivalled performance in extreme environments. REG-Z1's LED array eliminates the need for routine bulb changes and delivers an average operational life of more than 5 years.

The REG-Z1 integrates easily with industry standard DVRs, NVRs, IP video servers and wireless broadband equipment. The REG-Z1's imaging technology delivers the high contrast images needed for Automatic License Plate Recognition (ALPR). The REG-Z1 includes a wall bracket for immediate mounting and for pole mount applications, an optional pole-mount bracket is available.

Installation/Configuration Notes



1	Model		REG-Z1
2	Wavelength	8	850 nm

3	Lens/Range	050	50 mm
		075	75 mm
		100	100 mm (not available in CCIR version)
4	Camera Type	X0	Number Plate Capture Only
		XC	Number Plate Capture and Color Overview
5	Reserved		
6	Region	C	CCIR
		E	EIA
7	Color	01	Black

Technical Specifications

General Specification

CCDs	License Plate Capture CCD	Color Overview CCD
Sensor	LXR CCD	LXR CCD
Resolution	520 TVL	540 TVL color
S/N Ratio	Greater than 48 dB	Greater than 48 dB
Video Output	High Contrast 1 Vpp at 75 ohm	1 Vpp at 75 ohm
Sensitivity	Zero lux (works in total darkness)	0.1 lux at F1.2
Lens	Choose from lens selector table below	Varifocal 5 to 50 mm with auto-iris
Infrared Illumination	850 nm	
LEDs	IR LED array	
Power Requirement	24 VAC or VDC	
Power Consumption	30 W (1.3 A at 24 VAC)	
Temperature	-50 °C to +50 °C (-58 °F to +122 °F)	
Environmental	IP66	
Construction	Robust, aluminum extrusion, polycarbonate, ABS alloy, borosilicate 2.5mm window	
Weight	6.5 kg (14.2 lbs)	
Dimensions	236 x 224 x 261 mm (9.3 x 8.8 x 10.3 in)	
Color	Black with white sunshields	

Camera Selection Tables

Range for 12 x 6 in (305 x 152 mm) number plates (common in North America)

Model	Range	Optimal Distance
-------	-------	------------------

REG-Z1-8050	14 to 20 m (45 to 65 ft)	15 m (50 ft)
REG-Z1-8075	20 to 26 m (65 to 85 ft)	23 m (75 ft)
REG-Z1-8100	26 to 37 m (85 to 120 ft)	30 m (100 ft)

Range for 520 x 111 mm (20.5 x 4.4 in) number plates (common in Europe)

Model	Range	Optimal Distance
REG-Z1-8050	15 to 25 m (49 to 82 ft)	22 m (72 ft)
REG-Z1-8075	20 to 35 m (66 to 115 ft)	28 m (92 ft)
REG-Z1-8100	30 to 50 m (100 to 164 ft)	42 m (138 ft)

Ordering Information

REG-Z1-8050-XC-00C-01 License Plate Camera
Cam/LED REG-Z1 Image/LP Capture 50 mm PAL
Order number **REG-Z1-8050-XC-00C-01**

REG-Z1-8075-XC-00C-01 License Plate Camera
Cam/LED REG-Z1 Image/LP Capture 75 mm PAL
Order number **REG-Z1-8075-XC-00C-01**

REG-Z1-8100-XC-00C-01 License Plate Camera
Cam/LED REG-Z1 Image/LP Capture 100 mm PAL
Order number **REG-Z1-8100-XC-00C-01**

REG-Z1-8050-XO-00C-01 License Plate Camera
Cam/LED REG-Z1 LP Capture 50 mm PAL
Order number **REG-Z1-8050-XO-00C-01**

REG-Z1-8075-XO-00C-01 License Plate Camera
Cam/LED REG-Z1 LP Capture 75 mm PAL
Order number **REG-Z1-8075-XO-00C-01**

REG-Z1-8100-XO-00C-01 License Plate Camera
Cam/LED REG-Z1 LP Capture 100 mm PAL
Order number **REG-Z1-8100-XO-00C-01**

REG-Z1-8050-XC-00E-01 License Plate Camera
Cam/LED REG-Z1 Image/LP Capture 50 mm NTSC
Order number **REG-Z1-8050-XC-00E-01**

REG-Z1-8075-XC-00E-01 License Plate Camera
Cam/LED REG-Z1 Image/LP Capture 75 mm NTSC
Order number **REG-Z1-8075-XC-00E-01**

REG-Z1-8100-XC-00E-01 License Plate Camera
Cam/LED REG-Z1 Image/LP Capture 100 mm NTSC
Order number **REG-Z1-8100-XC-00E-01**

REG-Z1-8050-XO-00E-01 License Plate Camera
Cam/LED REG-Z1 LP Capture 50 mm NTSC
Order number **REG-Z1-8050-XO-00E-01**

REG-Z1-8075-XO-00E-01 License Plate Camera
Cam/LED REG-Z1 LP Capture 75 mm NTSC
Order number **REG-Z1-8075-XO-00E-01**

REG-Z1-8100-XO-00E-01 License Plate Camera
Cam/LED REG-Z1 LP Capture 100 mm NTSC
Order number **REG-Z1-8100-XO-00E-01**

Accessories

EXPS.009 VAC Power Supply

Power supply 24 VAC, 2500 mA RoHS
Order number **EXPS.009**

EXMB.017B Wall Mount Adapter Bracket

Wall Mount Adapter, Black
Order number **EXMB.017B**

EXMB.028B Cable Managed Wall Bracket

Cable-managed arm bracket, black
Order number **EXMB.028B**

EXMB.015B Pole Mount Adapter Bracket

Pole Mount Adapter, black
Order number **EXMB.015B**

EXMB.061 Pole Top Bracket

Stainless Pole Top Bracket
Order number **EXMB.061**

Represented by:

Americas:

Bosch Security Systems, Inc.
130 Perinton Parkway
Fairport, New York, 14450, USA
Phone: +1 800 289 0096
Fax: +1 585 223 9180
security.sales@us.bosch.com
www.boschsecurity.us

Europe, Middle East, Africa:

Bosch Security Systems B.V.
P.O. Box 80002
5617 BA Eindhoven, The Netherlands
Phone: + 31 40 2577 284
Fax: +31 40 2577 330
emea.securitysystems@bosch.com
www.boschsecurity.com

Asia-Pacific:

Robert Bosch (SEA) Pte Ltd, Security
Systems
11 Bishan Street 21
Singapore 573943
Phone: +65 6571 2808
Fax: +65 6571 2699
apr.securitysystems@bosch.com
www.boschsecurity.asia

China:

Bosch (Shanghai) Security Systems Ltd.
201 Building, No. 333 Fuquan Road
North IBP
Changning District, Shanghai
200335 China
Phone +86 21 22181111
Fax: +86 21 22182398
www.boschsecurity.com.cn

America Latina:

Robert Bosch Ltda Security Systems Division
Via Anhanguera, Km 98
CEP 13065-900
Campinas, Sao Paulo, Brazil
Phone: +55 19 2103 2860
Fax: +55 19 2103 2862
al.securitysystems@bosch.com
www.boschsecurity.com