

# LTC 8900 Series Allegiant Matrix/Control Systems - Modular

www.boschsecurity.com



**BOSCH**

Invented for life



- ▶ 4096 Camera by 512 monitor switching
- ▶ Modular construction
- ▶ Powerful alarm handling capabilities
- ▶ SalvoSwitching and SatelliteSwitch capability
- ▶ Includes Windows-based configuration software

The LTC 8900 Series Allegiant Video Switcher/Control Systems are powerful full matrix switchers, capable of displaying video from any camera on any monitor, either manually or via independent automatic switching sequences. By using the LTC 8901 Series CPU and the LTC 8943 series PC, the standard system can be enhanced to include dual/redundant CPU/Power supply with automatic hot-switchover capabilities.

## Functions

### General Construction

The LTC 8900 Series provides versatile modular construction accommodating up to 4096 camera inputs, 512 monitor outputs, 120 keyboards, 1024 alarm points, and a computer interface port. The robust design utilizes a separate CPU bay with its own power supply.

### Dual/Redundant System

For situations where complete system failure cannot be tolerated, we offer the dual redundant LTC 8901 CPU. This CPU unit incorporates a secondary CPU/power supply. In the event of a primary CPU or power

supply failure, the system switches over automatically to the backup CPU or power supply. The system uses an independent PC that continuously monitors the CPUs for failure and performs a hot-switchover if needed. You can also manually change CPUs using the preloaded software or via a front panel slide switch.

### Sequencing Capabilities

These systems can be programmed with up to 256 sequences, which can be run independently of each other in either a forward or reverse direction. Any of the sequences can utilize the SalvoSwitching capability, where any number of system monitors may be selected to switch as a group. Using the supplied software, sequences can automatically activate and deactivate based upon the day or the time of day.

### Camera Control

The LTC 8900 Series support variable speed operation and full programming access for AutoDome and AutoDome Easy II Series cameras. In addition, on-site receiver/drivers are available to provide operator control of pan, tilt, zoom, pre-positions, auxiliaries,

auto-pan, and random scan functions when used with conventional pan/tilt devices. An integral local test function is also a standard feature.

The LTC 8900 Series include an impressive user-based priority system and a series of programmable lockout tables to limit operator access of remotely controlled devices. Operators can restrict control from lower priority operators either manually or automatically. When enabled to operate automatically, a built-in time-out period is user programmable.

### **Bilinx Capability**

When combined with an LTC 8016 Allegiant Bilinx Data Interface unit, these switcher/controllers support operations using Bilinx communication. With Bilinx, PTZ control is accomplished using a bidirectional communication protocol embedded in the video signal of Bosch Dinion® AutoDome, and AutoDome Easy II CCTV cameras. In addition, Bilinx uses the standard video cable to transmit alarm and status messages from the cameras, providing superior performance without the need for separate data transmission cables.

### **Macro Capabilities**

The LTC 8900 system provides powerful macro capabilities. Macros can be activated using Allegiant Series system keyboards, timed event functions, and alarm activations.

### **Alarm Capabilities**

The LTC 8540/00 alarm interface unit allows external contact closure or logic level input to automatically display cameras on a monitor or group of monitors. The supplied PC software includes the ability to combine multiple alarm operating modes within the same system. Alarm video may be selected to reset either manually or automatically. In addition, one can customize a 16-character alarm titles to designate the specific alarm condition.

### **System Operation**

System operation and programming is accomplished using a full-function, ergonomically designed keyboard. Up to 120 keyboards may be used in the system. Built-in operator priority levels and the ability to restrict certain operators from controlling designated functions provide maximum flexibility.

### **Programming/Software Capabilities**

The LTC 8900 Series includes a black outlined 48-character on-screen display for time/date, camera number, camera ID (16 or 40 characters), and monitor (12 characters) or status information. A user selectable option provides the ability to display a third line of on-screen text. This third line can be configured to display up to 24 additional camera title characters (40 characters total) or a 12-character monitor title. The on-screen display is also user selectable to operate in "6-digit Camera ID" mode. When enabled, 2-digit "site numbers" are displayed in addition to the 4-digit camera number. The 2-digit site number feature

is especially useful when groups of cameras are located in separate buildings, floors, or other common areas.

Over 1,000 characters covering a multitude of languages, (including several hundred Chinese symbols) are available to help program camera ID and monitor titles. Using the supplied PC software, enhanced programming and switching features can be obtained. A user friendly spreadsheet format allows one to easily enter/change camera titles, operator names, timed events (128), system parameters, camera sequences, lockouts, and advanced alarm response programming. The software also provides the ability to enable an on-screen indicator for easy identification of controllable cameras. Another useful feature of the software is its ability to store or print (in real-time) programming information, system events, alarms, switching functions, sequence events, keyboard actions, and video loss information.

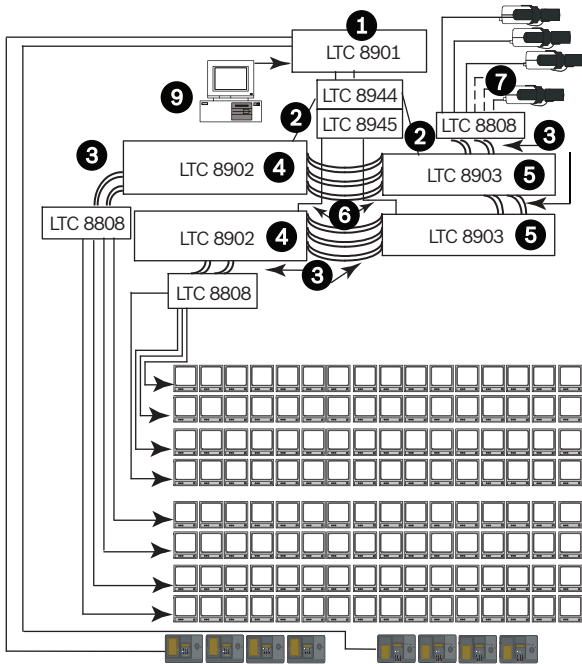
### **Expansion Capabilities**

The LTC 8900 Series can serve as the Master or Slave Switcher in a SatelliteSwitch® configuration. This innovative SatelliteSwitch feature enables a single LTC 8900 system to communicate with remotely located Satellite systems. Any Allegiant system can serve as a remote Satellite Switcher. This powerful feature permits the design of large distributed type systems. The main control site can view and control local cameras as well as cameras located at any of the remotely distributed Satellite sites. The Satellite sites can view and control only cameras associated with their local site. When used in this type of configuration, the main LTC 8900 system can access up to 256 Satellite sites.

## **Certifications and approvals**

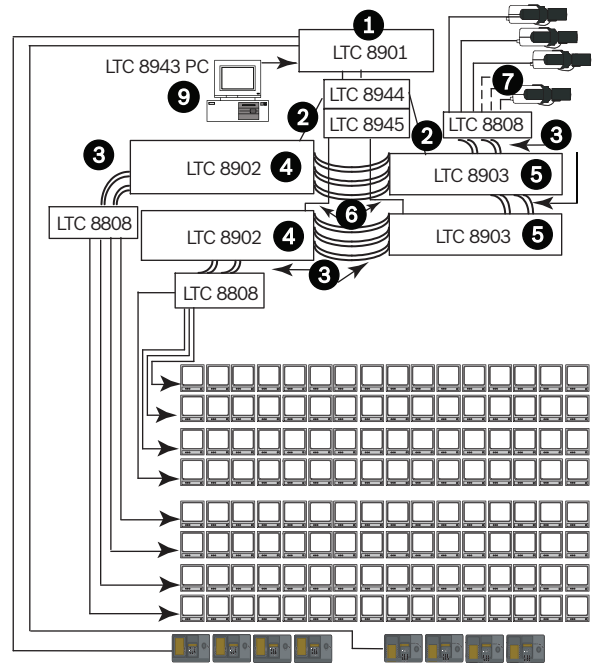
<b>Electromagnetic Compatibility (EMC)</b>	Complies with FCC Part 15, ICES-003, and CE regulations
<b>Product Safety</b>	Complies with CE regulations, UL, CSA, EN, and IEC Standards

Installation/configuration notes



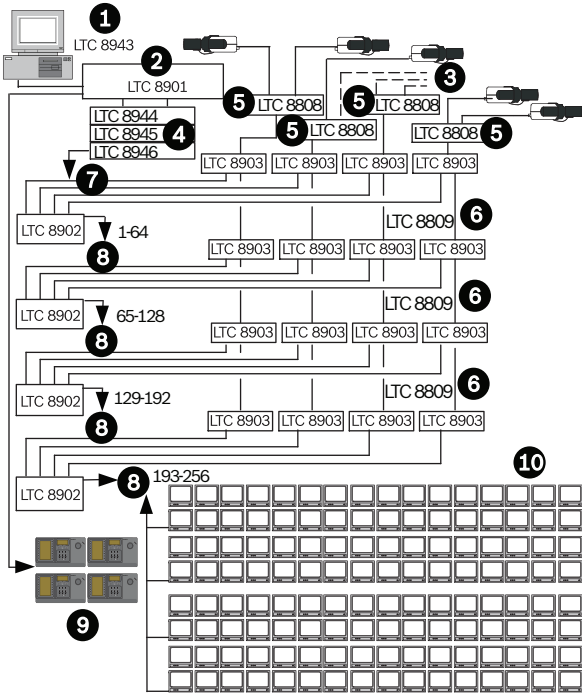
Typical Diagram of LTC 8904 Series System Configuration (256 Cameras by 128 Monitors)

- 1 Main CPU Bay
- 2 LAN Data Lines
- 3 LTC 8809 Cables
- 4 Video Output Bay
- 5 Video Input Bay
- 6 Camera
- 7 Monitors
- 8 Keyboards
- 9 User PC



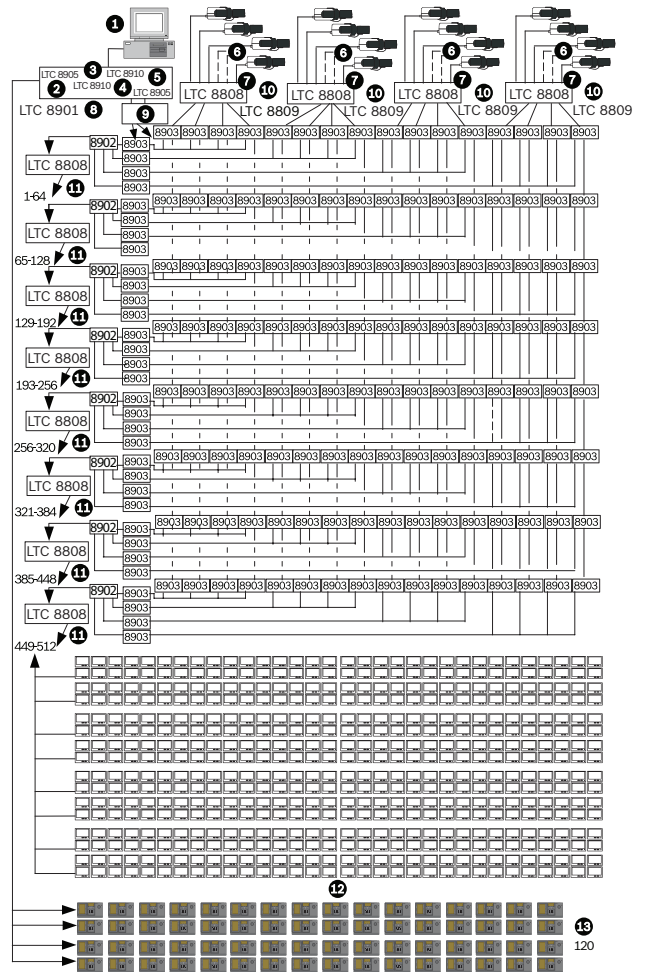
Typical Diagram of LTC 8901 Series Redundant System Configuration (256 Cameras by 128 Monitors)

- 1 Main CPU Bay
- 2 LAN Data Lines
- 3 LTC 8809 Cables
- 4 Video Output Bay
- 5 Video Input Bay
- 6 Camera
- 7 Monitors
- 8 Keyboards
- 9 PC



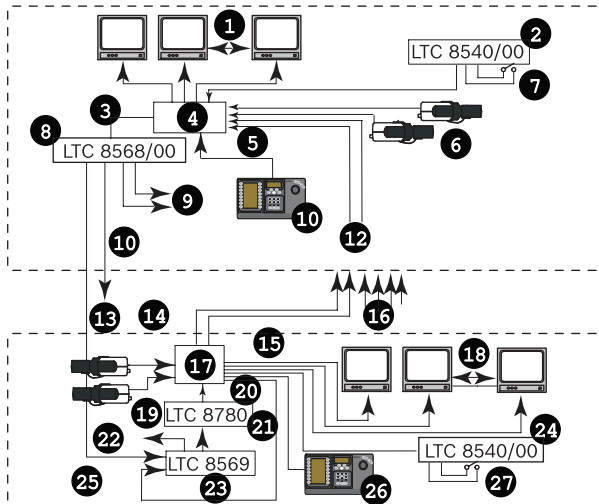
Typical Diagram of LTC 8901 Series Redundant System Configuration (1024 Cameras by 256 Monitors)

- 1 PC Running Configuration, Redundancy, and Data Mirroring Software
- 2 Main CPU Bay
- 3 Cameras
- 4 LAN Switchers
- 5 Video Panels
- 6 Coax Ribbon Cables
- 7 LAN Data Lines to all Bays
- 8 To Monitors
- 9 Up to 120 System Keyboards (Using LTC 8714 and LTC 8715 Series Port Expanders)
- 10 Up to 512 System Monitors
- 0



Typical Diagram of LTC 8901 Series Redundant System Configuration (4096 Cameras by 512 Monitors)

- 1 PC Running Configuration Software
- 2 Main Power Supply
- 3 Main CPU Module
- 4 Backup CPU Module
- 5 Backup Power Supply
- 6 Cameras
- 7 Video Panels
- 8 Main CPU Bay
- 9 LAN Switches
- 10 Coax Ribbon Cables
- 0
- 1 To Monitors
- 1
- 1 Up to 512 System Monitors
- 2
- 1 UP to 120 System Keyboards (Using LTC 8714 and LTC 8715 Series Port Expanders)
- 3



Allegiant Satellite Switching System

- 1 Monitor Outputs
- 2 Alarm Interface Unit
- 3 Pan/Tilt/Zoom and Satellite Control Data
- 4 Allegiant Main CPU Bay
- 5 Alarm Inputs May Activate Either Local or Satellite Video Main Control Center's Monitor
- 6 Local Camera Video
- 7 Inputs Used for both Local and Trunk Lines
- 8 Signal Distribution Unit
- 9 To any Local Pan/Tilt/Zoom Camera Sites
- 10 Up to 1.5 km (5000 ft) using 1 sq mm (18 AWG) Shielded Twisted Pair (Belden 8760 or Equivalent)
- 11 Allegiant Keyboard Controls any Local or Remote Camera on any Local Monitor (Video and Pan/Tilt/Zoom)
- 12 Multiple Video Trunk Lines from each Remote Satellite Location
- 13 One Line to Each Remote Satellite System Location
- 14 Pan/Tilt/Zoom and Satellite Control Data
- 15 Monitor Outputs used as Video Trunk Lines to Main Control Site
- 16 Video Trunk Lines from other Satellite Locations
- 17 Any Model Allegiant Main Bay
- 18 Local Monitor
- 19 Console Port Input
- 20 Satellite Data Line
- 21
- 22
- 23
- 24
- 25
- 26
- 27

- 2 Data Converter Unit
- 1
- 2 To any Local Pan/Tilt/Zoom Camera Sites
- 2
- 2 Code Merger Unit
- 3
- 2 Alarm Interface Unit
- 4
- 2 Local Pan/Tilt/Zoom Control Data Line
- 5
- 2 Alarm Inputs Activate only Local Video on Local Monitors
- 6
- 2 Allegiant Keyboard Controls any of the Local Cameras on any of the Local Monitors (Video and Pan/Tilt/Zoom)
- 7

**Technical specifications**

**LTC 8900 Series System Specifications**

**Capacities**

Video Inputs	
Standard	4096
Satellite Configuration	6144
Video Outputs	
	512
Keyboards	
	120
Alarm Inputs	
	1024
Receiver/Drivers	
Standard	4096
Satellite Configuration	6144

**Electrical**

Input Voltage Level	0.5 Vp-p to 2 Vp-p (composite negative sync)		
Gain	Unity ± 2% (75 Ohm terminated)		
Pulse/Bar Ratios <sup>1</sup>	<b>Min.</b>	<b>Nom.</b>	<b>Max.</b>
	94%	98%	106%
2T Pulse K Factor <sup>1</sup>	<b>Min.</b>	<b>Nom.</b>	<b>Max.</b>
		0.2%	2.5%
Bar Amplitude (IRE) <sup>1</sup>	<b>Min.</b>	<b>Nom.</b>	<b>Max.</b>
	96	98	104
Sync Amplitude (% Bar) <sup>1</sup>	<b>Min.</b>	<b>Nom.</b>	<b>Max.</b>
	36%	39%	44%
Field Time Waveform Distortion <sup>1</sup>	2% maximum		
Line Time Waveform Distortion <sup>1</sup>	1% maximum		
Short Time Waveform Distortion <sup>1</sup>	2% maximum		

Long Time Waveform Distortion <sup>1</sup>	0.8% maximum		
Video Bandwidth (-3 dB)	17 MHz		
Frequency Response	± 0.5 dB to 11 MHz		
Signal-to-Noise-Ratio <sup>1</sup>	70 dB at 3.58 MHz unified unweighted minimum		
Crosstalk (at 3.58 MHz)	Typical: -65 dB, Adjacent channel: -45 dB (typical)		
Hum	60 dB below the composite 1 Vp-p video signal from 60 Hz to 6 MHz		
Differential Gain <sup>1</sup>	<b>Min.</b>	<b>Nom.</b>	<b>Max.</b>
		0.6%	2%
Differential Phase <sup>1</sup>	<b>Min.</b>	<b>Nom.</b>	<b>Max.</b>
		0.6°	1.3°
Chrominance Luminance Gain	<b>Min.</b>	<b>Nom.</b>	<b>Max.</b>
	94%	100%	109%
Chrominance Luminance Delay <sup>1</sup>	<b>Min.</b>	<b>Nom.</b>	<b>Max.</b>
	-33 ns	+3 ns	+33 ns
Luminance Nonlinearity <sup>1</sup>	<b>Min.</b>	<b>Nom.</b>	<b>Max.</b>
		0.3%	4%
Switching	Crosspoint matrix		
DC Output	0 V		
Transient Protection (VIM Cards)	350 W Peak Pulse Power (tp = 8/20 µs)		

<sup>1</sup> Meets EIA/TIA - 250C Medium Haul Standard for 1024 cameras x 64 monitors.

## Environmental

Temperature	
Operating	4°C to 50°C (40°F to 122°F)
Storage	-40°C to 60°C (-40°F to 140°F)
Altitude	4500 m (15,000 ft)
Humidity	0 to 95 % relative, non-condensing
Vibration	3 g swept sine wave, 15 Hz to 2000 Hz
Shock	50 g, 11 m/s, ½ sine wave

## LTC 8904 CPU Equipment Bay

The LTC 8904/60 and LTC 8904/50 include the equipment rack, LTC 8910/01 microprocessor module, LTC 8905/90 power supply, and LTC 8917/00 relay module.

## Electrical

Model No.	Rated Voltage	Voltage Range	Nominal Power <sup>2</sup>
LTC 8904/60	120 VAC, 50/60 Hz	100 to 140	30 W
LTC 8904/50	220-240 VAC, 50/60 Hz	198 to 264	30 W

<sup>2</sup> Power at rated voltage fully loaded.

## Connectors

Controller Port	9-pin D-type RS-232 port for an external PC or computing device (default = 115,200 baud)
Console	9-pin D-type RS-232 port for an external computer or a computing device (default = 19,200 baud)
Alarm	9-pin D-type RS-232 port for an Allegiant alarm accessory unit (default = 19,200 baud)
Bi-Phase	9-pin D-type TTL level, high-speed control data output (BiPhase) for interface to an Allegiant series signal distribution units (data clock rate = 31.25 kHz)
COM Ports	Two 9-pin D-type RS-485 ports for an external Allegiant accessory use
Keyboards	Eight (8), 6-pin RS-485 ports for an Allegiant keyboard use (default = 9600 baud)
LAN	RJ-45 high-speed LAN port for interface to LTC 8902 Series and LTC 8903 Series bays via LTC 8946 Series LAN switches

## Components

### Equipment Rack

Dimensions (W x D x H)	EIA 48 cm (19 in.) rack, 440 x 394 x 86 mm (17.3 x 15.5 x 3.4 in.)
Weight	7.2 kg (15.85 lb)
Construction	Metal case with plastic panel
Finish	Charcoal

### Microprocessor Module (LTC 8910/01)

Dimensions (D x H)	300 x 250 mm (11.8 x 9.8 in.)
Weight	0.5 kg (1.1 lb)

### Power Supply (One-LTC 8905/90)

### Relay Module (LTC 8917/00)

Dimensions (D x H)	300 x 250 mm (11.8 x 9.8 in.)
Front Panel Indicators	Power, CPU activity

## LTC 8901 Series CPU Equipment Bay

The LTC 8901/60 and LTC 8901/50 include the equipment rack, dual LTC 8910/01 microprocessor modules, dual LTC 8905/90 power supplies, and one LTC 8917/00 relay module.

### Electrical

Model No.	Rated Voltage	Voltage Range	Nominal Power <sup>3</sup>
LTC 8901/60	120 VAC, 50/60 Hz	100 to 140	30 W
LTC 8901/50	220–240 VAC, 50/60 Hz	198 to 264	30 W

<sup>3</sup> Power at rated voltage fully loaded.

### Connectors

Controller Ports	Two (2), RS-232 ports for an LTC 8943 PC controller interface (default = 115,200 baud)
Console	RS-232 port for an external computer or a computing device (default = 19,200 baud)
Alarm	RS-232 port for an Allegiant alarm accessory unit (default = 19,200 baud)
Switch Ctrl	Digital interface port for the LTC 8943 PC controller
Bi-Phase	TTL level, hi-speed control data output (Bi-Phase) for interface to an Allegiant series signal distribution units (data clock rate = 31.25 kHz)
COM Ports	Two (2), RS-485 port for an external Allegiant accessory use
Keyboards	Eight (8), 6-pin RS-485 ports for an Allegiant keyboard use (default = 9600 baud)
LAN	Two RJ-45 high-speed LAN ports for interface to LTC 8902 Series and LTC 8903 Series bays via LTC 8944 Series and LTC 8945 Series LAN Switches

### Components

#### Equipment Rack

Dimensions (W x D x H)	EIA 48 cm (19 in.) rack, 440 x 394 x 86 mm (17.3 x 15.5 x 3.4 in.)
Weight	8 kg (17.6 lb)
Construction	Metal case with plastic panel
Finish	Charcoal

#### Microprocessor Modules (Two–LTC 8910/01)

Dimensions (D x H)	300 x 250 mm (11.8 x 9.8 in.)
Weight	0.5 kg (1.1 lb)

#### Power Supplies (Two–LTC 8905/90)

## Relay Module (LTC 8917/00)

Dimensions (D x H)	300 x 250 mm (11.8 x 9.8 in.)
--------------------	-------------------------------

### Front Panel Indicators

#### LTC 8901

Primary power  
Primary fault  
Back-up power  
Back-up fault  
Primary CPU in-use  
Controller activity  
Back-up CPU in-use  
Auto-select mode  
Primary CPU activity  
Fault buzzer  
Back-up CPU activity

#### LTC 8904

Power  
CPU Activity

### Rear Panel Indicators

Relay outputs<sup>4</sup>  
Primary CPU fault  
Back-up power supply failure  
Back-up CPU fault  
Any failure  
Primary power supply failure

<sup>4</sup> Relay Contacts: 24 VAC, 40 V peak, 1 A.

## LTC 8902 Series Monitor Output Bays

The LTC 8902/60 and LTC 8902/50 include the equipment rack, LTC 8916/01 data receiver module, and LTC 8906 Series power supply.

### Electrical

Model No.	Rated Voltage	Voltage Range	Nominal Power <sup>5</sup>
LTC 8902/60	120 VAC, 50/60 Hz	100 to 140	160 W
LTC 8902/50	220–240 VAC, 50/60 Hz	198 to 264	160 W

<sup>5</sup> Power at rated voltage fully loaded.

### Connectors

Video Outputs	Four (4), 34-pin ribbon connectors used in conjunction with the LTC 8808/00 video interconnect panel
Video Bus Connections	Sixteen (16), 34-pin ribbon connectors interconnect with LTC 8903 Series Camera Input bays using LTC 8809/00 ribbon cables
Console	Port reserved for future use
COM 1	Port reserved for future use
COM 2	Port reserved for future use



EXT Sync	BNC input used to synchronize the unit to an external sync signal. Accepts composite video, composite sync, or the V Sync output provided from another LTC 8900 Series matrix bay
V Sync	BNC connector provides an output signal to synchronize an additional LTC 8900 Series matrix bay via its EXT Sync input
External Data Interface	Two (2), RJ-45 high-speed LAN ports for interface to the LTC 8901 Main CPU bay via system LAN Switches. (Connected in parallel; one is used, one is reserved for future use)

## Components

### Equipment Rack

Dimensions (W x D x H)	EIA 48 cm (19 in.) rack, 483 x 420 x 267 mm (19 x 16.5 x 10.5 in.)
Weight	11.1 kg (24.5 lb)
Construction	Metal cabinet
Finish	Charcoal

### Data Receiver Module (LTC 8916/01)

Dimensions (W x D x H)	EIA 48 cm (19 in.) rack, 483 x 420 x 267 mm (19 x 16.5 x 10.5 in.)
Weight	0.5 kg (1.1 lb)

### Power Supply (LTC 8906/60 or LTC 8906/50)

Dimensions (W x D x H)	67 x 360 x 247 mm (2.63 x 14.2 x 9.7 in.)
Weight	5.2 kg (11.5 lb)
Indicators	Power On/Off and fuse alert LEDs

### LTC 8903 Series Camera Input Bays

The LTC 8903/60 and LTC 8903/50 include the equipment rack, LTC 8918/01 data receiver module, and LTC 8805 Series power supply.

## Electrical

Model No.	Rated Voltage	Voltage Range	Nominal Power <sup>6</sup>
LTC 8903/60	120 VAC, 50/60 Hz	100 to 140	85 W
LTC 8903/50	220–240 VAC, 50/60 Hz	198 to 264	85 W

<sup>6</sup> Power at rated voltage fully loaded.

## Connectors

Video Inputs	Sixteen (16), 34-pin ribbon connectors used in conjunction with the LTC 8808/00 video interconnect panel
Looping Video Input Connections	Sixteen (16), 34-pin ribbon connectors used with LTC 8809/00 ribbon cables (supplied as required to loop to additional LTC 8903 Series bays)

Video Bus Connections	Four (4), 34-pin ribbon connectors interconnect with LTC 8903 Series camera input bays using LTC 8809/00 ribbon cables
Console	Port reserved for future use
COM 1	Port reserved for future use
COM 2	Port reserved for future use
EXT SYNC	BNC input used to synchronize unit to external sync signal; accepts composite video, composite sync, or the V Sync output provided from another LTC 8900 Series matrix bay
V SYNC	BNC connector provides output signal to synchronize an additional LTC 8900 Series matrix bay via its EXT Sync input
External Data Interface	Two (2), RJ-45 high-speed LAN ports for interface to LTC 8901 main CPU bay via system LAN Switches (Connected in parallel; one is used, one is reserved for future use)

## Components

### Equipment Rack

Dimensions (W x D x H)	EIA 48 cm (19 in.) rack, 483 x 420 x 267 mm (19 x 16.5 x 10.5 in.)
Weight	11.1 kg (24.5 lb)
Construction	Metal cabinet
Finish	Charcoal

### Data Receiver Module (LTC 8918/01)

Dimensions (W x D x H)	EIA 48 cm (19 in.) rack, 483 x 420 x 267 mm (19 x 16.5 x 10.5 in.)
Weight	0.5 kg (1.1 lb)

### Power Supply (LTC 8805/60 or LTC 8805/50)

Size (W x D x H)	67 x 360 x 247 mm (2.63 x 14.2 x 9.7 in.)
Weight	5.2 kg (11.5 lb)
Indicators	Power On/Off and fuse alert LEDs

### LTC 8921/00 Video Input Module

Use up to sixteen per LTC 8903 Series camera input bays.

Camera Inputs	32
Size (D x H)	300 x 250 mm (11.8 x 9.8 in.)
Weight	0.41 kg (0.9 lb)

### LTC 8934/00 Video Output Module

Use up to eight per LTC 8902 Series monitor output bays.

Monitor Outputs	8
-----------------	---



Dimensions (D x H)	300 x 250 mm (11.8 x 9.8 in.)
Weight	0.41 kg (0.9 lb)

### LTC 8941/91 System Controller

#### (Redundant System Configurations Only)

Includes LTC 8943/94 PC, LTC 8944/93 Primary LAN Switch and LTC 8945/93 Backup LAN Switch

LTC 8943/94 PC	Rack-mount industrial-grade Pentium PC, 512 MB RAM (minimum), 8 GB solid state hard drive (minimum), CD-/DVD burner, floppy drive, keyboard, mouse, keyboard/mouse rack-mount shelf, and Windows XP Professional; 120/230 VAC, 50/60 Hz
LTC 8059/00	Allegiant Master Control software (installed on PC)
Monitor (UML-191-90)	48.3 cm (19 in.) LCD panel 120/230 VAC, 50/60 Hz
Monitor Rack (UMM-LCDUB-RM)	Racked Height: 37.4 cm (14.7 in.) Racked Width: 48.3 cm (19.0 in.)
LTC 8944/93 Primary LAN Switch	24-port 10/100Base-T Ethernet Switch with SNMP Module, programmed with primary IP Address; 120/220 VAC, 50/60 Hz
LTC 8945/93 Back-Up LAN Switch	24-port 10/100Base-T Ethernet Switch with SNMP Module, programmed with back-up IP Address; 120/220 VAC, 50/60 Hz

### LTC 8946/93 Expansion LAN Switch

24-port 10/100BaseT Ethernet Switch, no SNMP module; 120/220 VAC, 50/60 Hz

### LTC 8808/00 Video Interconnect Panel

The LTC 8808/00 assembly contains an interconnect panel which is used to convert 32 BNC connectors into two 16-channel ribbon cable connectors. The two (2) coaxial ribbon cables (LTC 8809/00), designed especially for use with video signals, and are then used to interconnect the video between the panel and the LTC 8900 system. Use of the LTC 8808/00 assemblies are required for all external video input and output connections. In addition to being used for video inputs and monitor outputs, the LTC 8808/00 assembly is also used to provide looping capability. One (1) LTC 8808/00 (includes panel and two ribbon cables) is required for each group of 32 system cameras or 32 monitors.

Dimensions (W x D x H)	EIA 48 cm (19 in.) rack, 483 x 42 x 44 mm (19 x 1.65 x 1.75 in.)
<b>Weight</b>	
• Panel	0.54 kg (1.2 lb)
• Ribbon Cables	Two (2), 0.3 kg (0.7 lb)
Construction	Metal
Finish	Charcoal

### Allegiant Accessories

The LTC 8900 Series accessory products provide many optional features to the base Allegiant switching systems. Accessory products include keyboard extension kits, Allegiant Bilinx Data Interface unit, receiver/driver units, switcher/followers, code merger units, video ribbon cables, and keyboard expansion units. All accessory products are designed to be installer-friendly and compatible throughout the Allegiant series systems. See the Allegiant Accessories datasheet.

### Ordering information

#### LTC 8901/50 Allegiant Dual CPU Bay

Dual CPU bay, 230 VAC  
Order number **LTC 8901/50**

#### LTC 8901/60 Allegiant Dual CPU Bay

Dual CPU bay, 120 VAC  
Order number **LTC 8901/60**

#### LTC 8902/50 Allegiant Monitor Bay

Monitor bay, 230 VAC  
Order number **LTC 8902/50**

#### LTC 8902/60 Allegiant Monitor Bay

Monitor bay, 120 VAC  
Order number **LTC 8902/60**

#### LTC 8903/50 Allegiant Camera Bay

Camera bay, 230 VAC  
Order number **LTC 8903/50**

#### LTC 8903/60 Allegiant Camera Bay

Camera bay, 120 VAC  
Order number **LTC 8903/60**

#### LTC 8904/50 Allegiant CPU Bay

CPU bay, 230 VAC  
Order number **LTC 8904/50**

#### LTC 8904/60 Allegiant CPU Bay

CPU bay, 120 VAC  
Order number **LTC 8904/60**

#### LTC 8905/90 Power Supply

for LTC 8901 and LTC 8904 Series, 120/240 VAC  
Order number **LTC 8905/90**

#### LTC 8906/50 Power Supply

for LTC 8902/50, 230 VAC  
Order number **LTC 8906/50**

#### LTC 8906/60 Power Supply

for LTC 8902/60, 120 VAC  
Order number **LTC 8906/60**

#### LTC 8910/01 CPU Module

CPU module for LTC 8901 and LTC 8904 Series  
Order number **LTC 8910/01**

#### LTC 8916/01 Data Receiving Module

for LTC 8902 Series  
Order number **LTC 8916/01**

**LTC 8917/00 Relay Module**

for LTC 8901 Series  
Order number **LTC 8917/00**

---

**LTC 8918/01 Data Receiving Module**

for LTC 8903 series  
Order number **LTC 8918/01**

---

**LTC 8921/00 Video Input Module**

for LTC 8900 Series  
Order number **LTC 8921/00**

---

**LTC 8934/00 Video Output Module**

for LTC 8900 Series  
Order number **LTC 8934/00**

---

**LTC 8934/00-75 VOM**

LTC 8900 VOM with Korean characters  
Order number **LTC 8934/00-75**

---

**LTC 8941/91 PC/Monitor/LAN/Software Package**

for LTC 8901 Series  
Order number **LTC 8941/91**

---

**LTC 8944/92 Programmed 12-port Primary LAN**

Order number **LTC 8944/92**

---

**LTC 8945/92 Programmed 12-port Backup LAN**

Order number **LTC 8945/92**

---

**LTC 8946/92 Basic 12-port Expansion LAN**

Order number **LTC 8946/92**

---

**LTC 8059/00 Allegiant Master Control Software**

Order number **LTC 8059/00**

---

**Accessories**

**LTC 8944/93 Programmed 24-port Primary LAN Switch**

Order number **LTC 8944/93**

---

**LTC 8945/93 Programmed 24-port Backup LAN Switch**

Order number **LTC 8945/93**

---

**LTC 8946/93 Basic 24-port Expansion LAN Switch**

Order number **LTC 8946/93**

---

**Software Options**

**SFT-VASA Hybrid IP - Analog/Matrix Video over IP Integration Software**

Order number **SFT-VASA**

---

**SFT-INTSRV Integration Server Software**

Allegiant integration software package  
Order number **SFT-INTSRV**

---

**Represented by:**

**Americas:**

Bosch Security Systems, Inc.  
130 Perinton Parkway  
Fairport, New York, 14450, USA  
Phone: +1 800 289 0096  
Fax: +1 585 223 9180  
security.sales@us.bosch.com  
www.boschsecurity.us

**Europe, Middle East, Africa:**

Bosch Security Systems B.V.  
P.O. Box 80002  
5617 BA Eindhoven, The Netherlands  
Phone: + 31 40 2577 284  
Fax: +31 40 2577 330  
emea.securitysystems@bosch.com  
www.boschsecurity.com

**Asia-Pacific:**

Robert Bosch (SEA) Pte Ltd, Security Systems  
11 Bishan Street 21  
Singapore 573943  
Phone: +65 6571 2808  
Fax: +65 6571 2699  
apr.securitysystems@bosch.com  
www.boschsecurity.asia

**China:**

Bosch (Shanghai) Security Systems Ltd.  
201 Building, No. 333 Fuquan Road  
North IBP  
Changning District, Shanghai  
200335 China  
Phone +86 21 22181111  
Fax: +86 21 22182398  
www.boschsecurity.com.cn

**America Latina:**

Robert Bosch Ltda Security Systems Division  
Via Anhanguera, Km 98  
CEP 13065-900  
Campinas, Sao Paulo, Brazil  
Phone: +55 19 2103 2860  
Fax: +55 19 2103 2862  
latam.boschsecurity@bosch.com  
www.boschsecurity.com