

# MIC Series Composite Cables

www.boschsecurity.com



**BOSCH**  
Invented for life



- ▶ High-quality, sun-resistant jacket
- ▶ Multiple cable lengths
- ▶ Factory-prepared ends

MIC Series composite cables provide all power, video, and telemetry connections between a MIC Series camera and a MIC Series power supply unit in a single shielded cable.

These high-quality cables are specifically designed to maximize flexibility while maintaining properties such as strength and elongation. Each cable is fitted at one end with an IP67-sleeved female connector which connects to, and shields, the male connector in the base of the camera. This provides a reliable, easy-to-install, common connection for all MIC Series cameras. The other end of the cable has individual /free (non-terminated) wires for quick installation into terminals in the MIC power supply unit, for connection to the relevant control equipment and power source.

The cable shield connects to a metal cable gland to ensure minimum EMC interference. The outer jacket of the cable is UV-resistant. For maximum protection, Bosch recommends that the cable be contained in permanently earthed metal conduit.

## Technical specifications

### 12-pin cable (for all MIC cameras except current thermal cameras)

Cable Lengths *	2 m (6.56 ft) 10 m (32.81 ft) 20 m (62.62 ft) 25 m (82.02 ft)
Cable diameter	8 mm (0.30 in.)
Cable weight	2m: 0.3kg (0.66 lb) 10m: 0.5kg (1.10 lb) 20m: 0.95kg (2.09 lb) 25m: 3.3kg (7.28 lb)
Video Cable Impedance	75 Ohm
Connector diameter	25 mm (0.98 in.)
Connector	IP67, 12-pin female sleeved
Temperature range, operational	-40 °C to +80 °C (-40 °F to +176 °F)
Temperature range, storage	-55 °C to +85 °C (-67 °F to +185 °F)
Jacket material	NHFR037

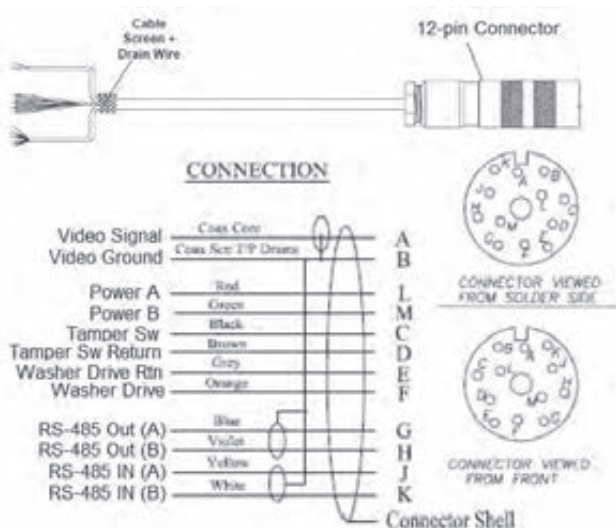
Environmental regulations/standards	UL-recognized component AWM Style 21456 VW-1 rating (UL 1581 section 1080) Sunlight resistance testing (UL 1581 section 1200)
Compatibility	MIC550 / MIC550IR MIC500 MIC440 MIC400 MIC412

**14-pin cable (for current thermal cameras)**

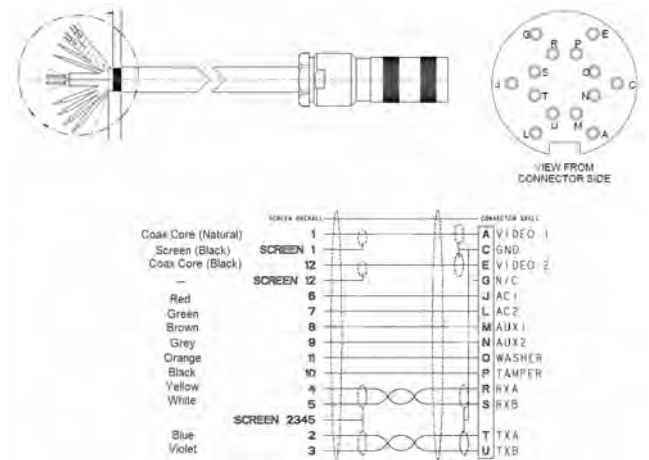
Cable Lengths *	2 m (6.56 ft) 10 m (32.81 ft) 20 m (62.62 ft) 25 m (82.02 ft)
Cable diameter	10 mm (±0.20 mm) [0.39 in. (±0.008 in.)]
Video Cable Impedance	75 Ohm
Connector	IP67, 14-pin female sleeved
Temperature range, operational	-40 °C to +80 °C (-40 °F to +176 °F)
Jacket material	NHFR037
Environmental regulations/standards	UL-recognized component AWM Style 21456 VW-1 rating (UL 1581 section 1080) Sunlight resistance testing (UL 1581 section 1200)
Compatibility	MIC612

\* For distances greater than 25 m (82.02 ft) between the MIC camera and the power supply, please refer to the MIC PSU Extension document found on the product page of your MIC camera, in the online catalog at [boschsecurity.com](http://boschsecurity.com).

**Cable Diagram**



MIC Cable – 12-pin (for all MIC cameras except current thermal cameras)



MIC Cable – 14-pin (for current MIC thermal cameras)

**Ordering information**

**MIC Cable 2M**

2 meter (6.56 ft) composite cable with plug for power, data and video for MIC Series cameras  
Order number **MIC-CABLE-2M**

**MIC Cable 10M**

10 meter (32.81 ft) composite cable with plug for power, data and video for MIC Series cameras  
Order number **MIC-CABLE-10M**

**MIC Cable 20M**

20 meter (62.62 ft) composite cable with plug for power, data and video for MIC Series cameras  
Order number **MIC-CABLE-20M**

**MIC Cable 25M**

25 meter (82.02 ft) composite cable with plug for power, data and video for MIC Series cameras  
Order number **MIC-CABLE-25M**

**MIC Thermal Cable 2M**

2 meter (6.56 ft) composite cable with plug for power, data and video for MIC Series thermal cameras  
Order number **MIC-THERCBL-2M**

**MIC Thermal Cable 10M**

10 meter (32.81 ft) composite cable with plug for power, data and video for MIC Series thermal cameras  
Order number **MIC-THERCBL-10M**

**MIC Thermal Cable 20M**

20 meter (62.62 ft) composite cable with plug for power, data and video for MIC Series thermal cameras  
Order number **MIC-THERCBL-20M**

**MIC Thermal Cable 25M**

25 meter (82.02 ft) composite cable with plug for power, data and video for MIC Series thermal cameras  
Order number **MIC-THERCBL-25M**

**Represented by:**

**Americas:**

Bosch Security Systems, Inc.  
130 Perinton Parkway  
Fairport, New York, 14450, USA  
Phone: +1 800 289 0096  
Fax: +1 585 223 9180  
security.sales@us.bosch.com  
www.boschsecurity.us

**Europe, Middle East, Africa:**

Bosch Security Systems B.V.  
P.O. Box 80002  
5617 BA Eindhoven, The Netherlands  
Phone: + 31 40 2577 284  
Fax: +31 40 2577 330  
emea.securitysystems@bosch.com  
www.boschsecurity.com

**Asia-Pacific:**

Robert Bosch (SEA) Pte Ltd, Security  
Systems  
11 Bishan Street 21  
Singapore 573943  
Phone: +65 6571 2808  
Fax: +65 6571 2699  
apr.securitysystems@bosch.com  
www.boschsecurity.asia

**China:**

Bosch (Shanghai) Security Systems Ltd.  
201 Building, No. 333 Fuquan Road  
North IBP  
Changning District, Shanghai  
200335 China  
Phone +86 21 22181111  
Fax: +86 21 22182398  
www.boschsecurity.com.cn

**America Latina:**

Robert Bosch Ltda Security Systems Division  
Via Anhanguera, Km 98  
CEP 13065-900  
Campinas, Sao Paulo, Brazil  
Phone: +55 19 2103 2860  
Fax: +55 19 2103 2862  
al.securitysystems@bosch.com  
www.boschsecurity.com