

# MIC Series Mounting Brackets and Other Accessories

www.boschsecurity.com



**BOSCH**  
Invented for life

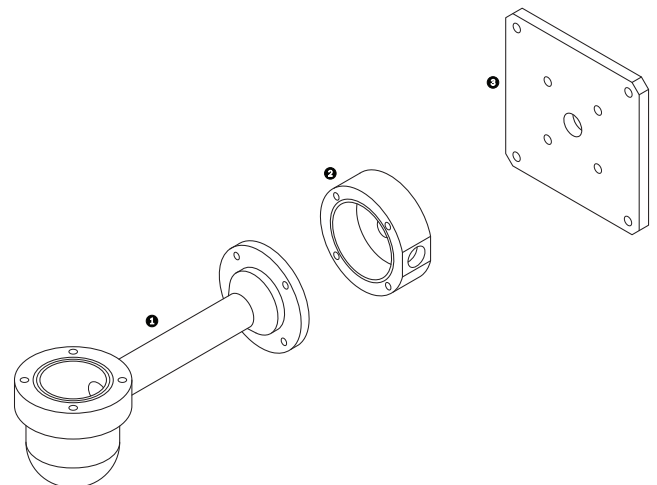


- ▶ Full range of mounting brackets and other accessories.
- ▶ Designed to integrate seamlessly with the MIC Series.
- ▶ Provides a best-fit solution for virtually any application.
- ▶ Easy to use and install.
- ▶ Accessories extend functionality.

Bosch Security Systems offers a range of mounting brackets and accessory products for the MIC Series of cameras. The mounting brackets (for corner, wall, and pole mounting) are available in the standard colors of the MIC Series, including stainless steel. (Not all colors of mounting brackets are available for all models of MIC cameras.) The accessories have been designed to work seamlessly with MIC Series cameras to extend their functionality for your application. This datasheet provides an overview of the available MIC accessories.

## System overview

### Mounting Combination for MIC-WMB, MIC-SCA and MIC-SPR

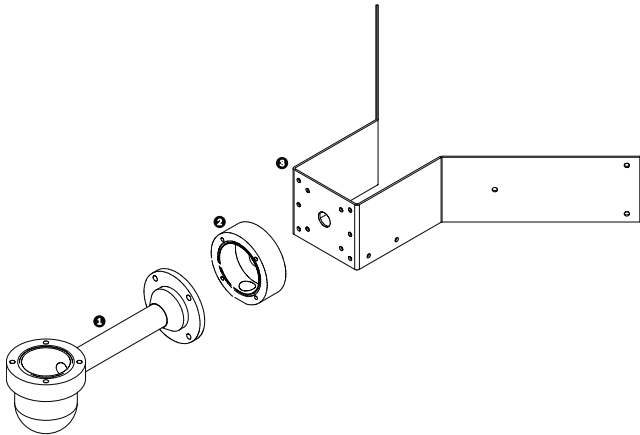


Example Assembly: MIC-WMB, MIC-SCA, and MIC-SPR

- 1 MIC-WMB
- 2 MIC-SCA
- 3 MIC-SPR

Not shown: Mounting hardware.

**Mounting Combination for MIC-WMB, MIC-SCA and MIC-CMB**

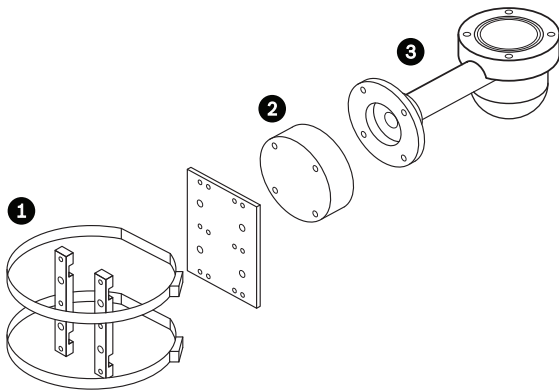


Example Assembly: MIC-WMB, MIC-SCA, MIC-CMB

- 1 MIC-WMB
- 2 MIC-SCA
- 3 MIC-CMB

Not shown: Mounting hardware.

**Mounting Combination for MIC-PMB, MIC-SCA and MIC-WMB**



Example Assembly: MIC-PMB, MIC-SCA, MIC-WMB

- 1 MIC-PMB
- 2 MIC-SCA
- 3 MIC-WMB

Not shown: Mounting hardware.

**Corner Mount Bracket**

The MIC corner mount bracket (MIC-CMB) is combined with individual brackets to allow MIC Series cameras to be mounted on the corners of buildings. The MIC-CMB is manufactured from stainless steel and powder coated for maximum corrosion resistance. Supplied hardware includes:

- four M8 x 25 stainless steel hex bolts
- four M8 stainless steel plain washers
- four M8 stainless steel nuts

**Wall Mount Bracket**

The MIC wall mount bracket (MIC-WMB) allows mounting on building walls, or with a pole mount bracket (MIC-PMB) and MIC-SCA to allow mounting on lamp posts, scaffolding, and other nonstandard mounting posts. The MIC-WMB is manufactured from solid aluminum or stainless steel. It provides a 4 in. pitched circle diameter (PCD) mounting position for the MIC camera and has a deep bowl to accommodate the composite cable and connector.

An O-ring provides a watertight seal to protect the cable connector. Supplied hardware includes:

- four M8 x 20 stainless steel hex bolts
- four M8 stainless steel plain washers
- one O-ring, 80 mm x 3 mm

**Spreader Plate**

The MIC spreader plate (MIC-SPR) is used to spread the weight of a MIC Series camera and its supporting brackets so that the camera can be mounted securely to flat masonry surfaces. The MIC-SPR is manufactured from aluminum plate and powder coated to the same standard as the MIC Series cameras. An unpainted stainless steel version is also available. Supplied hardware includes:

- four M8 x 30 stainless steel cap head bolts
- four M8 stainless steel plain washers
- four M8 stainless steel nuts

**Deep Conduit Adapter**

The MIC deep conduit adapter (MIC-DCA) is designed to allow a weatherproof conduit to be fitted to protect the MIC composite cable. The MIC-DCA is machined from solid aluminum and provides a 4-in. pitched circle diameter (PCD) mounting position for the MIC camera. An O-ring provides a watertight seal to protect the electrical connectors on the camera base and the composite cable connector. The MIC-DCA has two M25 holes for conduit or cable glands to be fitted, one in the base and one side entry.

Supplied hardware includes:

- four M8 x 20 stainless steel hex bolts
- four M8 stainless steel plain washers
- one end cap M25 x 1.5, with O-ring
- one O-ring, 80 mm x 3 mm

**Shallow Conduit Adapter**

The MIC shallow conduit adapter (MIC-SCA) is used as required with other mounting brackets. The MIC-SCA has a single 25 mm side entry conduit fitting hole. There is not sufficient room inside to allow the camera to be mounted to it directly. (Use a MIC-DCA instead.)

The MIC-SCA is machined from solid aluminum or stainless steel, and provides a 4-in. pitched circle diameter (PCD) mounting position. An O-ring provides a watertight seal to protect the composite cable.

Supplied hardware includes:

- four M8 x 20 stainless steel hex bolts

- four M8 stainless steel plain washers
- one end cap M25 x 1.5, with O-ring
- one O-ring, 80 mm x 3 mm

#### **Pole Mount Bracket**

The MIC pole mount bracket (MIC-PMB) is designed to work with a shallow conduit adapter (MIC-SCA) and a wall mount bracket (MIC-WMB) to allow MIC Series cameras to be mounted on lamp posts, scaffolding, and other nonstandard mounting posts with a wide range of diameters. The MIC-PMB is machined from clear anodized aluminum.

Supplied hardware includes:

- four M8 x 30 stainless steel cap head bolts
- six M6 x 20 stainless steel countersunk head bolts
- two high-torque stainless steel worm drive clips (banding straps), 1 m long
- two pole mount blocks
- mounting plate

#### **MIC440 Sunshield**

The MIC440 Sunshield is a two-part molding designed to provide additional protection against direct solar radiation by reflecting solar exposure, and creating an insulating gap between the environment and the surface of the camera. Supplied hardware includes:

- four (4) M6 x 12 stainless steel socket head screws

#### **MIC Sunshield for MIC612 and MIC412**

The MIC Sunshield for thermal cameras is a two-part molding, designed to provide additional protection against direct solar radiation, particularly in sunny climates.

Supplied hardware includes:

- eight 25 mm knurled stand-offs, M4 x 12 (external), M3 x 15 (internal) for MIC612
- eight 28 mm smooth stand-offs, M4 x 12 (external), M3 x 15 (internal) (for MIC412)
- eight M3 x 10 stainless steel hex bolts
- eight M3 stainless steel plain washers

#### **MICUSB485CVTR2 Converter**

The MIC Series USB to RS-485 signal converter is a compact unit that communicates from a PC's USB port directly to MIC Series cameras via the telemetry connector in MIC Series power supplies. The converter allows connection between MIC cameras and either Bosch's Configuration Tool for Imaging Devices (CTFID) software (MIC550, MIC550IR, MIC612) or Bosch Universal Camera Setup Software ("Cam-set") (MIC models 400AL, 400IR, 400ST, 412, 440, and 500). Each software application provides full control of all camera setup and operation functions. The converter is an available accessory for Models MIC550, MIC550IR, MIC612, and later; CTFID is available for download from [www.boschsecurity.com](http://www.boschsecurity.com). The converter and CamSet software are supplied with MIC440 and MIC400ST.

#### **Biphase Converters**

The MIC Biphase converter cards allow up to eight MIC Series cameras to be interfaced with Bosch Biphase compatible equipment. The card translates

Bosch Biphase protocol to RS485, half duplex telemetry signals. It also allows the camera address to be set through its integrated DIP switch selector. The **MIC-BP3** has its own enclosure with its own power supply, which enables it to be used by MIC Series power supplies that do not have an available expansion slot.

The **MIC-BP4** is a plug-in card that fits into an available expansion slot within a non-infrared MIC Series power supply unit.

#### **MIC-ALM Alarm and Washer Pump Drive Card**

The 8 Input Alarm Card (MIC-ALM) is designed to work with a MIC Series power supply with a free expansion slot. The MIC-ALM provides MIC Series cameras with eight alarm inputs, a washer pump drive function with test/pump priming capability and two additional relays, which can be configured to operate external equipment when an alarm signal is received. The card is compatible with non-infrared MIC Series power supply units. (The card cannot be used with a MIC Series IR power supply.)

#### **Washer Kits**

The MIC Series washer kits (MIC-WKT, MIC-WKT-IR) provide the necessary components to allow connection of a washer pump and water reservoir tank (sold separately) to a MIC Series camera, and control via the camera telemetry. (The washer pump, water reservoir tank, and tubing are sold separately as Bosch washer kits (HAC-WAS05-20 and HAC-WAS30-50). For more information, see the washer kits datasheet for HSPS and MIC Series.)

Each MIC-WKT kit includes:

- washer pump drive card (MIC-WSH)
- washer jet nozzle
- two (2) mounting brackets for the washer jet nozzle

Each MIC-WKT-IR kit includes:

- washer jet nozzle
- two (2) mounting brackets for the washer jet nozzle

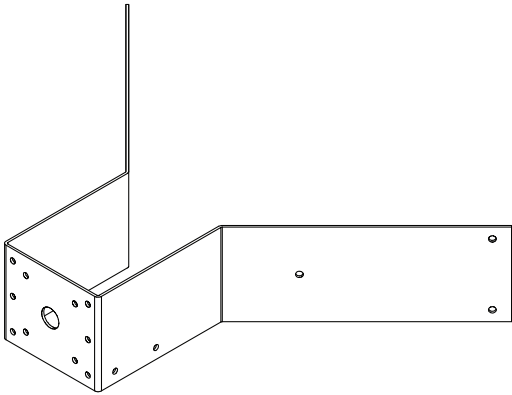
**Note:** The washer pump drive function is built-in to the MIC Series infrared (IR) power supply units.

The MIC-WSH washer pump drive card fits into an empty expansion slot of the non-infrared MIC Series power supply units and provides electrical connections, a washer pump relay, and a push to test / pump prime function.

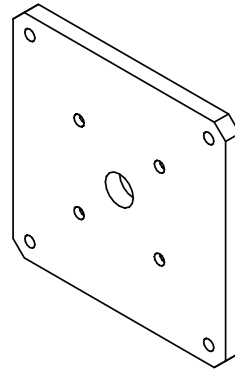
#### **Replacement Wiper Blades**

The model MIC-RWB is a pivoting, metal-backed rubber wiper blade (36 mm x 13 mm x 3.5 mm) for MIC Series 400 cameras. Models MIC-412-RWAB (black) and MIC-412-RWAC (silver) are completely anodized aluminum wiper arms with a fixed long-life silicone wiper blade and associated hardware.

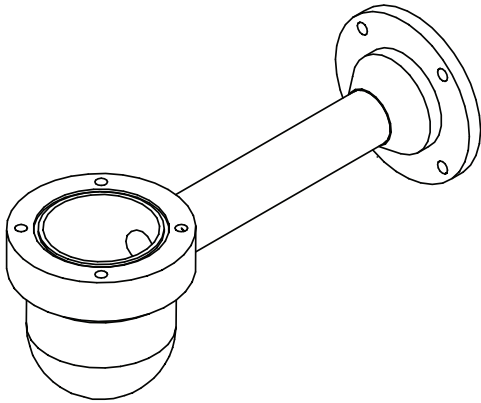
Installation/configuration notes



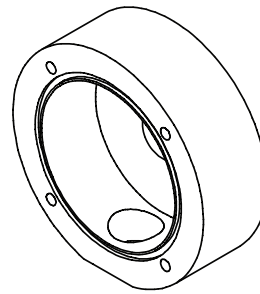
Corner Mount Bracket



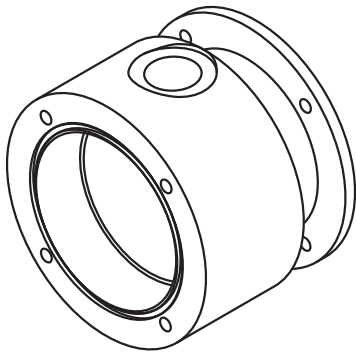
Spreader Plate



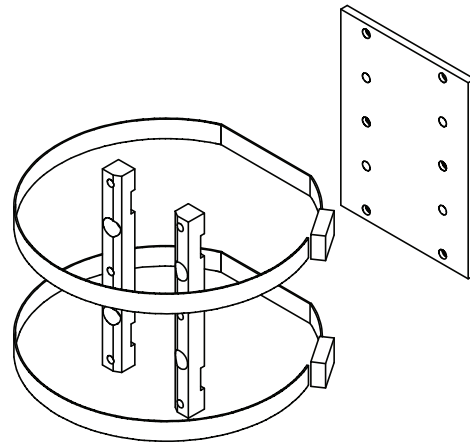
Wall Mount Bracket



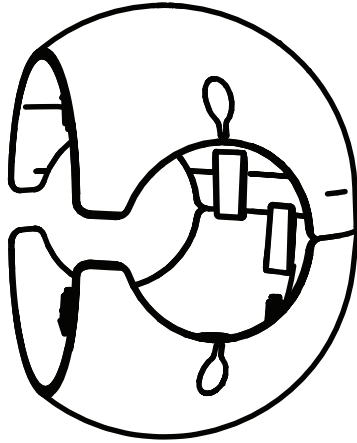
Shallow Conduit Adapter



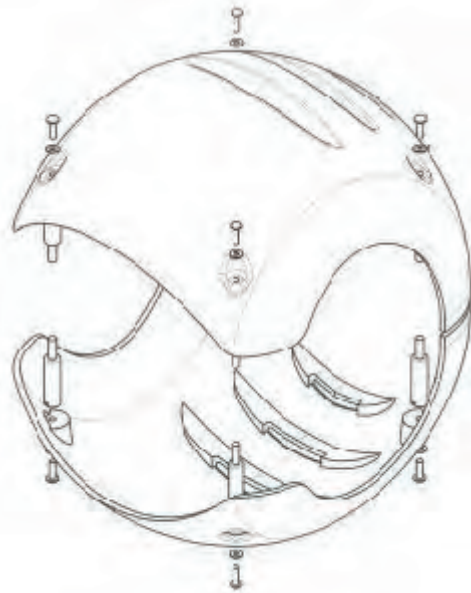
Deep Conduit Adapter



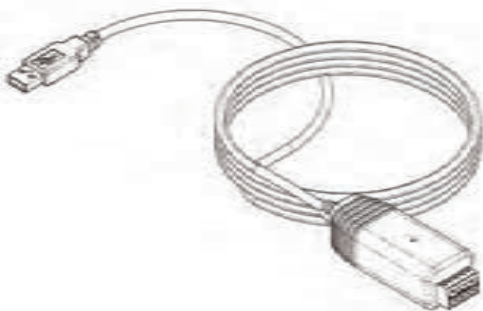
Pole Mount Bracket



MIC440 Sunshield



MIC612/MIC412 Sunshield



MICUSB485CVTR2

**Technical specifications**

Corner Mount Bracket

Dimensions (W x H x D)	564 x 120 x 394 mm (23.4 x 4.7 x 15.5 in)	
Weight	2.9 kg (6.5 lb)	
Material	Stainless Steel, power coated, with painted polyester finish as below:	
	MIC-CMB	Black (RAL9005), leatherette finish
	MIC-CMB-W	White (RAL9003), leatherette finish
	MIC-CMB-S	Stainless Steel, plain finish
	MIC-CMB-BD	Black (RAL9005), sand finish
	MIC-CMB-WD	White (RAL9010), sand finish
	MIC-CMB-GD	Grey (RAL9006), sand finish

Wall Mount Bracket

Dimensions (W x H x D)	340 x 124 x 120 mm (13.4 x 4.9 x 4.7 in)	
Weight	Aluminum: 1.95 kg (4.5 lb) Stainless Steel: 5.4 kg (13.5 lb)	
Material	Stainless Steel, or solid aluminum with painted polyester finish as below:	
	MIC-WMB-B	Black (RAL9005), leatherette finish
	MIC-WMB-W	White (RAL9003), leatherette finish
	MIC-WMB-S	Stainless Steel, plain finish
	MIC-WMB-BD	Black (RAL9005), sand finish
	MIC-WMB-WD	White (RAL9010), sand finish
	MIC-WMB-GD	Grey (RAL9006), sand finish

Spreader Plate

Dimensions (W x H x D)	190 x 190 x 12.7 mm (7.48 x 7.48 x 0.5 in)	
Weight	Aluminum: 1.24 kg (2.73 lb) Stainless Steel: 3.72 kg (8.2 lb)	
Material	Stainless Steel, or aluminum, power coated, with painted finish as below:	
	MIC-SPR	Black (RAL9005), leatherette finish
	MIC-SPR-W	White (RAL9003), leatherette finish
	MIC-SPR-S	Stainless Steel, plain finish
	MIC-SPR-BD	Black (RAL9005), sand finish
	MIC-SPR-WD	White (RAL9010), sand finish
	MIC-SPR-GD	Grey (RAL9006), sand finish

## Deep Conduit Adapter

Dimensions (H x D)	90 x 120 mm (3.5 x 4.7 in)	
Weight	Aluminum: 1.45 kg (3.2 lb) Stainless Steel: 4.14 kg (9.13 lb)	
Material	Stainless Steel, or machined aluminum with painted finish as below:	
	MIC-DCA	Black (RAL9005), leatherette finish
	MIC-DCA-W	White (RAL9003), leatherette finish
	MIC-DCA-S	Stainless Steel, plain finish
	MIC-DCA-BD	Black (RAL9005), sand finish
	MIC-DCA-WD	White (RAL9010), sand finish
	MIC-DCA-GD	Grey (RAL9006), sand finish

## Shallow Conduit Adapter

Dimensions (H x D)	40 x 120 mm (1.6 x 4.7 in)	
Weight	Aluminum: 0.78 kg (1.72 lb) Stainless Steel: 2.22 kg (4.89 lb)	
Material	Stainless Steel, or solid aluminum with painted finish as below:	
	MIC-SCA	Black (RAL9005), leatherette finish
	MIC-SCA-W	White (RAL9003), leatherette finish
	MIC-SCA-S	Stainless Steel, plain finish
	MIC-SCA-BD	Black (RAL9005), sand finish
	MIC-SCA-WD	White (RAL9010), sand finish
	MIC-SCA-GD	Grey (RAL9006), sand finish

## Pole Mount Bracket

Dimensions (W x H x D)	127 x 160 x 9.5 mm (25.375 with pole mount blocks fitted) (5 x 6.30 x 0.374 in)	
Weight	1.7 kg (3.75 lb)	
Material	Mounting bracket, mounting blocks: Aluminum Banding straps: Stainless Steel	
Finish color	Clear anodized	

## MIC612/412 Sunshield

Dimensions (W x H x D)	184 mm x 188.5 mm x 125 mm	
Weight	0.19 kg (0.42 lb)	

## MIC440 Sunshield

Dimensions (W x H x D)	157 x 177 x 113 mm (6.18 x 6.97 x 4.45 in)	
Weight	0.11 kg (0.24 lb)	

## MIC-USB485CVTR2

Weight	0.293 kg
Max Current	100 mA
Isolation	None

## Biphase converters

## Dimensions (W x H x D)

• MIC-BP3 IP65 Enclosure	120 x 55 x 80 mm (4.72 x 2.17 x 3.15 in)
• MIC-BP3 Card	60 x 10 x 70 mm (2.36 x 0.39 x 2.76 in)
• MIC-BP4 Card	60 x 10 x 70 mm (2.36 x 0.39 x 2.72 in)

## Weight

• MIC-BP3 with Power Supply	381 g
• MIC-BP4	35.2 g

Bi-phase Specifications	Shielded 2-wire, half-duplex, multi-drop, 5000 ft cable limit requires 18 AWG wire
Cable Type	Shielded Twisted Pair (STP)
Distance	1524 m (5000 ft) Belden 8760 recommended
Transmission Rate	31.25 kHz
Gage	1.02 mm (18 AWG)
Termination	110 Ohm
Terminal Connector	Screw terminals
Voltage	4 Vpp

## MIC-ALM

Dimension (H x W x D)	25 x 125 x 60 mm (0.98 x 4.92 x 2.36 in)
Weight	61 g
Material	PCB Card
Alarm Inputs	8 with LEDs
Relays	2; Washer Pump Drive Function with prime/test button

## MIC-WKT

Dimensions (W x H x D)	125 x 25 x 60 mm (4.92 x 0.98 x 2.36 in.)
Weight	44 g (1.6 oz)

## Wiper Blades

## MIC Series 400 cameras

MIC-400-RWAB	Black
--------------	-------

MIC-400-RWAC	Clear
MIC-400-RWAS	316L Stainless Steel
Dimensions	67 x 15 x 9 mm (2.64 x 0.59 x 0.35 in)
MIC Series 612 cameras	
MIC-412-RWAB	Black
MIC-412-RWAC	Clear
Dimensions	104 x 12.7 x 9 mm (4.09 x 0.5 x 0.35 in)
MIC Series 440 cameras	
MIC-440-RWAB	Black
MIC-440-RWAC	Clear
Dimensions	95 x 12.4 x 9 mm

### Ordering information

#### MIC-CMB Corner Mount Bracket

Corner mount bracket - black leatherette finish  
RAL9005  
Order number **MIC-CMB**

#### MIC-CMB-W Corner Mount Bracket, White

Corner mount bracket, white leatherette finish  
(RAL9003)  
Order number **MIC-CMB-W**

#### MIC-CMB-S Corner Mount Bracket, Stainless Steel

Corner mount bracket, grade 316 stainless steel  
Order number **MIC-CMB-S**

#### MIC-CMB-BD Corner Mount Bracket, Black

Corner mount bracket, black sand finish (RAL9005)  
Order number **MIC-CMB-BD**

#### MIC-CMB-WD Corner Mount Bracket, White

Corner mount bracket, white sand finish (RAL9010)  
Order number **MIC-CMB-WD**

#### MIC-CMB-GD Corner Mount Bracket, Grey

Corner mount bracket, grey sand finish (RAL 9006)  
Order number **MIC-CMB-GD**

#### MIC-WMB-B Wall Mount Bracket, Black

Wall mount bracket, black leatherette finish (RAL9005)  
Order number **MIC-WMB-B**

#### MIC-WMB-W Wall Mount Bracket, White

Wall mount bracket, white leatherette finish  
(RAL9003)  
Order number **MIC-WMB-W**

#### MIC-WMB-S Wall Mount Bracket, Stainless Steel

Wall mount bracket, grade 316 stainless steel  
(Requires MIC-SPR or MIC-PMB for secure mounting  
because of weight.)  
Order number **MIC-WMB-S**

#### MIC-WMB-BD Wall Mount Bracket, Black

Wall mount bracket, black sand finish (RAL9005)  
Order number **MIC-WMB-BD**

#### MIC-WMB-WD Wall Mount Bracket, White

Wall mount bracket, white sand finish (RAL9010)  
Order number **MIC-WMB-WD**

#### MIC-WMB-GD Wall Mount Bracket, Grey

Wall mount bracket, grey sand finish (RAL9006)  
Order number **MIC-WMB-GD**

#### MIC-PMB Pole Mount Bracket

Pole mount bracket (includes 2 x 455 mm stainless  
steel banding straps for pole diameters 75 to 145 mm)  
Order number **MIC-PMB**

#### MIC-SPR Spreader Plate

Aluminum spreader plate suitable for brickwork  
surface mounting – black leatherette finish RAL9005  
Order number **MIC-SPR**

#### MIC-SPR-W Spreader Plate, White

Aluminum spreader plate suitable for brickwork  
surface mounting, white leatherette finish (RAL9003)  
Order number **MIC-SPR-W**

#### MIC-SPR-S Spreader Plate, Stainless Steel

316L stainless steel spreader plate suitable for  
brickwork surface mounting, plain finish  
Order number **MIC-SPR-S**

#### MIC-SPR-BD Spreader Plate, Black

Aluminum spreader plate suitable for brickwork  
surface mounting, black sand finish (RAL9005)  
Order number **MIC-SPR-BD**

#### MIC-SPR-WD Spreader Plate, White

Aluminum spreader plate suitable for brickwork  
surface mounting, white sand finish (RAL9010)  
Order number **MIC-SPR-WD**

#### MIC-SPR-GD Spreader Plate, Grey

Aluminum spreader plate suitable for brickwork  
surface mounting, grey sand finish (RAL 9006)  
Order number **MIC-SPR-GD**

#### MIC-DCA-B Deep Conduit Adapter, Black

Deep conduit adapter for 4 in. PCD base - black  
leatherette finish, RAL9005  
Order number **MIC-DCA**

#### MIC-DCA-W Deep Conduit Adapter, White

Deep conduit adapter for 4 in. PCD base - white  
leatherette finish RAL9003  
Order number **MIC-DCA-W**

#### MIC-DCA-S Deep Conduit Adapter, Stainless Steel

Deep conduit adapter for 4 in. PCD base - grade 316  
stainless steel, plain finish  
Order number **MIC-DCA-S**

**MIC-DCA-BD Deep Conduit Adapter, Black**

Deep conduit adapter for 4 in. PCD base, black sand finish (RAL9005)

Order number **MIC-DCA-BD**

---

**MIC-DCA-WD Deep Conduit Adapter, White**

Deep conduit adapter for 4 in. PCD base, white sand finish (RAL9010)

Order number **MIC-DCA-WD**

---

**MIC-DCA-GD Deep Conduit Adapter, Grey**

Deep conduit adapter for 4 in. PCD base, grey sand finish (RAL 9006)

Order number **MIC-DCA-GD**

---

**MIC-SCA-B Shallow Conduit Adapter, Black**

Shallow conduit adapter for 4 in. PCD base - black, leatherette finish, RAL9005

Order number **MIC-SCA**

---

**MIC-SCA-W Shallow Conduit Adapter, White**

Shallow conduit adapter for 4 in. PCD base - white, leatherette finish, RAL9003

Order number **MIC-SCA-W**

---

**MIC-SCA-S Shallow Conduit Adapter, Stainless Steel**

Shallow conduit adapter for 4 in. PCD base - grade 316 stainless steel, plain finish

Order number **MIC-SCA-S**

---

**MIC-SCA-BD Shallow Conduit Adapter, Black**

Shallow conduit adapter for a MIC-WMB, a MIC-PMB, or a MIC-SPR, black sand finish (RAL9005)

Order number **MIC-SCA-BD**

---

**MIC-SCA-WD Shallow Conduit Adapter, White**

Shallow conduit adapter for a MIC-WMB, a MIC-PMB, or a MIC-SPR mount, white sand finish (RAL9010)

Order number **MIC-SCA-WD**

---

**MIC-SCA-GD Shallow Conduit Adapter, Grey**

Shallow conduit adapter for a MIC-WMB, a MIC-PMB, or a MIC-SPR, grey sand finish (RAL 9006)

Order number **MIC-SCA-GD**

---

**MICUSB485CVTR2 USB to RS485 Signal Converter**

USB to RS485 signal converter to allow MIC Series cameras to connect to a PC, supplied with each camera

Order number **MICUSB485CVTR2**

---

**MIC-BP3 Biphase Converter**

Biphase converter for IR power supplies or non-IR power supplies without a free expansion slot available

Order number **MIC-BP3**

---

**MIC-BP4 Biphase Converter**

Biphase converter for non-IR versions of MIC series power supply units

Order number **MIC-BP4**

---

**MIC-516ALM Alarm Card**

8 Input alarm card for MIC-516KBD

Order number **MIC-516ALM**

---

**MIC-ALM Alarm and Washer Pump Drive Card**

8 Input alarm and washer pump drive card for PSU (Not for IR PSU)

Order number **MIC-ALM**

---

**MIC-WKT Washer Kit**

Washer kit for non infrared MIC models (includes washer pump drive card, washer nozzle and mounting brackets for wall and 4 in. PCD base)

Order number **MIC-WKT**

---

**MIC-WKT-IR Washer Kit**

Washer kit for infrared power supplies only (includes washer nozzle and mounting brackets for wall or 4 in. PCD base)

Order number **MIC-WKT-IR**

---

**MIC-WNB-WMB Washer Nozzle**

Spare washer nozzle mounting bracket for wall bracket

Order number **MIC-WNB-WMB**

---

**MIC-RWB Replacement Wiper Blade**

Replacement wiper blade (single) for MIC Series 400(AL, Stainless) cameras only

Order number **MIC-RWB**

---

**MIC-400-RWAB Replacement Wiper Assembly for MIC400, Black**

Replacement silicone wiper assembly (single wiper blade and associated hardware) for MIC400 cameras; black.

Order number **MIC-400-RWAB**

---

**MIC-400-RWAC Replacement Wiper Assembly for MIC400, Silver**

Replacement silicone wiper assembly (single wiper blade and associated hardware) for MIC400 cameras; silver.

Order number **MIC-400-RWAC**

---

**MIC-400-RWAS Replacement Wiper Assembly, Stainless Steel**

Replacement silicone wiper assembly (single wiper blade and associated hardware) for MIC400 cameras; stainless steel.

Order number **MIC-400-RWAS**

---

**MIC-412-RWAB Replacement Wiper Assembly for MIC612 and MIC412, Black**

Replacement silicone wiper assembly (single wiper blade and associated hardware) for MIC612 and MIC412 cameras; black.

Order number **MIC-412-RWAB**

---



**MIC-412-RWAC Replacement Wiper Assembly for MIC612 and MIC412, Silver**

Replacement silicone wiper assembly (single wiper blade and associated hardware) for MIC612 and MIC412 cameras; silver.

Order number **MIC-412-RWAC**

---

**MIC412SUNSHIELD Sunshield Kit for MIC612 and MIC412, White**

Sunshield kit for the MIC412 cameras; white.

Order number **MIC412SUNSHIELD**

---

**MIC440 Sunshield**

Sunshield for the MIC440 camera.

Order number **MIC440SUNSHIELD**

---

**MICTHERSUNSHLD**

Sunshield kit for MIC Thermal Cameras, white

Order number **MICTHERSUNSHLD**

---

**Represented by:**

**Americas:**

Bosch Security Systems, Inc.  
130 Perinton Parkway  
Fairport, New York, 14450, USA  
Phone: +1 800 289 0096  
Fax: +1 585 223 9180  
security.sales@us.bosch.com  
www.boschsecurity.us

**Europe, Middle East, Africa:**

Bosch Security Systems B.V.  
P.O. Box 80002  
5617 BA Eindhoven, The Netherlands  
Phone: + 31 40 2577 284  
Fax: +31 40 2577 330  
emea.securitysystems@bosch.com  
www.boschsecurity.com

**Asia-Pacific:**

Robert Bosch (SEA) Pte Ltd, Security Systems  
11 Bishan Street 21  
Singapore 573943  
Phone: +65 6571 2808  
Fax: +65 6571 2699  
apr.securitysystems@bosch.com  
www.boschsecurity.asia

**China:**

Bosch (Shanghai) Security Systems Ltd.  
201 Building, No. 333 Fuquan Road  
North IBP  
Changning District, Shanghai  
200335 China  
Phone +86 21 22181111  
Fax: +86 21 22182398  
www.boschsecurity.com.cn

**America Latina:**

Robert Bosch Ltda Security Systems Division  
Via Anhanguera, Km 98  
CEP 13065-900  
Campinas, Sao Paulo, Brazil  
Phone: +55 19 2103 2860  
Fax: +55 19 2103 2862  
latam.boschsecurity@bosch.com  
www.boschsecurity.com