

LBC 3700/00 Horn Loudspeaker

www.boschsecurity.com



BOSCH
Invented for life



- ▶ High quality music horn for excellent speech and music reproduction
- ▶ Two-way system
- ▶ High sensitivity
- ▶ Wide opening angle
- ▶ Simple power setting

The Bosch LBC 3700/00 Horn Loudspeaker features an extended frequency range and high sensitivity which makes it ideal for high quality speech and music reproduction. The wide opening angle ensures even sound distribution, so fewer horns are needed to cover a given area.

Functions

The rectangular horn features a unique combination of a re-entrant horn with two transducers, one for low- and the other for high frequencies, resulting in breathtaking sound clarity.

The horn is weather protected and can be used in areas with high humidity. It is therefore suitable for outdoor applications such as swimming pools, sports stadiums, leisure parks, cruise ships, schools and train stations, as well as for indoor public address. Finished in light grey RAL 7035 color, the ABS horn is both stylish and lightweight.

Certifications and approvals

All Bosch loudspeakers are designed to withstand operating at their rated power for 100 hours in accordance with IEC 268-5 Power Handling Capacity (PHC) standards. Bosch has also developed the

Simulated Acoustical Feedback Exposure (SAFE) test to demonstrate that they can withstand two times their rated power for short durations. This ensures extra reliability under extreme conditions, leading to higher customer satisfaction, longer operating life, and much less chance of failure or performance deterioration.

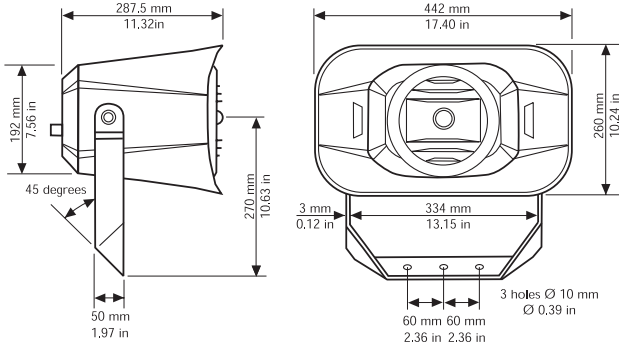
Safety	acc. to EN 60065
Water and dust protection	acc. to IEC 60529, IP 65
Self-extinguishing ABS	acc. to UL 94 V0

Region	Certification	
Europe	CE	Declaration of Conformity

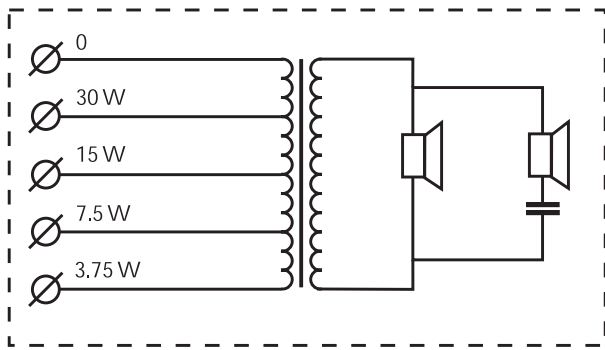
Installation/configuration notes

The 100 V horn loudspeaker includes a transformer with taps on the primary winding for different power settings. Nominal full-power, half-power, quarter-power or eight-power radiation (i.e. in 3 dB steps) can easily be selected by connected the 100 V line to the appropriate tap.

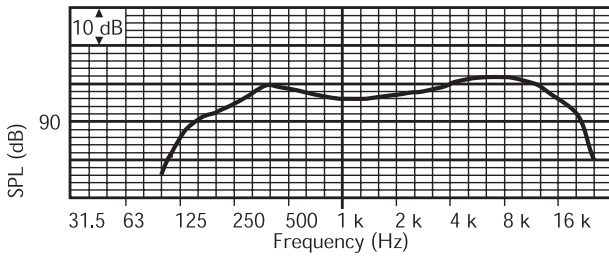
The horn loudspeaker is supplied with a sturdy aluminum (corrosion resistant) mounting bracket allowing the sound beam to be accurately directed.



Dimensions in mm (in)



Circuit diagram

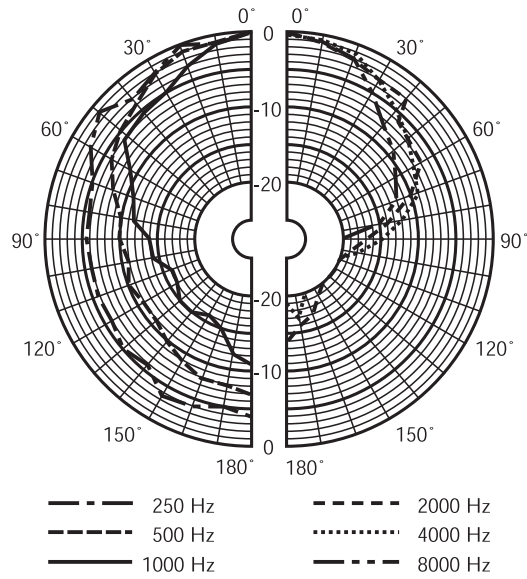


Frequency response

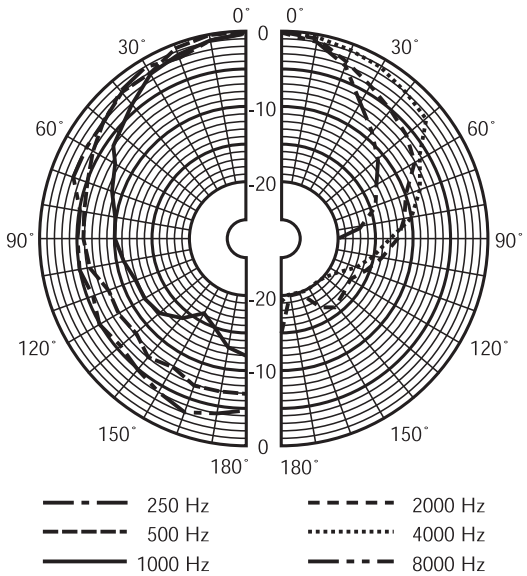
	125 Hz	250 Hz	500 Hz	1 kHz	2 kHz	4 kHz	8 kHz
SPL 1.1	88	97	97	97	98	100	102
SPL max.	103	112	112	112	113	115	117
Q-factor	1.4	2.2	3.7	7.1	8.5	7.4	16.2
Efficiency	0.6	2.8	1.7	0.9	0.9	1.7	1.2

H. angle	360	360	120	105	85	90	65
V. angle	360	360	200	110	100	125	55

Acoustical performance specified per octave



Polar diagram horizontal (measured with pink noise)



Polar diagram vertical (measured with pink noise)

Technical specifications

Electrical*

Maximum power	45 W
Rated power	30 / 15 / 7.5 / 3.75 W

Sound pressure level at 30 W / 1 W (1 kHz, 1 m)	112 dB / 97 dB (SPL)
Sound pressure level at 30 W / 1 W (2 kHz, 1 m)	113 dB / 98 dB (SPL)
Effective frequency range (-10 dB)	125 Hz to 20 kHz
Opening angle	1 kHz / 4 kHz (-6 dB)
horizontal	105° / 90°
vertical	110° / 125°
Rated voltage	100 V
Rated impedance	333 ohm
Connector	Screw terminal block

* Technical performance data acc. to IEC 60268-5

Mechanical

Dimensions (H x W x D)	260 x 442 x 287.5 mm (10.2 x 17.4 x 11.3 in)
Weight	5 kg (11 lb)
Color	Light grey (RAL 7035)
Cable diameter	6 mm to 8 mm (0.24 in to 0.31 in)

Environmental

Operating temperature	-25 °C to +55 °C (-13 °F to +131 °F)
Storage temperature	-40 °C to +70 °C (-40 °F to +158 °F)
Relative humidity	<95%

Ordering information

LBC 3700/00 Horn Loudspeaker

30 W, light grey
Order number **LBC3700/00**

Accessories

LBC 1256/00 EVAC Connection Adapter

3-pole screw connector, 100 pieces
Order number **LBC1256/00**

Represented by:

Americas:

Bosch Security Systems, Inc.
12000 Portland Avenue South
Burnsville MN 55337, USA
Phone: +1-800-392-3497
Fax: +1-800-955-6831
audiosupport@us.bosch.com
www.boschsecurity.com

Europe, Middle East, Africa:

Bosch Security Systems B.V.
P.O. Box 80002
5617 BA Eindhoven, The Netherlands
Phone: + 31 40 2577 284
Fax: +31 40 2577 330
emea.securitysystems@bosch.com
www.boschsecurity.com

Asia-Pacific:

Robert Bosch (SEA) Pte Ltd, Security Systems
11 Bishan Street 21
Singapore 573943
Phone: +65 6571 2808
Fax: +65 6571 2699
apr.securitysystems@bosch.com
www.boschsecurity.asia

China:

Bosch (Shanghai) Security Systems Ltd.
201 Building, No. 333 Fuquan Road
North IBP
Changning District, Shanghai
200335 China
Phone +86 21 22181111
Fax: +86 21 22182398
www.boschsecurity.com.cn

America Latina:

Robert Bosch Ltda Security Systems Division
Via Anhanguera, Km 98
CEP 13065-900
Campinas, Sao Paulo, Brazil
Phone: +55 19 2103 2860
Fax: +55 19 2103 2862
al.securitysystems@bosch.com
www.boschsecurity.com