

LBC 3090/01 Ceiling Loudspeaker

www.boschsecurity.com



BOSCH
Invented for life



- ▶ Suitable for speech and music reproduction
- ▶ Increased sensitivity
- ▶ Flush-mounting in ceiling cavity
- ▶ Easy to install
- ▶ Protective dust cover

The LBC 3090/01 is an economic flush-mounting ceiling loudspeaker for general purpose applications. It is a full range loudspeaker for speech and music reproduction in shops, department stores, schools, offices, sports halls, hotels and restaurants.

Functions

The LBC 3090/01 has a single-piece, 6 W dual cone loudspeaker. A 100 V matching transformer is mounted behind the front panel assembly. The moulded plastic front panel is mounted onto the loudspeaker's metal frame, and a dust cover protects the rear. The appearance and colour are unobtrusive in any interior.

Certifications and approvals

All Bosch loudspeakers are designed to withstand operating at their rated power for 100 hours in accordance with IEC 268-5 Power Handling Capacity (PHC) standards. Bosch has also developed the Simulated Acoustical Feedback Exposure (SAFE) test to demonstrate that they can withstand two times their rated power for short durations. This ensures extra reliability under extreme conditions, leading to

higher customer satisfaction, longer operating life, and much less chance of failure or performance deterioration.

All plastic parts are manufactured from self-extinguishing high-impact ABS material (according to UL 94V0).

Safety	acc. to EN 60065
--------	------------------

Region	Certification
Europe	CE

Installation/configuration notes

Installation

Installation is both quick and easy, as the unit(s) have two built-in spring-loaded locking clamps that secure them into holes in the ceiling (for suspended ceilings and wall boards from 9 to 25 mm thick). Alternatively, they can be fixed with four screws (using pre-drilled holes) in ceiling or wall panels less than 9 mm thick. A circular template for marking a 182 mm (7.1 in) diameter hole is included with the loudspeaker.

Terminal Block

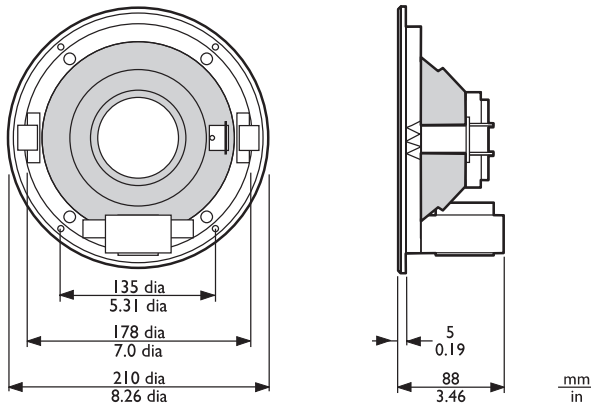
The unit has a two-way terminal block with push connections suitable for loop-through wiring. Three primary taps are provided on the matching transformer to allow selection of nominal full- power, half-power or quarter-power radiation (i.e. in 3 dB steps).

LBC 3091/01 Surface Mounting Box

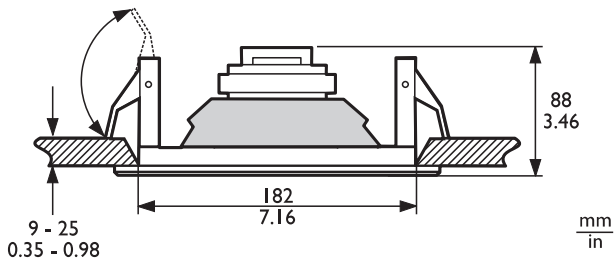
For mounting onto the surface of a wall or ceiling, the color-matched surface mounting box LBC 3091/01 is available.

LBC 3080/01 Fire Dome

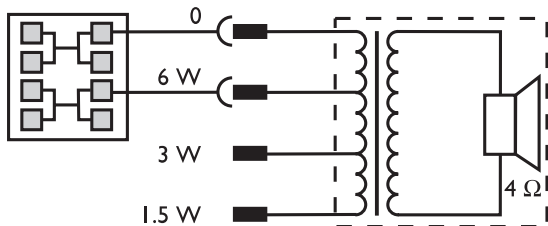
During a fire, the ceiling cavity can allow fire or smoke to spread throughout a building. To inhibit fire entering the cavity via the ceiling loudspeaker, it can be fitted with an LBC 3080/01 steel fire dome. This is mounted on the loudspeaker assembly using four self-tapping screws supplied with the fire dome. The fire-dome has knock-out holes for two grommets (supplied) and two cable glands (PG 13).



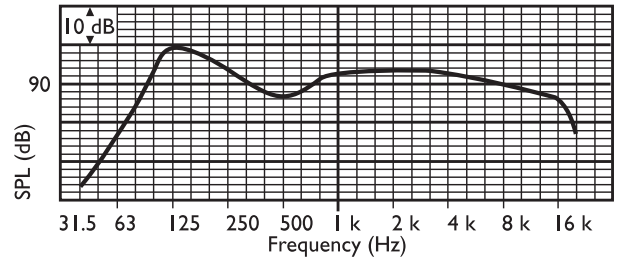
Dimensions in mm (in)



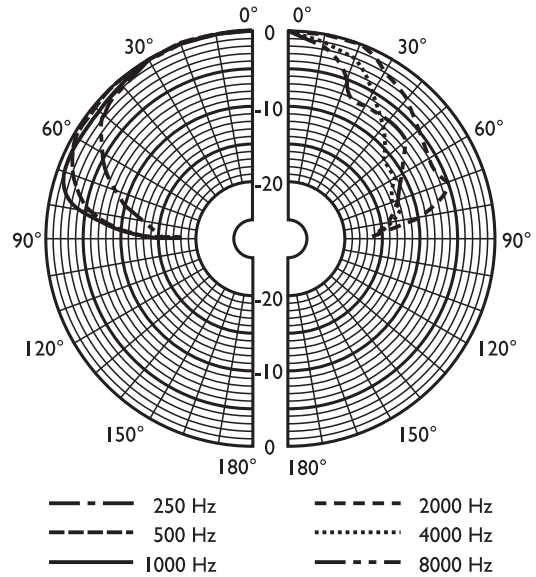
Dimensions in mm (in)



Circuit diagram



Frequency response

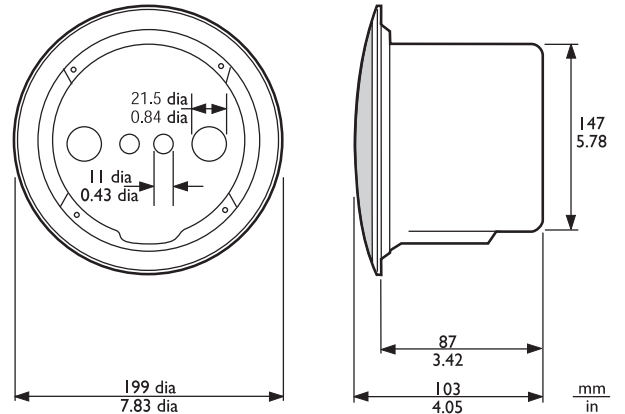
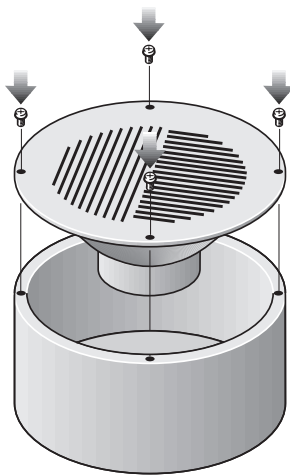


Polar diagram (measured with pink noise)

	125 Hz	250 Hz	500 Hz	1 kHz	2 kHz	4 kHz	8 kHz
SPL 1.1	94	91	89	91	93	95	89
SPL max.	102	99	97	99	101	103	97
Q-factor	4.8	5	3	3.4	6.3	18	20
Efficiency	0.66	0.32	0.34	0.46	0.4	0.22	0.05
H. angle	150	140	180	160	140	55	45
V. angle	150	140	180	160	140	55	45

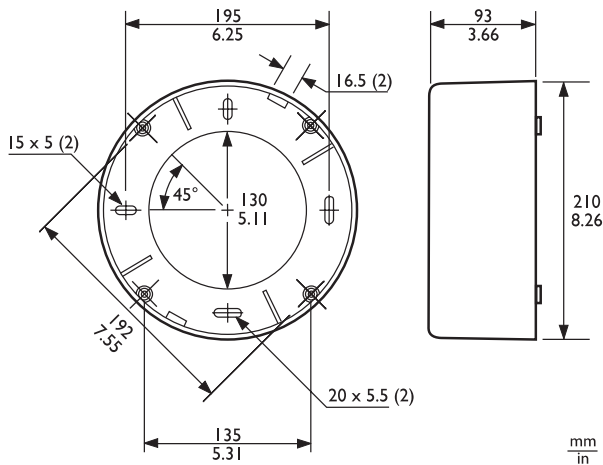
Acoustical performance specified per octave

LBC 3091/01 Surface Mounting Box



LBC 3090/01 + LBC 3080/01 fire dome assembly dimensions in mm (in)

LBC 3090/01 and LBC 3091/01 assembly



Dimensions in mm (in)

LBC 3080/01 Fire Dome



Parts included

Quantity	Component
1	LBC 3090/01 Ceiling Loudspeaker
1	182 mm circular template

Technical specifications

Electrical*

Maximum power	9 W
Rated power	6 / 3 / 1.5 W
Sound pressure level at 6 W / 1 W (1 kHz, 1 m)	99 dB / 91 dB (SPL)
Sound pressure level at 6 W / 1 W (4 kHz, 1 m)	103 dB / 95 dB (SPL)
Effective frequency range (-10 dB)	70 Hz to 18 kHz
Opening angle at 1 kHz/4 kHz (-6 dB)	160° / 55°
Rated voltage	100 V
Rated impedance	1667 ohm
Connector	2-pole push-in terminal block

* Technical performance data acc. to IEC 60268-5

Mechanical

Diameter	210 mm (8.3 in)
Maximum depth	88 mm (3.5 in)
Mounting cut-out	182 + 5 mm (7.2 in)
Speaker diameter	152.4 mm (6 in)
Weight	1.1 kg (2.4 lb)
Color	White (RAL 9010)
Magnet weight	150 g (5.3 oz)

Environmental

Operating temperature	-25 °C to +55 °C (-13 °F to +131 °F)
Storage temperature	-40 °C to +70 °C (-40 °F to +158 °F)
Relative humidity	<95%

LBC 3091/01

Diameter	210 mm (8.3 in)
Maximum depth	93 mm (3.6 in)
Weight	290 g (0.6 lb)
Color	White (RAL 9010)

LBC 3080/01

Diameter	147 mm (5.8 in)
Maximum depth	87 mm (3.4 in)
Weight	360 g (0.8 lb)
Color	Flame red (RAL 3000)
Certified B15	acc. to DIN 4102

Ordering information**LBC 3090/01 Ceiling Loudspeaker**

6 W dual cone economic flush-mounting ceiling loudspeaker for general purpose applications.
Order number **LBC3090/01**

Accessories**LBC 3091/01 Surface Mounting Box**

for securing the ceiling loudspeaker to walls or hard ceilings
Order number **LBC 3091/01**

LBC 1256/00 EVAC Connection Adapter

3-pole screw connector, 100 pieces
Order number **LBC1256/00**

LBC 3080/01 Fire Dome

Metal fire dome for the LBC 3087/41, LBC 3090/01, LBC 3090/31, LHM 0606/00, LHM 0606/10 and LHM 0626/00 ceiling loudspeakers.
Order number **LBC 3080/01**

Represented by:**Americas:**

Bosch Security Systems, Inc.
12000 Portland Avenue South
Burnsville MN 55337, USA
Phone: +1-800-392-3497
Fax: +1-800-955-6831
audiosupport@us.bosch.com
www.boschsecurity.com

Europe, Middle East, Africa:

Bosch Security Systems B.V.
P.O. Box 80002
5617 BA Eindhoven, The Netherlands
Phone: + 31 40 2577 284
Fax: +31 40 2577 330
emea.securitysystems@bosch.com
www.boschsecurity.com

Asia-Pacific:

Robert Bosch (SEA) Pte Ltd, Security Systems
11 Bishan Street 21
Singapore 573943
Phone: +65 6571 2808
Fax: +65 6571 2699
apr.securitysystems@bosch.com
www.boschsecurity.asia

China:

Bosch (Shanghai) Security Systems Ltd.
201 Building, No. 333 Fuquan Road
North IBP
Changning District, Shanghai
200335 China
Phone +86 21 22181111
Fax: +86 21 22182398
www.boschsecurity.com.cn

America Latina:

Robert Bosch Ltda Security Systems Division
Via Anhanguera, Km 98
CEP 13065-900
Campinas, Sao Paulo, Brazil
Phone: +55 19 2103 2860
Fax: +55 19 2103 2862
al.securitysystems@bosch.com
www.boschsecurity.com