

LBC 3800/10 Cabinet Loudspeaker, 100 W

www.boschsecurity.com



BOSCH
Invented for life



- ▶ High-quality reproduction of speech and music
- ▶ Attractive MDF cabinet
- ▶ Trapezoidal shape
- ▶ Heavy-duty metal grille
- ▶ 12" high-power woofer

This loudspeaker cabinet is part of the Bosch comprehensive range of audio products and accessories for sound reinforcement and public address. It is specifically designed for situations where both high quality speech and music reproduction are required, and is typically used for fixed installations in auditoriums, conference venues, community centers, theaters, multipurpose halls and sports halls. The LBC 3800/10 100 W stage loudspeaker is compact yet powerful. Its excellent sound reproduction capability is attributed to the use of arrayed professional quality components. It contains a high-quality 12" woofer with a 1-3/8" voice coil titanium high-frequency driver, linked via a special crossover/equalizer network for optimal sound reproduction. A self-restoring passive element protects the high-frequency driver against incidental overload.

Functions

The cabinet is made of medium-density fiberboard (MDF), a durable material with excellent acoustic properties. It is finished with a durable matt black textured material that retains its look for many years.

Special trapezoidal design allows for easily-arrayable systems, and greatly reduces the build-up of standing waves inside an enclosure. Heavy-duty metal corner fittings prevent impact damage during transport and facilitate stacking.

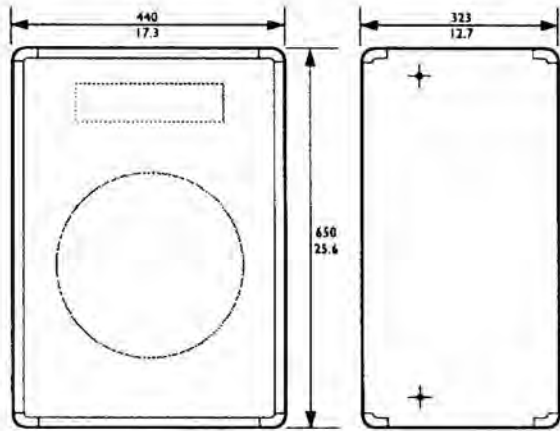
Certifications and approvals

All Bosch loudspeakers are designed to withstand operating at their rated power for 100 hours in accordance with IEC 268-5 Power Handling Capacity (PHC) standards. Bosch has also developed the Simulated Acoustical Feedback Exposure (SAFE) test to demonstrate that they can withstand two times their rated power for short durations. This ensures extra reliability under extreme conditions, leading to higher customer satisfaction, longer operating life, and much less chance of failure or performance deterioration.

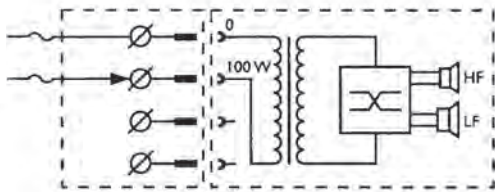
Region	Certification
Europe	CE

Installation/configuration notes

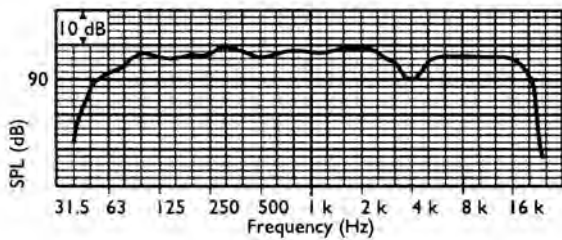
The LBC 3800/10 has 10 M8-threaded attachment points on the top (2), sides (2 each), base (2) and rear panel (2) for horizontal and vertical suspended mounting. A suspension bracket, LBC 1800/00, is available for vertical suspended mounting.



Dimensions in mm (in)



Circuit diagram

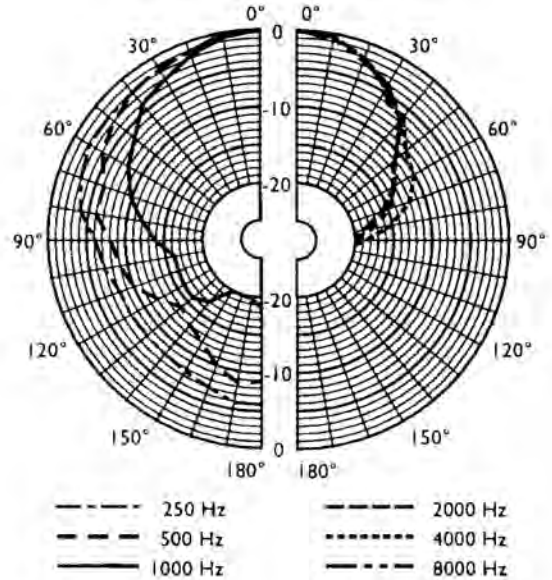


Frequency response

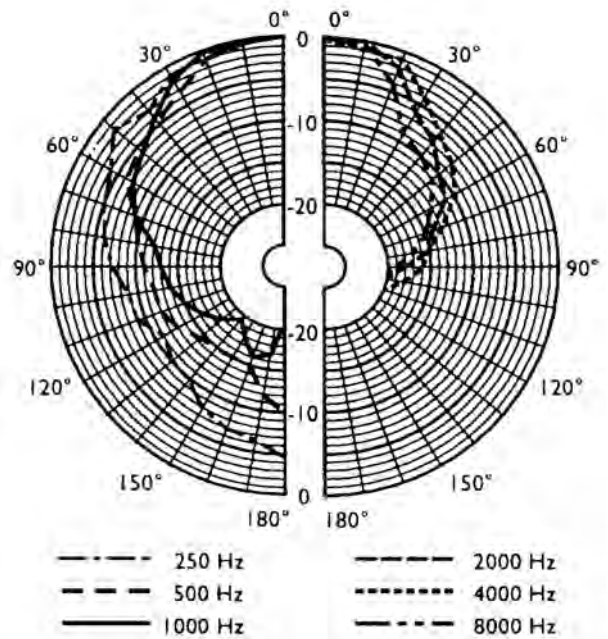
	125 Hz	250 Hz	500 Hz	1 kHz	2 kHz	4 kHz	8 kHz
SPL 1.1	96	97	98	98	99	95	96
SPL max.	116	117	118	118	119	115	116
Q-factor	1.8	3	4.6	5.8	11	11.2	21
Efficiency	2.8	2.1	1.74	1.38	0.9	0.35	0.24

H. angle	360	180	140	110	80	65	65
V. angle	360	150	120	110	60	75	40

Acoustical performance specified per octave



Polar diagram horizontal (measured with pink noise)



Polar diagram vertical (measured with pink noise)



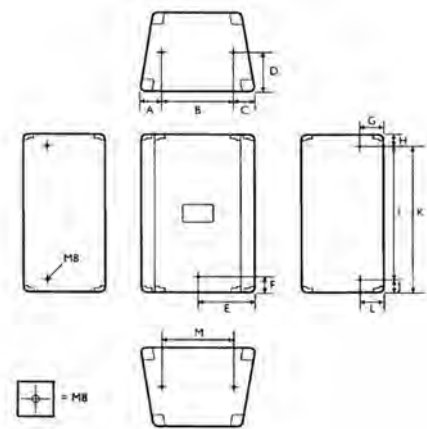
Horizontal suspension using LBC 1800/00 bracket



Vertical suspension using chains



Chain used to tilt loudspeaker



	A	B	C	D	
mm	80	280	80	100	
inches	3.2	11	3.2	3.9	
	E	F	G	H	
mm	220	100	100	58	
inches	8.7	3.9	3.9	2.3	
	I	J	K	L	M
mm	534	58	-	100	280
inches	21	2.3	-	3.9	11

Attachment points for vertical and horizontal mounting and tilting

Technical specifications

Electrical*

Maximum power short term input	250 W
long term input	200 W
Rated power (PHC)	100 W
Sound pressure level at 100 W / 1 W (1 kHz, 1 m)	118 dB / 98 dB (SPL)
Effective frequency range (-10 dB)	70 Hz to 20 KHz
Crossover frequency	3.5 kHz (-12 dB)
Opening angle	1 kHz / 4 kHz (-6 dB)
horizontal	110° / 65°
vertical	110° / 75°
Rated input voltage	100 V
Rated impedance	100 ohm
Connector	100 V quick-plug connector

* Technical performance data acc. to IEC 60268-5

Mechanical

Dimensions (H x W x D)	650 x 440 x 323 mm (25.6 x 17.3 x 12.7 in)
Color	Black (matt)
Weight	24 kg (52.8 lbs)

Environmental

Operating temperature	-25 °C to +55 °C (-13 °F to +131 °F)
Storage temperature	-40 °C to +70 °C (-40 °F to +158 °F)
Relative humidity	<95%

Ordering information

LBC 3800/10 Cabinet Loudspeaker, 100 W

100 W, high-quality 12" woofer with a 1-3/8" voice coil titanium high-frequency driver

Order number **LBC3800/10**

Accessories

LBC 1800/00 Suspension bracket

Suspension bracket

Order number **LBC1800/00**

Represented by:

Americas:

Bosch Security Systems, Inc.
12000 Portland Avenue South
Burnsville MN 55337, USA
Phone: +1-800-392-3497
Fax: +1-800-955-6831
audiosupport@us.bosch.com
www.boschsecurity.com

Europe, Middle East, Africa:

Bosch Security Systems B.V.
P.O. Box 80002
5617 BA Eindhoven, The Netherlands
Phone: + 31 40 2577 284
Fax: +31 40 2577 330
emea.securitysystems@bosch.com
www.boschsecurity.com

Asia-Pacific:

Robert Bosch (SEA) Pte Ltd, Security Systems
11 Bishan Street 21
Singapore 573943
Phone: +65 6571 2808
Fax: +65 6571 2699
apr.securitysystems@bosch.com
www.boschsecurity.asia

China:

Bosch (Shanghai) Security Systems Ltd.
201 Building, No. 333 Fuquan Road
North IBP
Changning District, Shanghai
200335 China
Phone +86 21 22181111
Fax: +86 21 22182398
www.boschsecurity.com.cn

America Latina:

Robert Bosch Ltda Security Systems Division
Via Anhanguera, Km 98
CEP 13065-900
Campinas, Sao Paulo, Brazil
Phone: +55 19 2103 2860
Fax: +55 19 2103 2862
al.securitysystems@bosch.com
www.boschsecurity.com