

# 5 & 8 port SNMP and Modbus/TCP Capable Ethernet Switches

## SE305-T, SE308-T

B+B SMARTWORX

Powered by

ADVANTECH



### PRODUCT FEATURES

- Wide temperature range -40 to 75°C
- DIN rail or wall/panel mountable
- Dual 12 to 48VDC power inputs for redundancy
- Energy Efficient Ethernet (EEE), IEEE 802.3az for low power applications
- EMS Level 3 Protection
- Safety certifications including Class 1 Division 2 and Atex
- Port-based QoS feature for deterministic data transmission
- Loop detection and event alarm
- Power failure indicated by a relay and LED indicator
- Communicates with SCADA software via Modbus/TCP
- Communicates with NMS (Networking Management System) via SNMP

### INTRODUCTION

Our industrial grade SE300 series switches can be used as plug and play, unmanaged switches right out of the box. Installing the eWorX Utility gives them basic management capabilities, as well. They bridge the gap between unmanaged switches and significantly more expensive, fully managed solutions.

When enabled with the eWorX Utility, these switches use Modbus/TCP to communicate with SCADA software and SNMP to communicate with NMS (Networking Management System) at the same time. This gives full read control to both control engineers and IT. They are equipped with port-based QoS for deterministic data transmission. The QoS port has priority over other ports. The eWorX Utility enables IP address assignment, allowing for a static IP address or an address that is discoverable via DHCP.

### ORDERING INFORMATION

MODEL NUMBER	DESCRIPTION
SE305-T	5-port Fast Ethernet Switch with Wide Temperature
SE308-T	8-port Fast Ethernet Switch with Wide Temperature

### ACCESSORIES

- MDR-40-24 - DIN Rail Power supply, 24VDC 40 Watt
- C5UMB3FBG - 3 ft. (1 M), Gray, Category 5e UTP Patch Cord
- C5UMB7FBG - 7 ft. (2 M), Gray, Category 5e UTP Patch Cord



### SPECIFICATIONS

COMMUNICATIONS	
Standards	IEEE 802.3, 802.3u, 802.3x, 802.1p, 802.3az
LAN	10/100Base-T(X)
Transmission Distance	Up to 100 m
Transmission Speed	Up to 100 Mbps
INTERFACE	
Connectors	SE305-T: 5 x RJ45 SE308-T: 8 x RJ45 6-pin removable screw terminal (power & relay)
LED Indicators	P1, P2, P-Fail, Loop detection 10/100T (X): Link/Activity, Speed
SWITCH PROPERTIES	
MAC Table Size	SE305-T: 2k SE308-T: 8k
Packet Buffer Size	SE305-T: 1M bit SE308-T: 128K bit
Switching Capacity	SE305-T: 1 Gbps SE308-T: 1.6 Gbps
Jumbo Frame	SE305-T: 9216 bytes SE308-T: 2048 bytes
POWER	
Power Consumption	SE305-T: Max. 2W SE308-T: Max. 3.6W
Power Input	12~48 VDC (8.4~52.8 VDC), redundant dual inputs
Fault Output	1 Relay Output

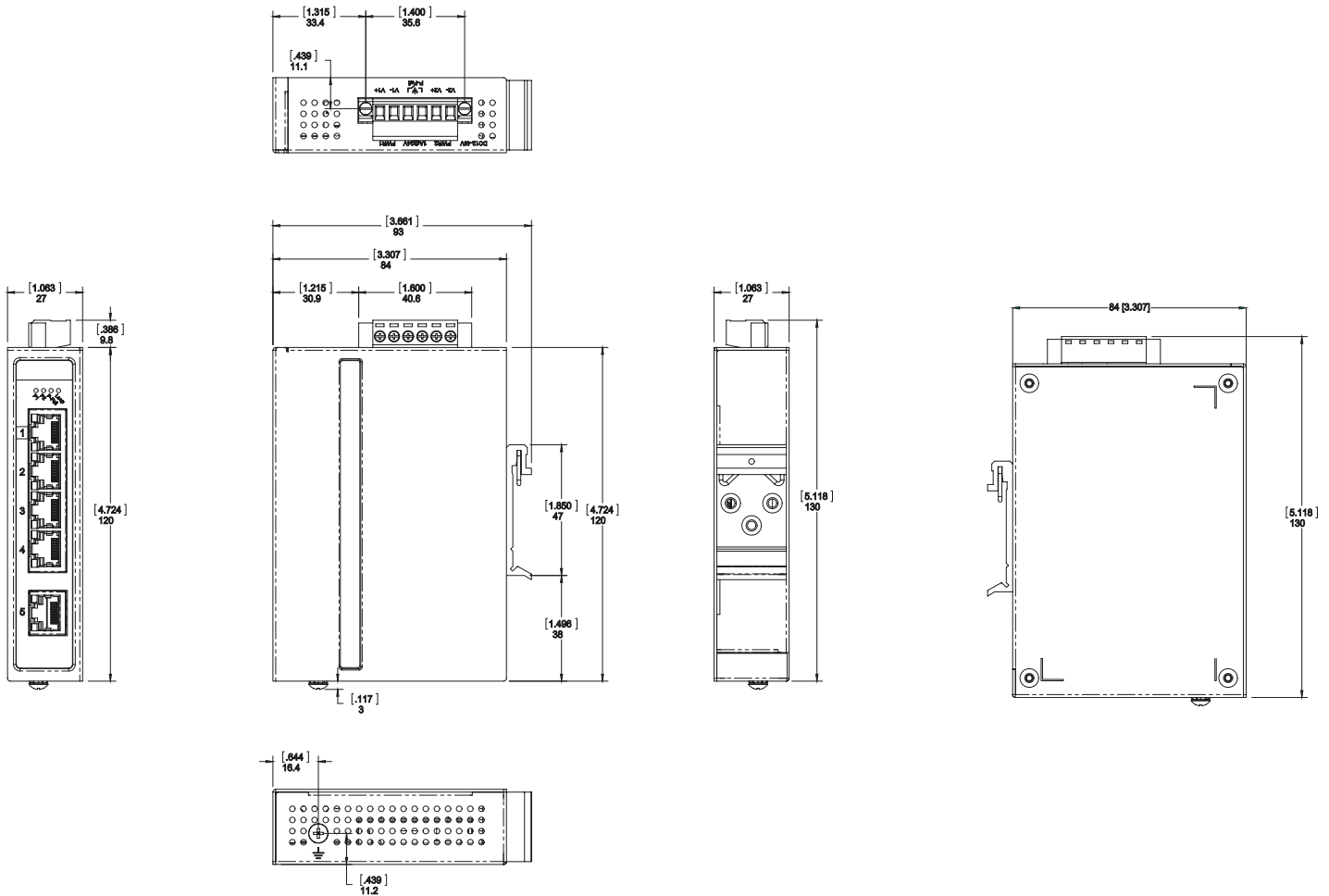
MECHANICAL	
Dimensions (WxHxD)	SE305-T: 27 x 120 x 84 mm SE308-T: 43 x 120 x 84 mm
Enclosure	IP30, metal shell with solid mounting kits
Mounting	DIN-Rail, Wall
PROTECTION	
Reverse Polarity	Present
Overload Current	Present
ENVIRONMENT	
Operating Temperature	-40 ~ 75°C (-40 ~ 167°F)
Storage Temperature	-40 ~ 85°C (-40 ~ 185°F)
Operating Humidity	10 ~ 95% (non-condensing)
Storage Humidity	10 ~ 95% (non-condensing)
MTBF	SE305-T: 5,168,110 hours SE308-T: 5,235,270 hours
CERTIFICATIONS	
Safety	IEC/EN60950, UL60950, UL508, Class 1 Division 2, ATEX
EMI	FCC Part 15 Subpart B Class A, EN 55011/55022, Class A
EMS	EN 61000-4-2 (Level 3), EN 61000-4-3 (Level 3) EN 61000-4-4 (Level 3), EN 61000-4-5 (Level 3) EN 61000-4-6 (Level 3), EN 61000-4-8 (Level 3)
Shock	IEC 60068-2-27
Freefall	IEC 60068-2-32
Vibration	IEC 60068-2-6

# 5 & 8 port SNMP and Modbus/TCP Capable Ethernet Switches

SE305-T, SE308-T

## SE305-T MECHANICAL DIAGRAM DIN RAIL MOUNT

Units = [inches] mm

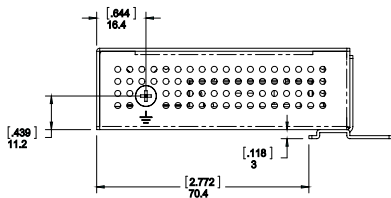
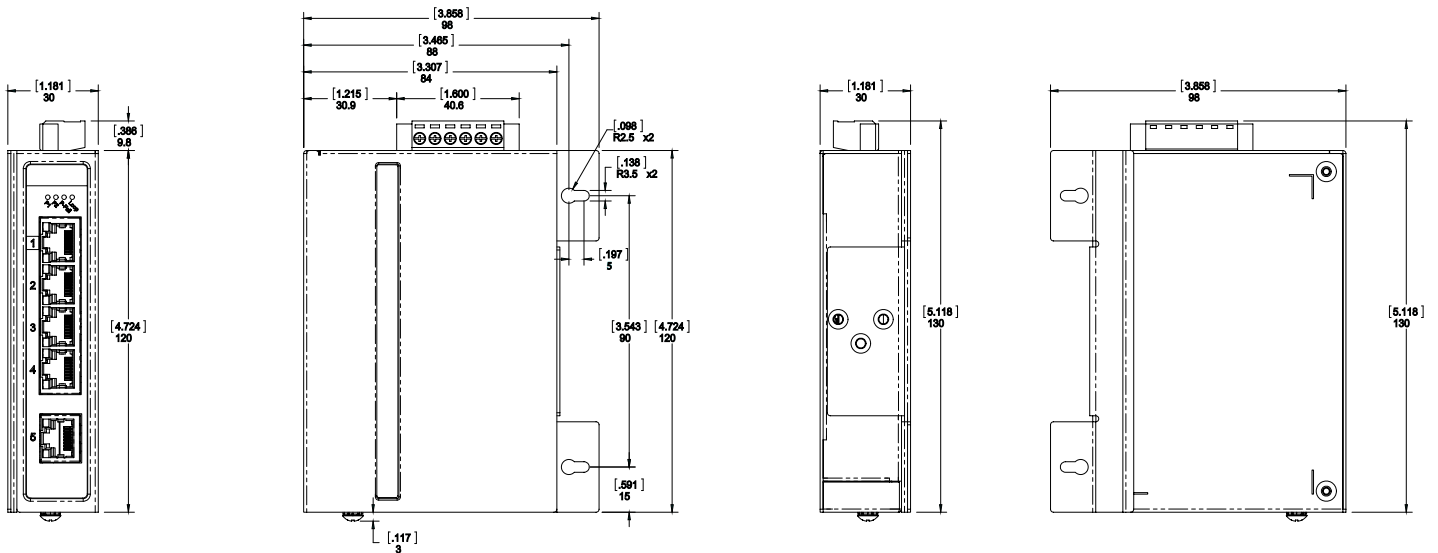
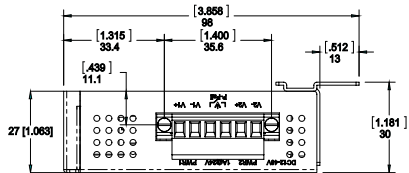


# 5 & 8 port SNMP and Modbus/TCP Capable Ethernet Switches

SE305-T, SE308-T

## SE305-T MECHANICAL DIAGRAM WALL MOUNT

Units = [inches] mm

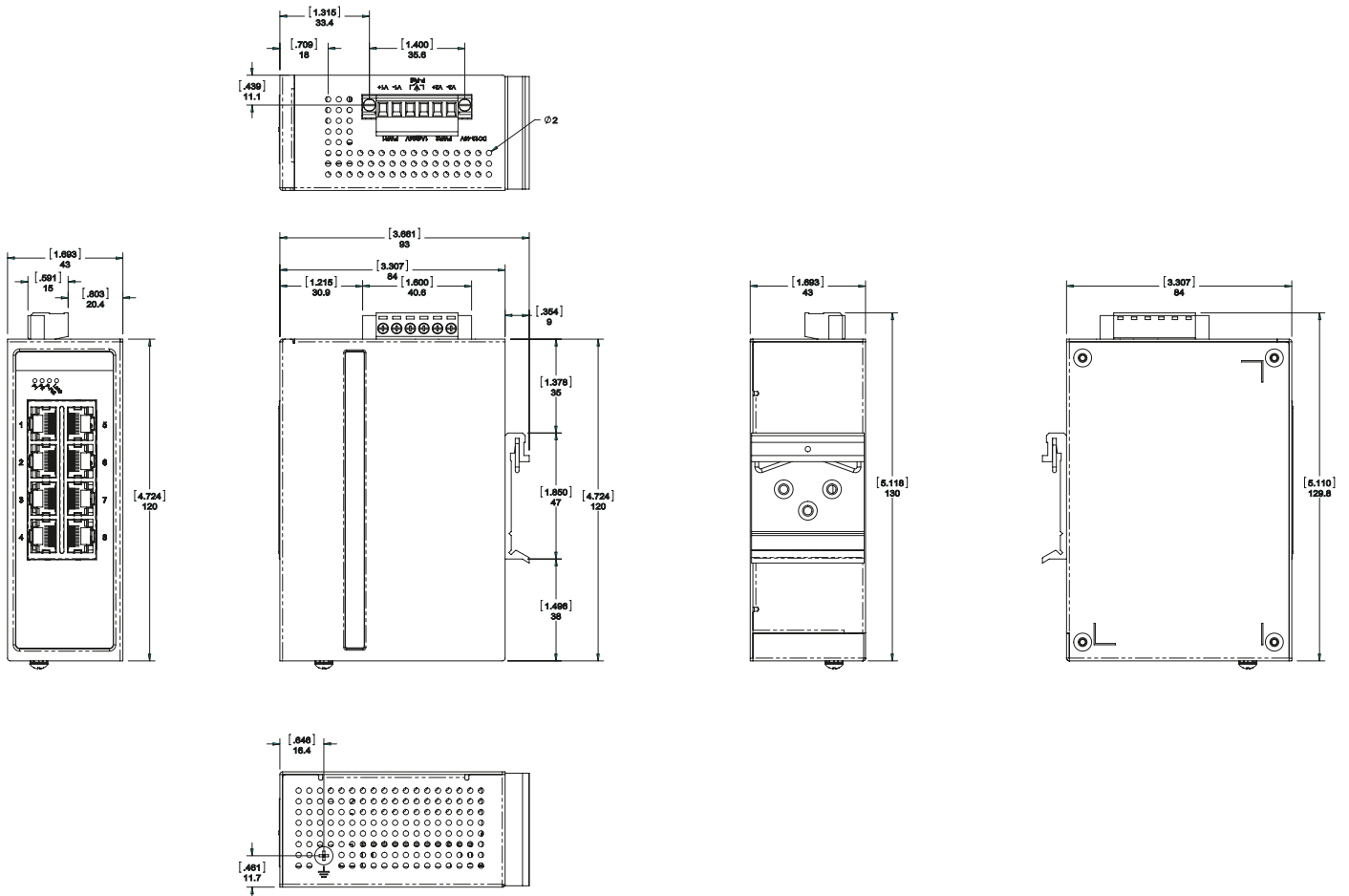


# 5 & 8 port SNMP and Modbus/TCP Capable Ethernet Switches

SE305-T, SE308-T

## SE308-T MECHANICAL DIAGRAM DIN RAIL MOUNT

Units = [inches] mm



# 5 & 8 port SNMP and Modbus/TCP Capable Ethernet Switches

SE305-T, SE308-T

## SE308-T MECHANICAL DIAGRAM WALL MOUNT

Units = [inches] mm

