

# Ultraline 7430, 7431 Electric Strikes



ALUMINUM

HOLLOW  
METALUL 1034  
BURGLARY  
LISTEDELECTRIFIED  
PRODUCTGRADE 1  
E09321

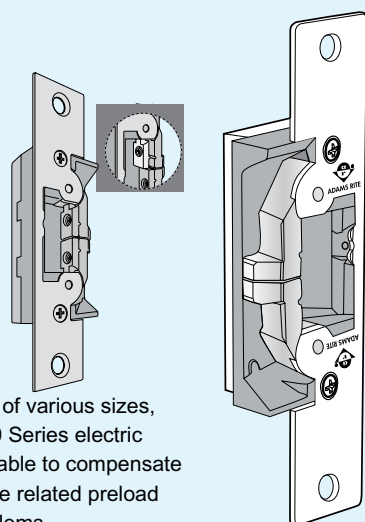
Intertek

7430, 7431 Electric Strikes with 6-7/8" faceplates are designed for Adams Rite deadlatches or cylindrical locksets with 1/2" to 5/8" latchbolt projection. For use in aluminum jambs and stiles. Opens electrically under 35lbs. of preload.

## Function

Remote electrical control of any narrow stile or hollow metal door equipped with an Adams Rite 4500, 4700, or 4900 Series (or similar) Deadlatch or cylindrical (key-in-knob/lever) type lockset with 1/2" to 5/8" latchbolt projection. Large faceplate is designed to cover strike opening when converting from an MS® pivoted-bolt deadlock to a deadlatch. Electrical actuation unlocks strike jaw, releasing latchbolt so door can be opened without operating latch itself. Extremely compact mechanism fits into jamb sections as shallow as 1-1/16". Direct upgrade for Adams Rite 7130 Electric Strikes.

This non-handed strike features an ultra-compact design and an adjustable stainless steel split-jaw with over 1500 lbs. of holding force in fail-secure mode. The strike releases electrically with up to 35 lbs. of door "preload" (pressure exerted on doors by air conditioning systems, warping or misaligned hardware which can disable common electric strikes). Single solenoid operates on 12, 16, or 24 volt AC/DC power. Strikes are equipped with a quick connect plug-in type connector.



Using jaw inserts of various sizes, the Ultraline 7400 Series electric strikes are adjustable to compensate for door and frame related preload and security problems.

## Specifications

### FAIL-SAFE/FAIL-SECURE

- Field selectable at time of installation.

### CASE

- Approximately 1" x 3-3/8" x 1-1/16" deep.

### STRIKE LIP

- Basic 7400 electric strike has lip of proper length for 1-3/4" thick door that closes flush with jamb edge. Where door thickness or jamb shape differs from this standard relationship, lip extension kits are available. Not available on 7431.

### STRIKE OPENING

- 5/8" adjustable x 1-7/16" x 1/2" deep. Bolt retainer jaw is stainless steel. Strike accepts bolt of Adams Rite 4500, 4700 (discontinued), or 4900 Series Deadlatch or cylindrical latches.

### FACEPLATE

- Measures 1-1/4" x 6-7/8". 7430 has flat faceplate; 7431 is radiused to match nose on inactive leaf in a pair of aluminum stile glass doors. Available in a wide range of architectural finishes.

### VOLTAGE

- Field selectable to match power source of 12, 16, or 24 VAC/VDC.

### CURRENT DRAW/AMPS

| VOLTS | AC INTERMITTENT | DC CONTINUOUS |
|-------|-----------------|---------------|
| 12    | 0.163           | 0.440         |
| 16    | 0.228           | 0.458*        |
| 24    | 0.084           | 0.230         |

\*Requires 16 DC adapter (P/N VA 7400-16VDC)

### STANDARD PACKAGE

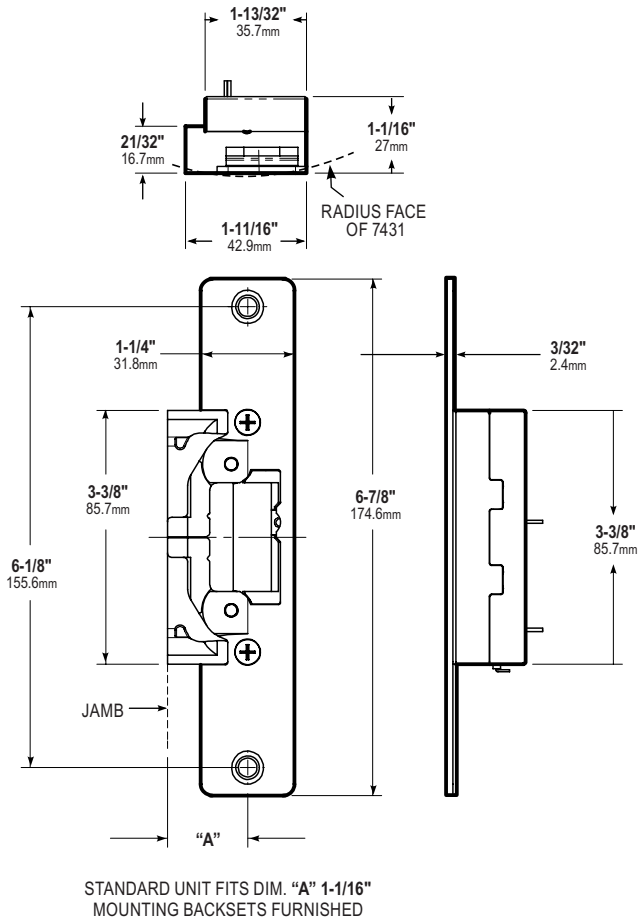
- Individually boxed with mounting screws, mounting tabs, adhesive shims to accommodate jamb or stile extrusion thickness greater or less than nominal 1/8", an adjustable jaw shim pack and two plug-in voltage adapters for 12/16/24 VAC and 12/24 VDC.

### OPTIONS

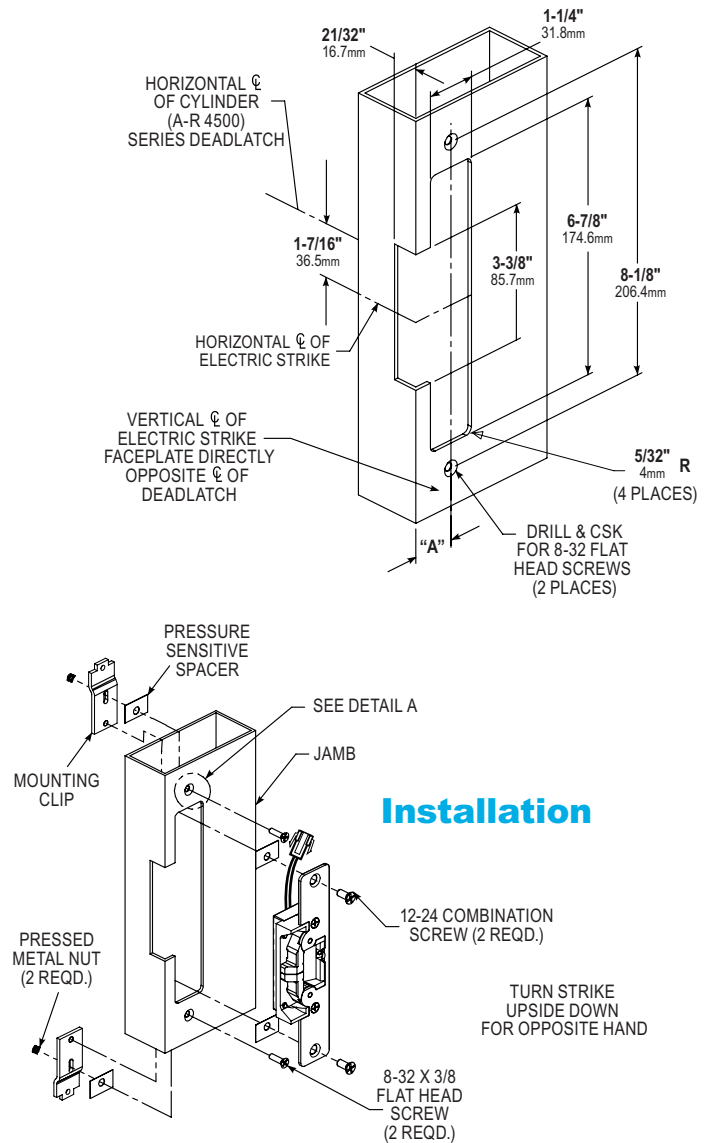
- Monitoring – Two internally mounted switches (Form "C") to indicate when the latchbolt is engaged in the strike jaws and a locked/unlocked solenoid status.
- Lip Extension Kits – For various dimensions of door centerline to jamb edge.
- Modular Packaging – Consult factory or sales representative for details.
- ELX-ElectroLynx™ Adapter – Connects Adams Rite electrified products to ElectroLynx system.
- 16 VDC Adapter – VA7400-16VDC required when using 16 VDC power.

All measurements are approximate and are provided for informational purposes only. Refer to the product Installation Instructions.

**Dimensions**



**Jamb Preparation**



**HOW TO ORDER 7430, 7431 ELECTRIC STRIKE** Specify quantity and the following information. Order related products separately.

| PRODUCT NO. | FACEPLATE SHAPE | FEATURES           | FINISH                          |  |
|-------------|-----------------|--------------------|---------------------------------|--|
| <b>743</b>  | <b>0</b>        | <b>M</b>           | <b>628</b>                      |  |
|             | <b>0</b> Flat   | - None             | <b>STANDARD FINISHES</b>        | <b>RITECOAT FINISH (7431 ONLY)</b>           |
|             | <b>1</b> Radius | <b>M</b> Monitored | <b>313</b> Dark Bronze Anodized | <b>119</b> To match 335 Black Anodized       |
|             |                 |                    | <b>335</b> Black Anodized       | <b>121</b> To match 313 Dark Bronze Anodized |
|             |                 |                    | <b>628</b> Clear Anodized       | <b>130</b> To match 628 Clear Anodized       |

Fail-secure can be field converted to fail-safe or vice-versa

**RELATED PRODUCTS** When purchasing this product, please consider the following related products, available separately:

**Options**

Lip extensions.  
ELX-ElectroLynx™ Adapter.  
VA7400-16VDC Adapter.

**Power**

4603 Rectifier, 4605/4606 Transformer, Piezo  
Horn audible indicator, PS-1.

**Deadlatches**

4500 and 4900 Series Deadlatches. Note that 4700 Deadlatch  
is discontinued and replaced by 4900 Deadlatch.