

Ultraline 7410, 7411 Electric Strikes



ALUMINUM

HOLLOW
METAL

WOOD

UL 1034
BURGLARY
LISTEDELECTRIFIED
PRODUCTGRADE 1
E09321

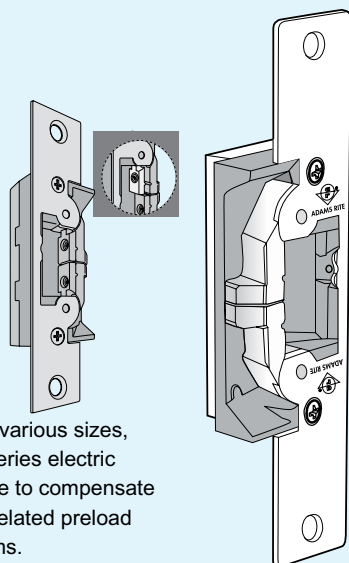
Intertek

7410 Electric Strike with 7-15/16" faceplate and 7411 Electric Strike with 10-1/4" faceplate are designed for Adams Rite deadlatches or cylindrical locksets with 1/2" to 5/8" latchbolt projection. For use in hollow metal, wood and aluminum door jambs. Opens electrically under 35 lbs. of preload.

Function

Replaces earlier 7510, 7810 electric strikes in either metal or wood jambs for remote electrical control of any door equipped with an Adams Rite 4500, 4700, or 4900 Series (or similar) Deadlatch or cylindrical (key-in-knob/lever) type lockset with 1/2" to 5/8" latchbolt projection. Electrical actuation unlocks strike jaw, releasing latchbolt so door can be opened without operating latch itself. Extremely compact mechanism fits into jamb sections as shallow as 1-1/16". Direct upgrade for Adams Rite 7110 Electric Strikes.

This non-handed strike features an ultra-compact design and an adjustable stainless steel split-jaw with over 1500 lbs. of holding force in fail-secure mode. The strike releases electrically with up to 35 lbs. of door "preload" (pressure exerted on doors by air conditioning systems, warping or misaligned hardware which can disable common electric strikes). Single solenoid operates on 12, 16, or 24 volt AC/DC power. Strikes are equipped with a quick connect plug-in type connector.



Using jaw inserts of various sizes, the Ultraline 7400 Series electric strikes are adjustable to compensate for door and frame related preload and security problems.

Specifications

FAIL-SAFE/FAIL-SECURE

- Field selectable at time of installation.

CASE

- Approximately 1" x 3-3/8" x 1-1/16" deep.

STRIKE LIP

- Basic 7400 electric strike has lip of proper length for 1-3/4" thick door that closes flush with jamb edge. Where door thickness or jamb shape differs from this standard relationship, lip extension kits are available.

STRIKE OPENING

- 5/8" adjustable x 1-7/16" x 1/2" deep. Bolt retainer jaw is stainless steel. Strike accepts bolt of Adams Rite 4500, 4700 (discontinued), or 4900 Series Deadlatch or cylindrical latches.

FACEPLATE

- 7410 faceplate measures 1-7/16" x 7-15/16". 7411 faceplate measures 10-1/4". Available in a wide range of architectural finishes.

VOLTAGE

- Field selectable to match power source of 12, 16, or 24 VAC/VDC.

CURRENT DRAW/AMPS

VOLTS	AC INTERMITTENT	DC CONTINUOUS
12	0.163	0.440
16	0.228	0.458*
24	0.084	0.230

*Requires 16 DC adapter (P/N VA 7400-16VDC)

STANDARD PACKAGE

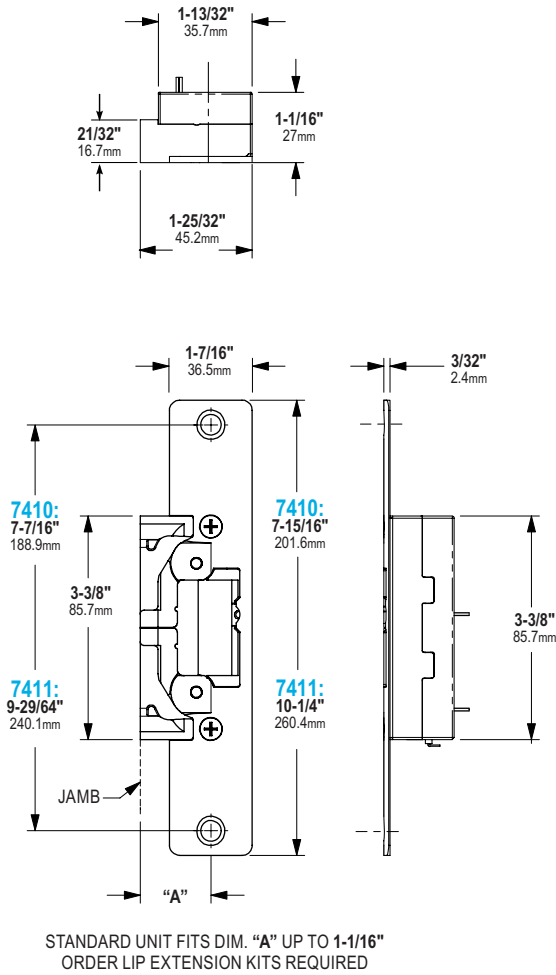
- Individually boxed with mounting screws, mounting tabs, adhesive shims to accommodate jamb or stile extrusion thickness greater or less than nominal 1/8", and adjustable jaw shim pack and two plug-in voltage adapters for 12/16/24 VAC and 12/24 VDC.

OPTIONS

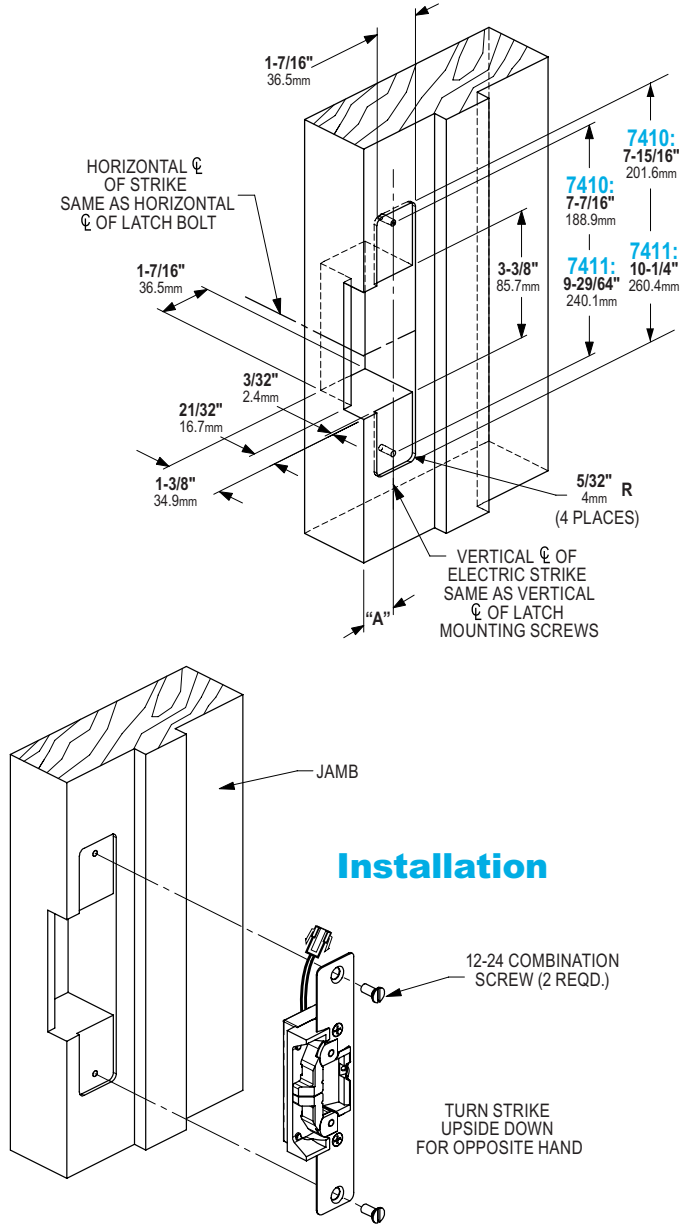
- Monitoring – Two internally mounted switches (Form "C") to indicate when the latchbolt is engaged in the strike jaws and a locked/unlocked solenoid status.
- Lip Extension Kits – For various dimensions of door centerline to jamb edge.
- Modular Packaging – Consult factory or sales representative for details.
- ELX-ElectroLynx™ Adapter – Connects Adams Rite electrified products to ElectroLynx system.
- 16 VDC Adapter – VA7400-16VDC required when using 16 VDC power.

All measurements are approximate and are provided for informational purposes only. Refer to the product Installation Instructions.

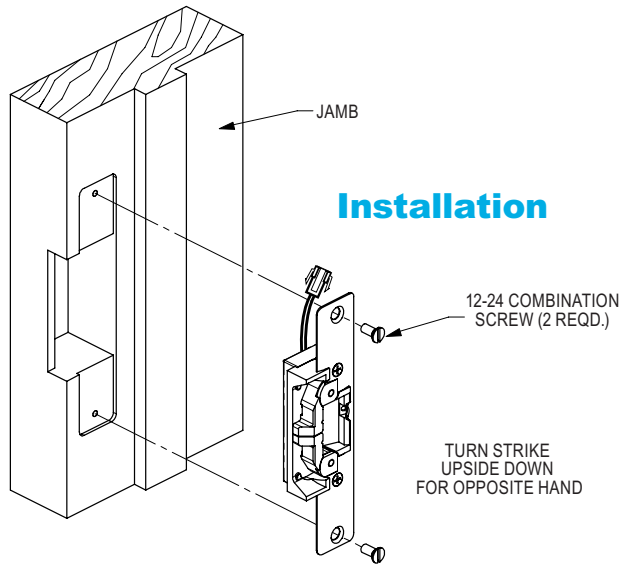
Dimensions



Jamb Preparation



Installation



HOW TO ORDER 7410, 7411 ELECTRIC STRIKE

Specify quantity and the following information. Order related products separately.

PRODUCT NO.	FACEPLATE LENGTH	FEATURES	FINISH	
741	0	-	628	
	0 7-15/16"	- None	STANDARD FINISHES	
	1 10-1/4"	M Monitored	313 Dark Bronze Anodized	628 Clear Anodized
			335 Black Anodized	630 Satin Stainless

Fail-secure can be field converted to fail-safe or vice-versa

RELATED PRODUCTS

When purchasing this product, please consider the following related products, available separately:

Options

Lip extensions.
ELX-ElectroLynx™ Adapter.
VA7400-16VDC Adapter.

Power

4603 Rectifier, 4605/4606 Transformer, Piezo Horn audible indicator, PS-1.

Deadlatches

4500 and 4900 Series Deadlatches. Note that 4700 Deadlatch is discontinued and replaced by 4900 Deadlatch.