

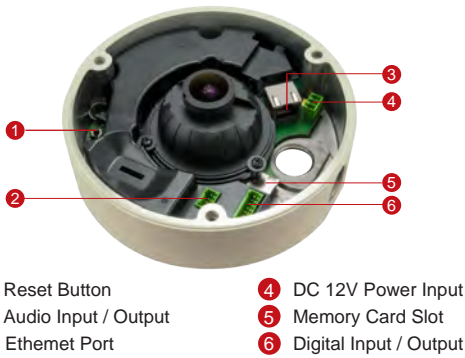
# 171

## 5MP Outdoor Hemispheric Dome with D/N, Advanced WDR, SLLS, ePTZ, Fisheye Lens

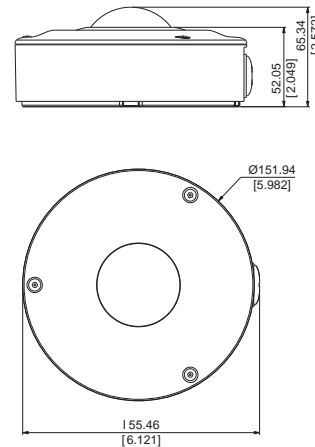


- 5 Megapixel with 1080p
- Day & Night with Superior Low Light Sensitivity
- Fisheye Lens with f1.05mm / F2.8
- Advanced WDR (80 dB)
- 15 fps at 2592 x 1944
- 180/360° Panorama View with Dewarped Streaming
- Weatherproof (IP68) and Vandal Proof (IK10)

### PHOTO INDICATION



### DIMENSION DIAGRAM



Unit: mm [inch]

### ACCESSORY OPTIONS

Power Supply		
PPOE-0001		IEEE 802.3af PoE Injector for Class 1, 2 or 3 devices, with universal adapter
PPBX-0002		AC 100-240V to DC 12V power adapter with universal connector

Popular Mounting Solutions		
Surface	No accessory required	
Wall	PMAX-0330	
Pendant	PMAX-0101 PMAX-0103	
Corner	PMAX-0330 PMAX-0402	
Pole	PMAX-0330 PMAX-0504	
Gangbox	PMAX-0804	

\* For more mounting solutions, please refer to Project Planner on [www.acti.com](http://www.acti.com)

## PRODUCT SPECIFICATION

### I71

#### • Device

Product Type	Kültéri hemispheric dome kamera
Image Sensor	Progresszív Scan CMOS
Sensor Size	1/2.5"
Effective Pixels	2592 (H) x 1944 (V) (5.04 MP)
Horizontal Resolution	1850 TVL
Day / Night	Yes
Low Light Sensitivity	Superior
Minimum Illumination	Color: 0.1 lux at F2.8 (30 IRE, 2400°K); B/W: 0.05 lux at F2.8 (30 IRE, 2400°K)
Color to B/W Switch	ISP based switch, configurable
Mechanical IR Cut Filter	Yes
IR Sensitivity Range	700 - 1100nm
IR LED	No
Electronic Shutter	1/5 - 1/2,000 sec (Manual mode); 1/5 - 1/10,000 sec (Auto mode)
S/N Ratio	56 dB

#### • Lens

Focal Length / Aperture	Fixed (fisheye lens), f1.05mm / F2.8
Iris	Fixed Iris
Focus	Fixed Focus
Mount Type	Board mount
Horizontal Viewing Angle	180° (Overview area), 109.8° (High detail area)
Vertical Viewing Angle	190°

#### • Video

Compression	H.264 (Baseline / Main / High profile), MJPEG
Max. Frame Rate vs. Resolution	Fisheye view mode: 15 fps / 2592 x 1944; 15 fps / 2048 x 1536; 30 fps / 1440 x 1080; 30 fps / 1280 x 960; 30 fps / 800 x 600; 30 fps / 640 x 480; 15 fps / 320 x 240 Dewarped view mode: 12 fps / 2592 x 1944; 12 fps / 2048 x 1536; 12 fps / 1920 x 1080; 12 fps / 1280 x 720; 12 fps / 640 x 480; 12 fps / 320 x 240
View Mode	Fisheye view; Dewarped view: 180°/ 360° Panorama, ePTZ
Multi-Streaming	Simultaneous dual streams based on two configurations
Bit Rate	28 Kbps - 6 Mbps (per stream)
Bit Rate Mode	Constant, Variable
Image Enhancement	Advanced WDR (80 dB); White balance: automatic, hold and manual; Brightness; Contrast; Sharpness (auto); Automatic gain control; 2D+3D digital noise reduction; Flickerless; Defogging
Privacy Mask	4 configurable regions
Text Overlay	User defined text on video
Image Orientation	Image flip and mirror

#### • Audio

Audio Compression	8 kHz, Mono, PCM, 16 bit encoding; G.711
Audio-in	Terminal block
Audio-out	Terminal block

#### • Network

Protocol & Service	TCP, UDP, HTTP, HTTPS, DHCP, PPPoE, RTP, RTSP, IPv4, IPv6, DNS, DDNS, NTP, ICMP, ARP, IGMP, SMTP, FTP, UPnP, SNMP, Bonjour, Sony VISA, Pelco D, Pelco P
Ethernet Port	1, Ethernet (10/100 Base-T), RJ-45 connector
Security	IP address filtering; HTTPs encryption; Password protected user levels; Anonymous login; IEEE802.1X network access control

#### • Alarm

Alarm Trigger	Video motion detection (3 regions); External device through digital input; Sound detection
Alarm Response	Notify control center; Go to ePTZ preset point or preset tour; Change camera settings; Command other devices; E-mail notification with snapshots; Save video or snapshot to local storage; Upload video or snapshot to FTP server; Activate external device through digital output

#### • Interface

Digital Input	2, Terminal block
Digital Output	2, Terminal block
Local Storage	MicroSDHC/MicroSDXC memory card slot (card not included)

#### • General

Power Source / Consumption	PoE Class 3 (IEEE 802.3af) / 7.06 W; DC 12V (Adapter not included) / 6.12 W
Weight	909 g (2.0 lb)
Dimensions (Ø x H)	152 mm X 66 mm (6" X 2.6")
Environmental Casing	Weatherproof (IP68); Vandal Proof (IK10); Transparent dome cover
Mount Type	Surface, Pendant, Wall, Corner, Pole, Gang box
Starting Temperature	-40 °C - 50°C (-40°F - 122°F)
Operating Temperature	-40 °C - 50°C (-40°F - 122°F)
Operating Humidity	10% ~ 85% RH
Approvals	CE (EN 55022 Class B, EN 55024), FCC (Part15 Subpart B Class B), IP68, NEMA 4X, IK10, UL (for optional PoE injector and power adapter)

#### • Integration

Unified Solution	Fully compatible with ACTi software
ISV Integration	Software Development Kit (SDK) available ; ONVIF compliant
Firmware Access Browser	Microsoft Internet Explorer 8.0 or newer (full functionality) Safari with QuickTime installed, and other browsers with VLC installed (partial functionality)
Auto Firmware Upgrade	Yes
GPS Position	Manual Setting

\* All specifications are subject to change without notice.

\* All brand names and registered trademarks are the property of their respective owners.

[www.acti.com](http://www.acti.com)

