

ABB PowerLine includes seven different amperage sizes from 30A to 800A. All ABB fusible switches are designed to meet customer requirements in terms of high interrupting capacity and long electrical life while occupying little more panel space than the appropriate fuses. The basic construction provides flexibility and high performance in an extremely compact size. ABB PowerLine switches are a perfect choice to withstand the heat and humidity of the tropics, the extreme cold of the arctic and any rugged industrial environment you may have.

18

International acceptance

ABB fusible switches are available with a wide range of fuse clip options:

UL	USA	CSA	Canada
DIN	Europe	BS	United Kingdom
NFC	France	Ultra-rapid	

As well as the corresponding approvals: UL listed, CSA approved, IEC rated, CE marked, and most other international standards.

UL98 (CSA 22.2 No.4) – UL File # E101914, CSA File #LR58077

For 30A – 800A switches, OH__ pistol grip handles

Suitable for use as motor disconnects or industrial control panel disconnects on service entrance equipment, panelboards, switchboards, industrial control equipment, motor control centers, etc. and are horsepower rated and ampere rated.

IEC

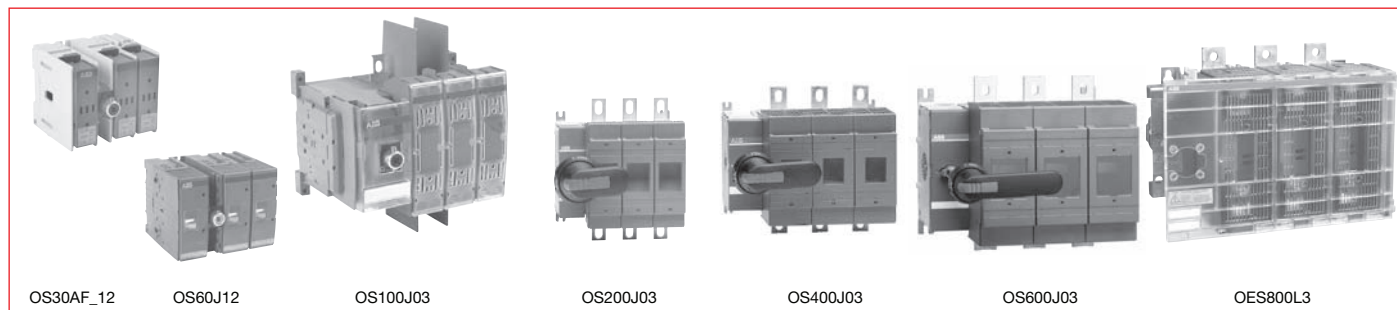
Tested in accordance to IEC 947-1 and 3, IEC 664, IEC 269, and IEC 204

CE

Compliance with the European Machine Directive IEC 204 (EN 60204)

Disconnect
switches
Fusible

Selection guide OS30AFCC12 – OES800L3



Catalog number 3 pole		OS30AFCC12	OS30AFJ12	OS60J12	OS100J03	OS200J03	OS400J03	OS600J03	OES800L3
General purpose amp rating	A	30	30	60	100	200	400	600	800
Catalog reference	Page #	18.79	18.79	18.83	18.83	18.83	18.87	18.87	18.87
Approvals ①									
	2 pole	N/A	N/A	N/A	UL98 & IEC	UL98 & IEC	UL98 & IEC	UL98 & IEC	UL98 & IEC
	3 pole	UL98 & IEC	UL98 & IEC	UL98 & IEC	UL98 & IEC	UL98 & IEC	UL98 & IEC	UL98 & IEC	UL98 & IEC
	4 pole	UL98 & IEC	UL98 & IEC	UL98 & IEC	UL98 & IEC	UL98 & IEC	UL98 & IEC	UL98 & IEC	UL98 & IEC
Technical ratings (UL,CSA)									
Max operating voltage	V	600	600	600	600	600	600	600	600
Max horsepower rating									
Three phase									
	240V HP	7.5	7.5	15	30	60	125	200	250
	480V HP	15	15	30	60	125	250	400	500
	600V HP	20	20	50	75	150	350	500	600
Single phase									
	120V HP	2	2	—	—	—	—	—	—
	240V HP	3	3	3	—	—	—	—	—
—									
UL fuse class		CC	J	J	J	J	J	J	L
Technical ratings (IEC)									
Rated insulation and operational voltage. AC20 and DC20	V	1000	1000	1000	1000	1000	1000	1000	1000
Rated thermal current, I _{th}									
AC 20/DC 20 open	A	32	32	63	160	200	400	630	800
AC 20/DC 20 enclosed	A	32	32	63	160	200	400	600	720
AC 21A ≤500V	A	32	32	63	160	200	400	630	800
≤690V	A	32	32	63	160	200	400	630	800
Rated operational power AC23									
400/415V	kW	14/15	14/15	30	80/90	110	220/230	355	350/380
690V	kW	25	25	60	132	200	400	560	600
Physical characteristics									
Weight	3 pole switch lb	1.54	1.54	2.86	3.30	5.9	12.56	28.66	37.44
	4 pole lb	1.98	1.98	3.52	3.96	7.5	15.21	37.48	46.26
Dimension	3 pole								
	H in	3.66	3.60	3.94	5.67	6.5	9.29	12.04	10.10
	W in	4.15	4.15	5.63	7.07	7.1	10.04	13.50	14.80
	D in	4.10	4.10	5.04	5.10	5.2	6.93	9.17	9.17
Accessories									
Double break contacts		S	S	S	S	S	S	S	S
Fuse cover		S	S	S	S	S	S	S	S
Terminal lug kit		Integral	Integral	Integral	OZXA-24	OZXA-200	OZXA-400	OZXA-800	OZXA-27
Terminal shroud		Not required	Not required	Not required	•	•	•	•	•
Auxiliary contact		•	•	•	•	•	•	•	•
Shaft/handle diameter		6mm	6mm	6mm	6mm	6mm	12mm	12mm	12mm
		.24 x .24"	.24 x .24"	.24 x .24"	.24 x .24"	.24 x .24"	.47 x .47"	.47 x .47"	.47 x .47"
Handle UL/NEMA type									
Type 1, 3R, 12		•	•	•	•	•	•	•	•
Type 1, 3R, 4, 4X, 12		•	•	•	•	•	•	•	•
Recommended pistol handle length		45 - 65mm	45 - 65mm	45 - 65mm	45 - 65mm	65 - 80mm	125 - 175mm	125 - 175mm	125 - 175mm
Maximum recommended shaft length		290mm	290mm	290mm	290mm	290mm	595mm	595mm	595mm
Electrical interlock		—	—	—	—	—	•	•	•

S = Standard
• = Available
— = Not available

① UL listed switches are also CSA approved.

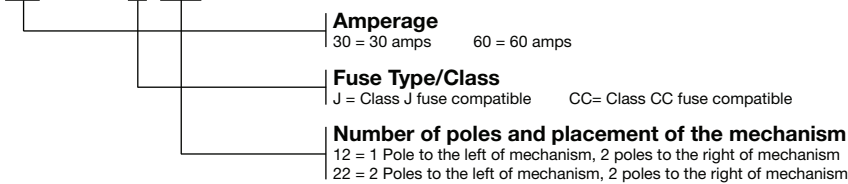
Selection information

Disconnect
switches
Fusible

Standard part number designation ①

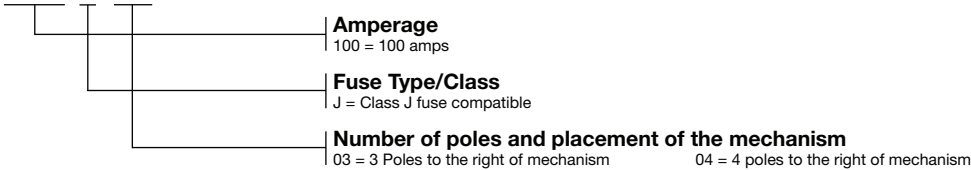
Fusible OS Switches (30 to 60A)

OS 30 F A J 22 F



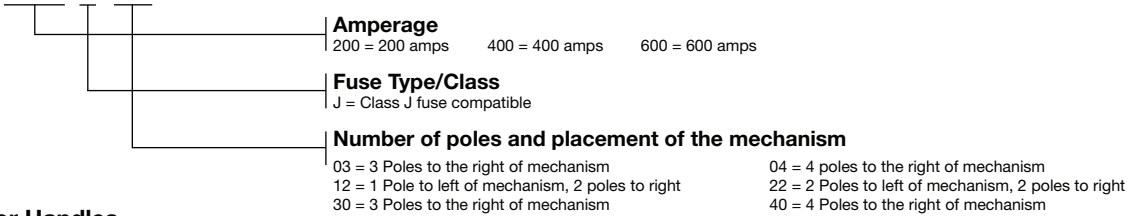
Fusible OS Switches (100A)

OS 100 J 03



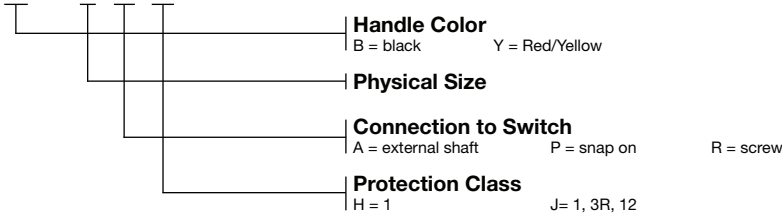
Fusible OS Switches (200A and above)

OS 200 J 04 F



Selector Handles

OHB S 1 P H



Pistol Handles

O H B 65 J 6 E011



① Part designation keys are provided for reference only. Not all variations or configurations are available.

**Disconnect
switches**
Fusible

**Base & DIN rail mounted
30 – 800A**

For a complete assembly, please select one of each:

- 1 switch (pg. 18.24)
- 1 handle (pg.18.25)
- 1 shaft (pg. 18.26)
- 1 terminal lug kit (pg. 18.27)

(Only required for 100A & above.)



	UL general purpose amp rating	UL Fuse Type 600V	2 Pole		3 Pole		4 Pole	
			Catalog number	List price	Catalog number	List price	Catalog number	List price
UL 98	30	J CC ①	—	—	OS30FAJ12 OS30FACC12	\$ 280 280	OS30FAJ22F OS30FACC22F	\$ 350 350
	60	J	—	—	OS60J12	380	OS60J22F	490
	100	J	—	—	OS100J03	520	OS100J04F	660
	200	J	OS200J02	\$ 1,240	OS200J03 OS200J30 OS200J12	1,380 1,380 1,380	OS200J04F OS200J13F OS200J22F	1,725 1,725 1,725
	400	J	OS400J02	1,680	OS400J03 OS400J30 OS400J12	1,860 1,860 1,860	OS400J04F	2,320
	600	J	OS600J02	2,600	OS600J03 OS600J30 OS600J12	4,613 4,613 4,613	OS600J04F	5,536
	800	L	OES800L2	4,280	OES800L3	4,760	OES800L4	5,950

① Rejection style fuses only.