

# EM-NVRP216-P16

## Network Video Recorder



### Key Features

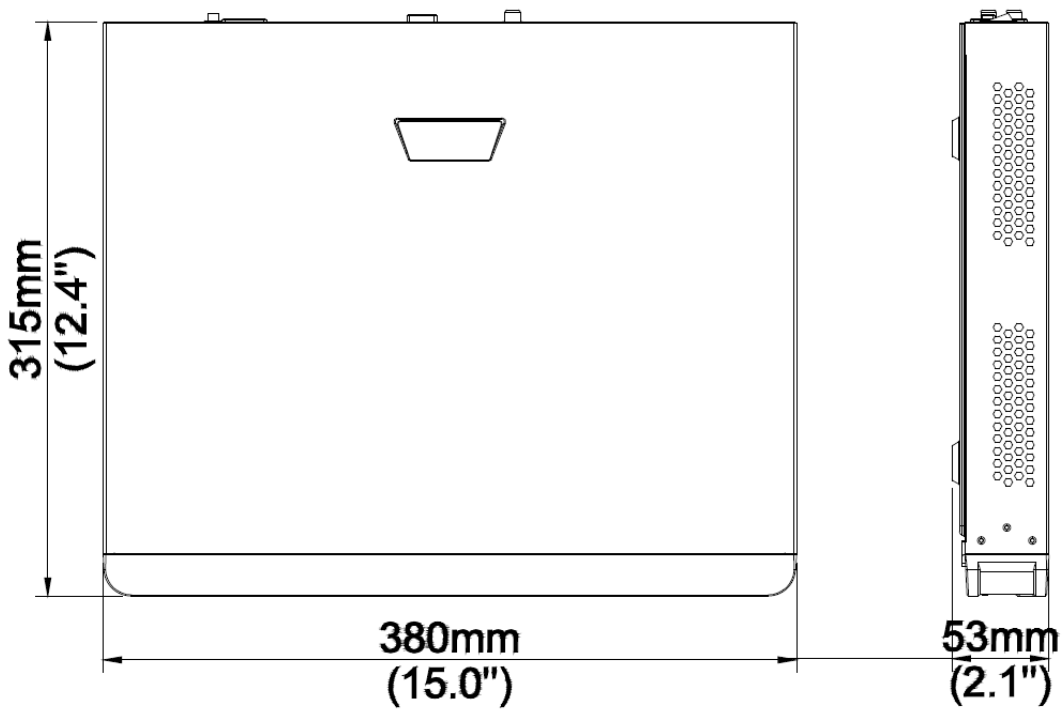
- Support Ultra H.265/H.265/H.264 video formats
- 8/16-channel input
- Plug & Play with 8/16 independent PoE network interfaces
- Supports mainstream cameras of ONVIF conformance(Profile S, Profile G, Profile T ) and RTSP protocols
- Support 1-ch HDMI, 1-ch VGA. HDMI up to 4K (3840x2160) resolution
- HDMI and VGA independent outputs provided
- Up to 12 Megapixels resolution recording
- 2 SATA HDDs, Up to 10TB for each HDD
- Various fisheye dewarping modes for live view and playback for both web interface and GUI
- ANR technology to enhance the storage reliability when the network is disconnected
- Support cloud upgrade

# Specifications

Model	EM-NVRP208-P8	EM-NVRP216-P16
<b>Video/Audio Input</b>		
IP Video Input	8-ch	16-ch
Two-way Audio Input	1-ch, RCA	
<b>Network</b>		
Incoming Bandwidth	320Mbps	
Outgoing Bandwidth	320Mbps	
Remote Users	128	
Protocols	TCP/IP, P2P, UPnP, NTP, DHCP, PPPoE, HTTP, HTTPS, DNS, DDNS, SNMP, SMTP, NFS	
<b>Video/Audio Output</b>		
HDMI/VGA Output	VGA: 1920x1080p/60Hz, 1920x1080p/50Hz, 1600x1200/60Hz, 1280x1024/60Hz, 1280x720/60Hz, 1024x768/60Hz HDMI: 4K (3840x2160)/30Hz, 1920x1080p/60Hz, 1920x1080p/50Hz, 1280x1024/60Hz, 1280x720/60Hz, 1024x768/60Hz	
Recording Resolution	12MP/8MP/6MP/5MP/4MP/3MP/1080p/960p/720p/D1/2CIF/CIF	
Audio Output	1-ch, RCA	
Audio Compression	G.711A, G.711U	
Synchronous Playback	8-ch	16-ch
Liveview display	1/4/6/8/9	1/4/6/8/9/16
Corridor Mode Screen	3/4/5/7/9	3/4/5/7/9/10/12/16
<b>Decoding</b>		
Decoding format	Ultra 265, H.265, H.264	
Live view/Playback	12MP/8MP/6MP/5MP/4MP/3MP/1080p/960p/720p/D1/2CIF/CIF	
Capability	1 x 12MP@30, 2 x 4K@30, 5 x 4MP@30, 8 x 1080P@30	1 x 12MP@30, 2 x 4K@30, 5 x 4MP@30, 10 x 1080P@30, 16 x 720P@30
<b>Hard Disk</b>		
SATA	2 SATA interfaces	
Capacity	up to 10TB for each HDD	
eSATA	NA	
Disk Group	Support	
<b>Smart</b>		
VCA Detection by Camera	Face detection, Face comparison, Intrusion detection, Cross line detection, Enter area, Leave area, Defocus detection, Scene change detection, Object left behind, Object removed, Auto tracking	
VCA Search	Face search, Face comparison search, Behavior search, Vehicle search	
People Counting	People Counting	
<b>General Alarm</b>		
General Alarm	Motion, tampering, human body detection, video loss, input alarm, audio detection	
Alert Alarm	IP Conflict, Network Disconnected, Disk offline, Disk Abnormal, Illegal Access, Hard disk space low, Hard disk full, Recording/Snapshot Abnormal	
<b>External Interface</b>		
Network Interface	1 RJ45 10M/100M/1000M self-adaptive Ethernet Interfaces	
USB Interface	Front panel: 1 x USB2.0, Rear panel: 1 x USB3.0	
RS232	NA	
RS485	1	
Alarm In	8-ch	
Alarm Out	2-ch	
<b>PoE</b>		
Interface	8 RJ-45 10M/100M self-adaptive Ethernet Interface	16 RJ-45 10M/100M self-adaptive Ethernet Interface
Max Power	Max 30W for single port	Max 30W for single port

	Max 130W in total	Max 240W in total
Supported Standard	IEEE 802.3af/at	
<b>General</b>		
Power Supply	100~240V AC Power Consumption: ≤ 10 W (without HDD)	
Working Environment	-10°C~+ 55°C (+14°F~+131°F), Humidity ≤ 90% RH (non-condensing)	
Dimensions (WxDxH)	380mm × 315mm × 53mm (15.0" × 12.4" × 2.1")	
Weight (without HDD)	≤2.6Kg (5.73lb)	
<b>Certification</b>		
Certification	FCC CE UL	

## Dimensions



## Rear Panel

Take EM-NVRP216-P16 for example.

