

IMAX-IPC-PF83230-A180

4x8MP Multi-Sensor Panoramic Bullet Network Camera



- Four 1/1.8" 8Megapixel progressive scan CMOS
- H.265/H.264 triple-stream encoding
- Max 25fps@8640x3840
- Support 180-degree panoramic view
- Day/Night(ICR), 3DNR, AWB, AGC, BLC
- Micro SD memory, IP67, IK10



System Overview

The multi-sensor camera provides added flexibility for capturing wide area video surveillance. With four 8MP sensors working in tandem to create a comprehensive 180-degree overview, the camera can replace multiple single-sensor cameras providing a higher return on investment. The multi-sensor camera features contrast, backlight compensation, white balance, and resolution control to create a crystal-clear image even in the most challenging lighting conditions.

Functions

Starlight Technology

For challenging low-light applications, Imaxcampro Starlight Ultra-low Light Technology offers best-in-class light sensitivity, capturing color details in low light down to 0.009lux. The camera uses a set of optical features to balance light throughout the scene, resulting in clear images in dark environments.

HEVC(H.265)

The H.265 (ITU-T VCEG) video compression standard offers double the data compression ratio at the same level of video quality, or substantially improved video quality at the same bit rate, as compared to older video compression technologies. H.265 offers such impressive compression by expanding the pattern comparison and difference-coding, improving motion vector prediction and motion region merging, and incorporating an additional filtering step called sample-adaptive offset filtering.

Environmental & Protection

With a temperature range of -40 °C to +60 °C (-40 °F to +140 °F), the camera is designed for extreme temperature environments. Supporting ±25% input voltage tolerance, this camera suits even the most unstable conditions for outdoor applications. Its 6KV lightning rating provides effective protection for both the camera and its structure against lightning. Subjected and certified to rigorous dust and immersion tests (IP67) and impact tests (IK10), The camera complies with an IK10 impact rating making it capable of withstanding the equivalent of 5 kg (11.02 lbs) of force dropped from a height of 40 cm (15.75 in.)

Technical Specification

Camera

Image Sensor	Four 1/1.8" 8Megapixel progressive scan CMOS
Effective Pixels	8640(H)x3840(V)
RAM/ROM	3072MB/384MB
Scanning System	Progressive
Electronic Shutter Speed	Auto/Manual, 1/3~1/100000s
Minimum Illumination	0.009Lux/F2.4(Color,1/3s,30IRE) 0.05Lux/F2.4(Color,1/30s,30IRE) 0.005Lux/F2.4(B/W,1/3s,30IRE) 0.03Lux/F2.4(B/W,1/30s,30IRE)
S/N Ratio	More than 50dB
IR Distance	N/A
IR On/Off Control	N/A
IR LEDs	N/A

Lens

Lens Type	Fixed				
Mount Type	Board-in				
Focal Length	4.5mm				
Max. Aperture	F2.4				
Angle of View	H: 180°, V:80°				
Optical Zoom	N/A				
Focus Control	Fixed				
Close Focus Distance	N/A				
DORI	Lens	Detect	Observe	Recognize	Identify
Distance	4.5mm	90m(295ft)	36m(118ft)	18m(59ft)	9m(30ft)

Pan/Tilt/Rotation

Pan/Tilt/Rotation Range	Pan:0°~360°; Tilt:0°~90°; Rotation:0°~355°
-------------------------	--

Intelligence

Event Trigger	Network disconnection , IP address conflict, Illegal Access,Storage anomaly
IVS	N/A
Advanced Intelligent Functions	N/A

Video

Compression	H.265/H.264/H.264B/H.264H/MJPEG(Sub Stream)
Smart Codec	N/A
Streaming Capability	3 Streams
Resolution	8640x3840/3840x1680/2880x1264/ 1920x832/1284x560/1032x452
Frame Rate	Main Stream: 8640x3840 (1~25fps) Sub Stream: 1032x452 (1 ~ 25fps) Third Stream: 1920x832 (1 ~ 25fps)
Bit Rate Control	CBR/VBR
Bit Rate	H.265: 3840Kbps~ 32768Kbps H.264: 10752Kbps~ 32768Kbps

Day/Night	Auto(ICR) / Color / B/W
BLC Mode	BLC / HLC / DWDR
White Balance	Auto/Natural/Street Lamp/Outdoor/Manual
Gain Control	Auto/Manual
Noise Reduction	3D DNR
Motion Detection	N/A
Region of Interest	Off / On (4 Zone)
Electronic Image Stabilization(EIS)	N/A
Smart IR	N/A
Defog	N/A
Digital Zoom	16x
Flip	N/A
Mirror	N/A
Privacy Masking	N/A

Audio

Compression	G.711a/G.711Mu/AAC/ G.726
-------------	---------------------------

Network

Ethernet	RJ-45 (100/1000Base-T)
Protocol	HTTP;HTTps;TCP;ARP;RTSP;RTP;UDP;RTCP;SMTP; FTP;DHCP;DNS;DDNS;PPPOE;IPv4/v6;QoS;UPnP; NTP;Bonjour;IEEE 802.1x;Multicast;ICMP;IGMP;S NMP;TLS
Interoperability	API
Streaming Method	Unicast / Multicast
Max. User Access	7 Users/20 Users
Edge Storage	NAS Local PC for instant recording Mirco SD card 128GB
Web Viewer	IE, Chrome, Firefox, Safari
Management Software	Smart PSS, DSS, DMSS
Smart Phone	N/A

Certifications

Certifications	CE (EN 60950:2000) UL:UL60950-1 FCC: FCC Part 15 Subpart B
----------------	--

Interface

Video Interface	N/A
Audio Interface	2/1 channel In/Out
RS485	N/A
Alarm	2 channel In: 5mA 5VDC 2 channel Out: 1A 30VDC / 0.5A 50VAC

Electrical

Power Supply	DC36V
Power Consumption	<35W

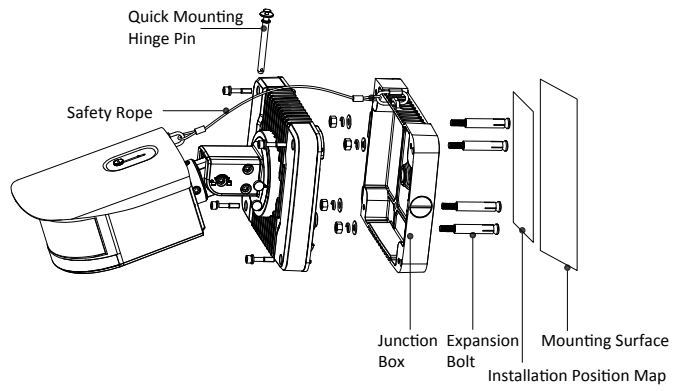
Panoramic Series | IMAX-IPC-PF83230-A180

Environmental

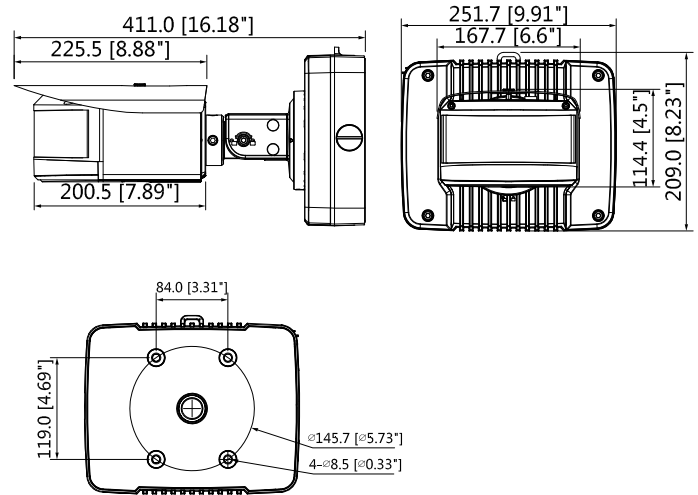
Operating Conditions	-40° C ~ +60° C (-40° F ~ +140° F) / Less than 95% RH
Storage Conditions	-40° C ~ +60° C (-40° F ~ +140° F) / Less than 95% RH
Ingress Protection	IP67
Vandal Resistance	IK10

Construction

Casing	Metal
Dimensions	411mm×251.7mm×114.4mm (16.18" ×9.91" ×4.5")
Net Weight	6.9kg(15.2lb)
Gross Weight	10kg(22lb)



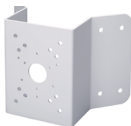
Dimensions (mm/inch)



Ordering Information		
Type	Part Number	Description
4x8MP camera	DH-IPC-PF83230P-A180	4x8MP Multi-Sensor Panoramic Bullet Network Camera, PAL
	DH-IPC-PF83230N-A180	4x8MP Multi-Sensor Panoramic Bullet Network Camera,NTSC
	IPC-PF83230P-A180	4x8MP Multi-Sensor Panoramic Bullet Network Camera, PAL
	IPC-PF83230N-A180	4x8MP Multi-Sensor Panoramic Bullet Network Camera,NTSC
Accessories (Included)	DC Power	DC36V Power
Accessories (optional)	PFA150	Pole mount
	PFA151	Corner mount



PFA150
Pole mount



PFA151
Corner mount