



HD



H.264



DDNS



Network



PTZ



Audio



MIC



Mobile



CMS



USB



Mouse



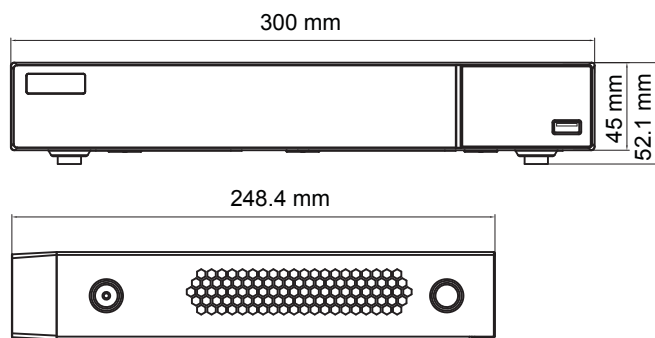
E-mail



Characteristics

- 4 / 8 CH TVI / AHD 2.0 video input
- 4 / 8 CH 1080P / 1080P lite / 720P recording
- 4 CH DVR supports 1 CH IPC 1080P / 960P / 720P recording; 8 CH DVR supports 1 CH IPC 3MP / 1080P / 960P / 720P recording
- Adopt standard H.264 high profile compression format to get high-quality video at much lower bit rate
- Intuitive and user-friendly Graphics User Interface (GUI), window style operation by mouse
- Multi-mode recording: manual / timer / motion / sensor
- Playback : 4 / 8 CH simultaneously playback
- Search: time / calendar, events (alarm, motion)
- Express and flexible backup via USB and network and so on
- Pentaplex: preview, record, playback, backup and remote access
- DHCP, DDNS, PPPoE network protocol, IE browse and CMS supported
- Remote control via IE or CMS : preview, playback, backup, PTZ and configuration
- Dual stream technology to encode recording stream and network stream respectively; network stream can be adjustable to fit bandwidth without changing recording quality
- Multi-user online simultaneously
- Authorization management, log review and device status review
- HDMI 1080P output, true high resolution display
- Support PTZ preset and auto cruise, up to 128 presets and 8 cruises
- Powerful smart phone surveillance supporting iPhone, Android
- Support NAT function, support QR code scanning by mobile phone
- Complete SDK software available, easy to integrate with other applications

Dimensions

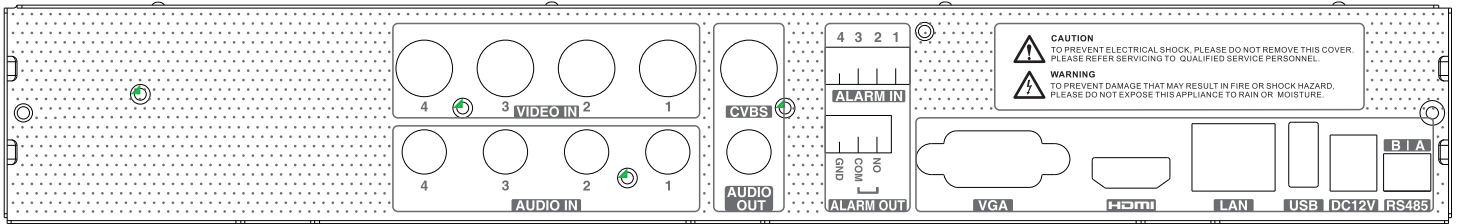


Specification

Model		VTD-2104	VTD-2108	
System	Compression	Standard H.264 High Profile		
	CPU	Cortex A7		
	OS	Embedded Linux		
Video	Input	BNC × 4	BNC × 8	
	Resolution	TVI / AHD 2.0 1080P, 720P, WD1 real time		
	IP Input / Access Bandwidth	IPC × 1 / 6Mbps		
	Output	HDMI × 1 : 1920 × 1080, VGA × 1 : 1920 × 1080, BNC × 1 : CVBS (used as the main or spot output)		
Audio	Input	RCA × 4		
	Output	RCA × 1		
	Two-way audio	Take up channel one audio input		
Record	Resolution	1080P, 1080P lite, 720P		
	Frame Rate	1080P : 1~12fps (PAL / NTSC) 1080P Lite / 720P : 1~real time (PAL / NTSC)		
	Bit Rate	768Kbps ~ 8Mbps		
	Encode	VBR / CBR		
	Quality	6 Level		
	Mode	Manual, timer, motion, sensor		
	File Manager	Lock, unlock		
IP Input	Resolution	1080P / 960P / 720P	3MP / 1080P / 960P / 720P	
	Frame Rate	3MP	No	12fps (PAL) 15fps (NTSC)
		1080P / 960P / 720P	25fps (PAL) 30fps (NTSC)	25fps (PAL) 30fps (NTSC)
Play back	Playback	4 CH		
	Search	Time / calendar search, event (motion, sensor)		
	Smart Search	Highlighted date and time to display the channel record		
	Function	Play, pause, FF, FB, digital zoom		
Alarm	Mode	Sensor, motion, video loss		
	Input	4		
	Output	1		
	Triggering	Record, PTZ move, alarm out, e-mail, etc		
Network	Interface	RJ45 10M / 100M × 1		
	Protocol	TCP / IP, UDP, DHCP, DNS, PPPOE, DDNS		
	Others	10 users online, dual stream		
Cell Phone	OS	iPhone, Android		
	Function	Multi-screen surveillance (for certain model), record, snapshot, PTZ control, save the device list		
Port	HDD	SATA × 1		
	RS485	RS485 × 1		
	USB	USB 2.0 × 2, connect to mouse and USB backup device		
	Remote Controller	Optional		
Others	Power Supply	DC 12V		
	Consumption	≤ 5W (without HDD)	≤ 8W (without HDD)	
	Dimensions (mm)	255 × 210 × 42 (W × D × H) 300 × 270 × 55 (W × D × H) 300 × 248 × 52 (W × D × H)	300 × 270 × 55 (W × D × H) 300 × 248 × 52 (W × D × H)	
	Work Environment	-10 ~ 50 °C , 10% ~ 90% humidity		

Rear Panels

VTD-2104



VTD-2108

