

Lite TVI Series

IR Indoor Dome Camera



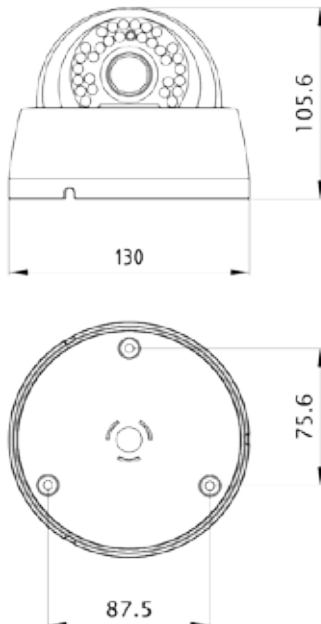
Lite HD-TVI

1080P | **2.8-12** | **D&N ICR**
MM | **True WDR**

Features

- FULL HD 1080P
- HD TVI SOLUTION
- 1/2.9" 2.1Megapixel Sony Exmor CMOS
- ICR FILTER CHANGE FUNCTION
- BUILT IN OSD CONTROLLER & 2nd BNC CONNECTOR
- 0.02Lux(Sens-UP X32)
- 3DNR (DIGITAL NOISE REDUCTION)
- True WDR
- 30 IR 90 FT
- 2.8~12mm DC Auto Iris Varifocal Lens

Dimensions



Specifications

DESCRIPTION	VAC-8SDW21A
IMAGE SENSOR	1/2.9" 2.1Megapixel Sony Exmor CMOS
EFFECTIVE PIXEL	1920 (H) × 1080 (V) = 2.07M
SCANNING SYSTEM	Progressive
SYNCHRONIZATION	Internal
HORIZONTAL RESOLUTION	1080P
VIDEO OUTPUT	TVI, CVBS : 1.0Vp-p, 75Ω composite
S/N (Y Signal)	More than 52dB
Min. ILLUMINATION	0.02Lux(Sens-UP X32)
IRIS ADJUSTMENT	ALC / ELC
LENS	2.8~12mm DC Auto Iris Varifocal Lens (ICR)
ELECTRONIC SHUTTER	AUTO(1/30~1/60,000)
OSD LANGUAGE	ENG/CHN/CHN[S]/JPN/KOR
BACKLIGHT COMPENSATION	OFF /HLC/BLC/WDR
Day & Night	COLOR/BW/EXTERN/AUTO
WDR (120dB)	OFF/LOW/MIDDLE/HIGH
AUTO GAIN CONTROL	LEVEL(0~20)Adjustment
WHITE BALANCE	AUTO/AUTODEXT/PRESET/MANUAL
PRIVACY MASKING	On / Off (Programmable 16 zones)
DNR	OFF/LOW/MIDDLE/HIGH
SMART IR	ANTI-SET (0~20)Adjustment
LSC	OFF/ON
Gamma	0.45/0.5/0.55/0.6/0.65
DEFOG	OFF/ON
DIGITAL ZOOM	OFF/ON (x1 ~ x8.0)
DAEAD PIXEL COMPENSATION	LIVE DPC/ DPC SET
SENS-UP	OFF/ X2~X32
MOTION	4 AREA
DIGITAL EFFECT	OFF / V-FLIP / MIRROR / ROTATE
COMMUNICATION	RS485 (OPTION)
IR LED	30 PCS
INPUT VOLTAGE	DC 12V /AC 24V DUAL VOLTAGE
POWER CONSUMPTION	DC IR OFF : 200mA (MAX) / DC IR ON : 550mA (MAX)
	AC IR OFF : 190mA (MAX) / AC IR ON : 370mA (MAX)
OPERATING TEMP. / HUM.	-10℃ ~ +50℃ / MAX 90% RH
STORAGE TEMP. / HUM.	-20℃ ~ +60℃ / MAX 90% RH