

2MP Vandal-resistant IR Fixed Mini Dome Camera

IPC312SR-VPF28(40)-C



Key Features

Optics

- Day/night functionality
- Smart IR, up to 15m (49ft) IR distance
- 2D/3D DNR (Digital Noise Reduction)
- Car-grade LEDs, brighter and uniform light compensation

Compression

- Ultra 265, H.264, MJPEG
- Embedded smart algorithm
- Triple streams
- ROI (Region of Interest)
- Customized OSD

Network

- ONVIF Conformance

Structure

- Wide temperature range: -35°C ~ 60°C (-31°F ~ 140°F)
- Wide voltage range of ±25%
- Built-in microphone
- IK10 vandal resistant

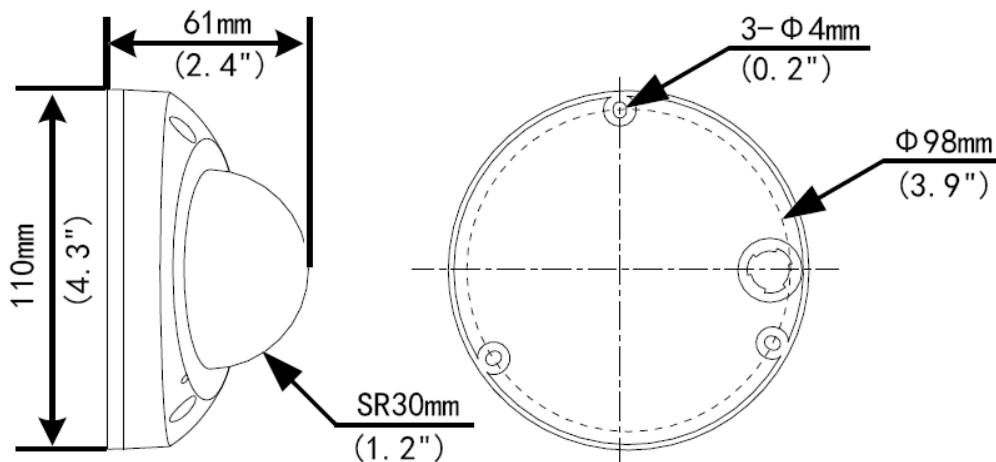
- IP67
- 3-Axis

Specifications

	IPC312SR-VPF28-C	IPC312SR-VPF40-C			
Camera					
Sensor	1/2.9", 2.0 megapixel, progressive scan, CMOS				
Lens	2.8mm@F2.0		4.0mm@F2.0		
DORI Distance	Lens (mm)	Detect (m)	Observe (m)	Recognize (m)	Identify (m)
	2.8	45	18	9	4.5
	4.0	64.3	25.7	12.9	6.4
Angle of View (H)	107.8°		82.0°		
Angle of View (V)	56.7°		41.4°		
Angle of View (O)	140.2°		100.9°		
Adjustment angle	Pan: 0° ~ 90°		Tilt: 0° ~ 65°		Rotate: 0° ~ 360°
Shutter	Auto/Manual, 1 ~ 1/100000s				
Minimum Illumination	Colour: 0.005Lux (F2.0, AGC ON) 0Lux with IR				
Day/Night	IR-cut filter with auto switch (ICR)				
Digital noise reduction	2D/3D DNR				
S/N	≥52dB				
IR Range	Up to 15m (49ft) IR range				
Defog	Digital Defog				
WDR	DWDR				
Video					
Video Compression	Ultra 265, H.264, MJPEG				
H.264 code profile	Baseline profile, Main Profile, High Profile				
Frame Rate	Main Stream: 2MP (1920*1080), Max 30fps; Sub Stream: 2MP (1920*1080), Max 30fps; Third Stream: D1 (720*576), Max 30fps				
HLC	Supported				
BLC	Supported				
9:16 Corridor Mode	Supported				
OSD	Up to 8 OSDs				
Privacy Mask	Up to 8 areas				
ROI	Up to 8 areas				
Motion Detection	Up to 4 areas				
Smart					
Behavior Detection	Intrusion, cross line, motion detection				
Intrusion	Enter and loiter in a pre-defined virtual region				
cross line	Cross a pre-defined virtual line				
motion detection	Moving within a pre-defined virtual region				
Recognition	Face detection, Audio detection				
Intelligent Identification	Defocus, Scene Change, Object Left, Object Moving				

Statistical Analysis	People counting
General Function	Watermark, IP Address Filtering, Tampering Alarm, Access Policy, ARP Protection, RTSP Authentication, User Authentication
Audio	
Audio Compression	G.711
Two-way audio	Supported
Suppression	Supported
Sampling Rate	8KHZ
Storage	
Edge Storage	Micro SD, Up to 256GB
Network Storage	ANR
Network	
Protocols	IPv4, IGMP, ICMP, ARP, TCP, UDP, DHCP, PPPoE, RTP, RTSP, RTCP, DNS, DDNS, NTP, FTP, UPnP, HTTP, HTTPS, SMTP, 802.1x, SNMP, QoS
Compatible Integration	ONVIF (Profile S, Profile G, Profile T), API
Interface	
Audio I/O	audio cable
	Input: impedance 35kΩ; amplitude 2V [p-p]
	Output: impedance 600Ω; amplitude 2V [p-p]
Built-in Mic	Supported
Network	1 RJ45 10M/100M Base-TX Ethernet
General	
Power	DC 12V±25%, PoE (IEEE 802.3af)
	Power consumption: Max 4.5W
Dimensions (Ø x H)	Φ110 x 61mm (Ø4.3" x 2.4")
Weight	0.25kg (0.55lb)
Working Environment	-35°C ~ 60°C (-31°F ~ 140°F), Humidity: ≤95% RH (non-condensing)
Ingress Protection	IP67
Vandal Resistant	IK10

Dimensions



Zhejiang Uniview Technologies Co., Ltd.

Building No.10, Wanlun Science Park, Jiangling Road 88, Binjiang District, Hangzhou, Zhejiang, China (310051)

Email: overseasbusiness@uniview.com; globalsupport@uniview.com

<http://www.uniview.com>

©2019 Zhejiang Uniview Technologies Co., Ltd. All rights reserved.

*Product specifications and availability are subject to change without notice.