

## AMX-SF5M/11

### 5MP IR Fisheye Camera



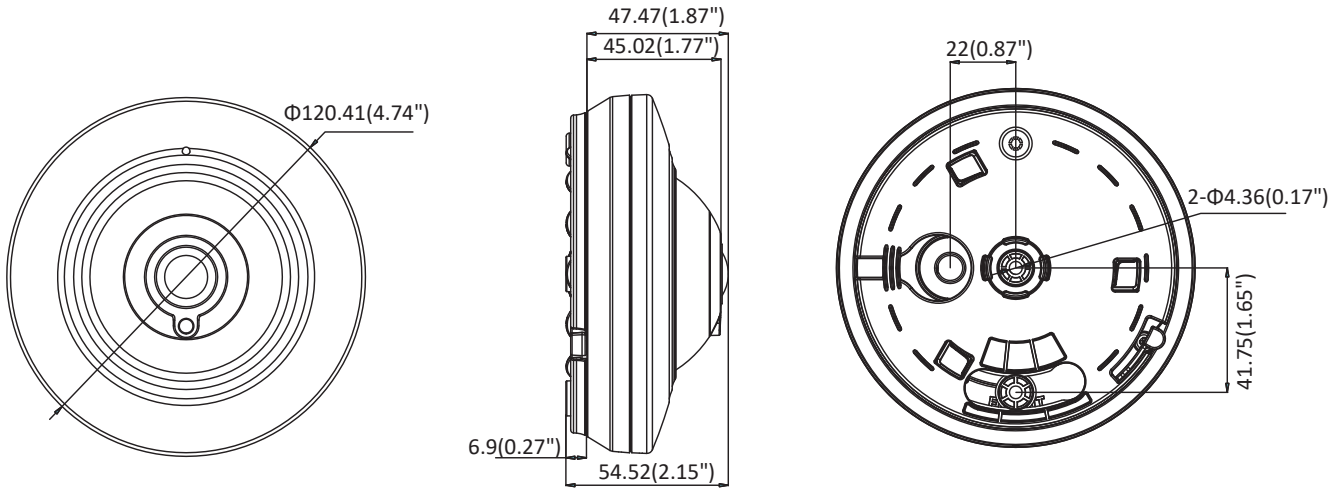
#### Key Features

- 5 Megapixel high-performance CMOS
- Analog HD output, up to 5MP resolution
- IR cut filter with auto switch
- OSD menu
- Built-in microphone
- Up the coax, Protocol: HIKVISION-C

## Specifications

<b>Model</b>	SCCSF5M/11
<b>Camera</b>	
Image Sensor	5Mega Progressive Scan CMOS
Effective Pixels	2592(H)*1944(V)
Min. illumination	0.01 Lux @ (F1.2,AGC ON), 0 Lux with IR
Shutter Time	1/12.5s to 1/20,000s
Lens	1.1mm
Lens Mount	M12
Day & Night	ICR
Angle Adjustment	Pan: 0°-30°; Tilt: 0°; Rotate: 0°
Synchronization	Internal Synchronization
Video Frame Rate	5MP@12.5fps
HD Video Output	1-ch BNC Output
Audio In	Built-in Mic
Audio Out	1-ch, BNC Output, (Output Impedance: 1KΩ)
<b>Menu</b>	
Mounting Type	Ceiling/Wall
Ceiling Mounting Display Mode	Default, Panorama, 4 PTZ, Fisheye & 3 PTZ, Annular, Mini-fisheye & 1 PTZ, Annular & 2 PTZ
Wall Mounting Display Mode	Default, Panorama, 4 PTZ, Fisheye & 3 PTZ, Panorama & 3 PTZ
D/N Mode	Color/BW/AUTO
Functions	Brightness, contrast, saturation, sharpness
<b>General</b>	
Operating Conditions	-20 °C to 60 °C (-4 °F to 140 °F), Humidity 90% or less (non-condensing)
Power Supply	DC12V±15%
Power Consumption	5.5W MAX
IR Range	10-20m
Communication	Up the coax, Protocol: HIKVISION-C
Dimensions	Φ120.4mm×54.5mm (Φ4.74"×2.14")
Weight	Approx. 350g (0.77lb)

## Dimensions



unit:mm