



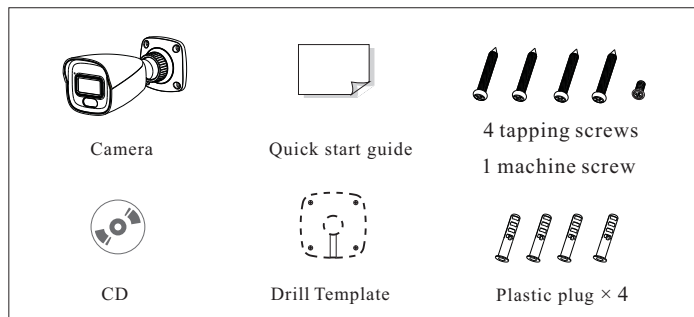
Network Camera Quick Start Guide

- Please read this instruction carefully before using the product and keep it for further reference.
- All the examples and pictures used here are for reference only.
- The contents of this manual are subject to change without notice.

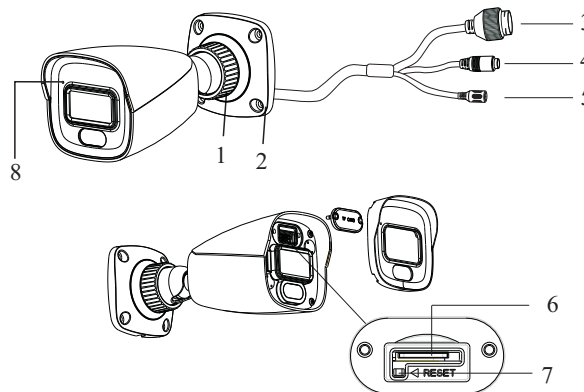
1 Warning and Caution

- If the product does not work properly, please contact your dealer or the nearest service center. Never attempt to disassemble the camera yourself. (We shall not be responsible for any problems caused by unauthorized repair or maintenance.)
- Do not allow water or liquid intrusion into the camera.
- In the use of the product, you must be strict compliance with the electrical safety regulations of the nation and region. When the product is mounted on wall or ceiling, the device shall be firmly fixed.
- Do not use camera beyond specified voltage range.
- Do not drop the camera or subject it to physical shock.
- The product must be grounded to reduce the risk of electric shock.
- Avoid touching the camera lens.
- If cleaning is necessary, please use clean cloth to wipe it gently.
- Do not aim the camera at the sun or extra bright place.
- Do not place the camera in extremely hot, cold (the operating temperature shall be -30°C~60°C), dusty or damp locations, and do not expose it to high electromagnetic radiation.
- To avoid heat accumulation, good ventilation is required for operating environment.

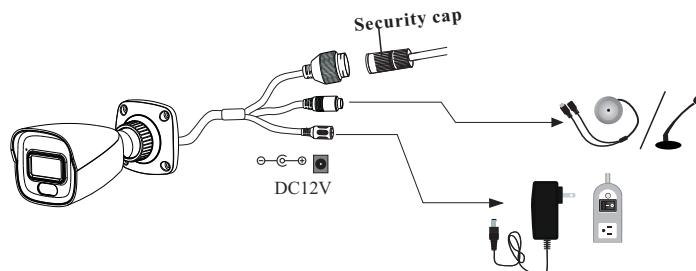
2 Package



3 Overview



- | | |
|----------------------|----------------------|
| 1 Fixed ring | 5 Power connector* |
| 2 Mounting base | 6 Micro SD card slot |
| 3 Network connector* | 7 Reset* |
| 4 Audio input | 8 Microphone |

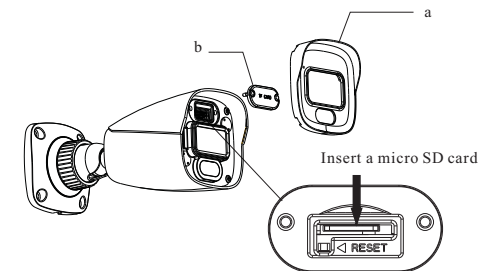


- * 1 It is recommended to install the security cap for outdoor installation.
- * 2 This series can be powered by DC 12V/PoE power supply. If the PoE switch is used to power the camera, DC12V power supply is not required.
- * 3 Press and hold the reset button for more than 10 seconds to restore to the factory default setting.

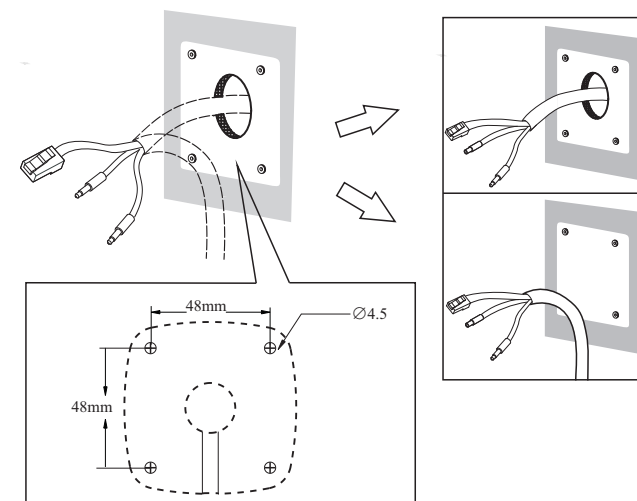
4 Installation

Please make sure that the wall or ceiling is strong enough to withstand 3 times the weight of the camera. Please install and use the camera in the dry environment.

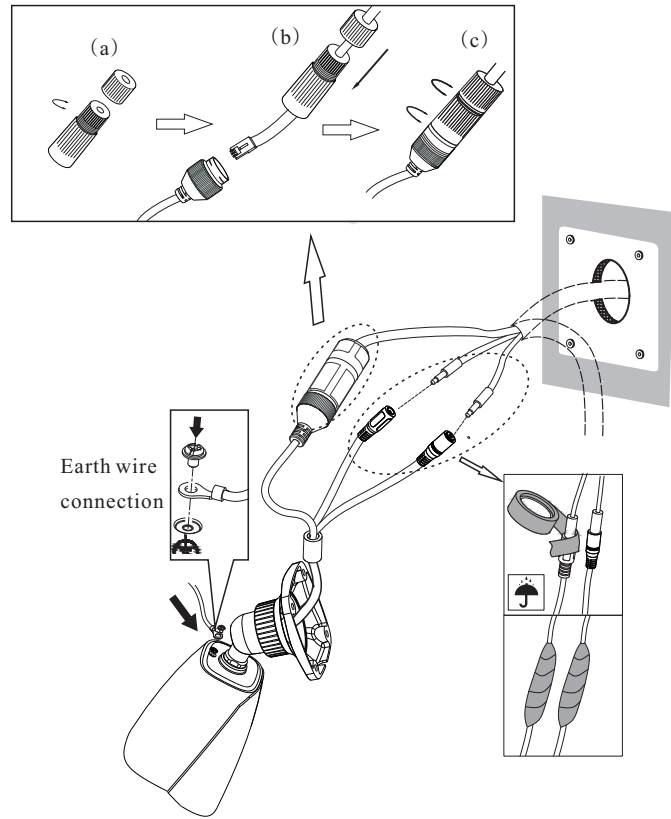
① Install a micro SD card. Remove the plastic cover (a) from the camera and then loosen the two screws of (b). Remove (b) and then insert a micro SD card. After that, install back (b) and (a).



② Attach the drill template to the place where you want to fix the camera and then drill the screw holes and the cable hole on the wall according to the drill template.



③ Route the cables and connect the relevant cables.

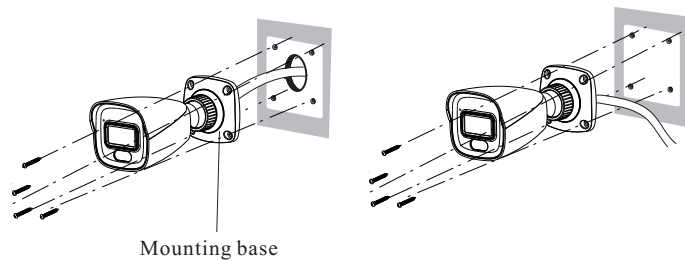


(a). Loosen the nut from the main element.

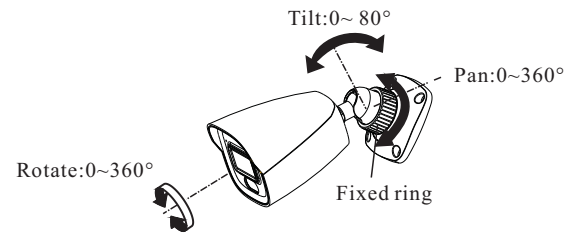
(b). Run the network cable (without RJ 45 connector) through the both elements. Then crimp the cable with RJ 45 connector.

(c). Connect the cable to the hermetic connector. Then tighten the nut and the main cover.

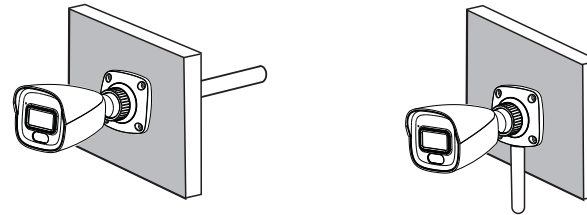
④ Fasten the mounting base to the wall with the screws provided.



⑤ Loosen the fixed ring to adjust the viewing angle of the camera. Before adjustment, view the image of the camera on a monitor.



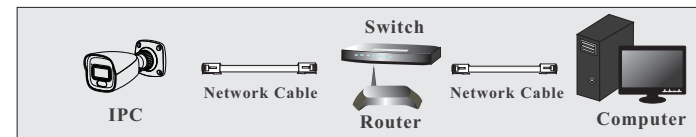
⑥ Tighten the fixed ring to finish the installation.



5 Network Connection

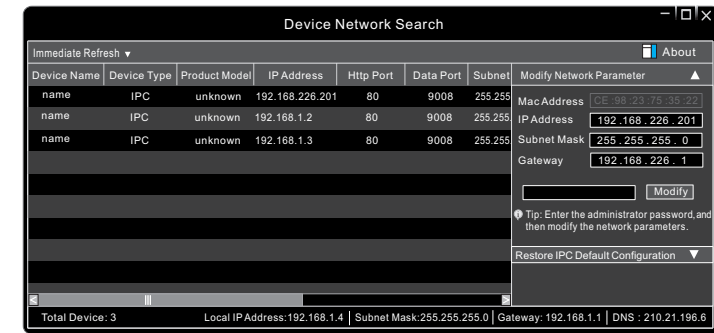
Here we take accessing IP camera via LAN for example.

● Access Through IP-Tool



① Make sure that the camera and the PC are well connected to the LAN.

② Find the IP-Tool from the CD and then install it in the computer. After that, run the IP-Tool as shown below.



③ Double-click the camera listed in the IP-Tool to open the web browser. The default IP address of this camera is **192.168.226.201**. **Note:** Please make sure the camera and the computer are in the same local network.

④ Read the privacy statement and then activate the device. The default username is **admin**. You need to self-define the password. Then set the security questions and answers. It is important for you to remember these answers, or you will not be able to reset your password.

⑤ Follow directions to download and install the plugin (if prompted).

Available Web Browser: IE(plug-in required) /Google Chrome/ Firefox/Safari/Edge

It is recommended to use the latest version of the above browsers.