

## Software Installation

Copy the mobile phone monitor software to the phone (Use PC synchronization software or network download function).

Click the software and then follow the steps one by one to install the software to the mobile phone.

## DVR Setup

Please set the connected DVR encode information to make the device suitable for the mobile phone monitor. You can go to the DVR Web or go to the DVR local end to complete the setup. In this user's manual, we introduce how to finish setup at the local end.

## Note

In case the mobile phone monitor adversely affects the regularly monitor, the mobile phone just gets the extra stream (not the main stream) to realize the real-time monitor. So, before the operation, please make sure current DVR supports dual stream function.

## Encode

You can refer to the following setup:

- Resolution: CIF/QCIF.
- Frame Rate: The value ranges from 5 to 10.
- Bit rate type: CBR
- Bit Rate: 64-256Kb/S

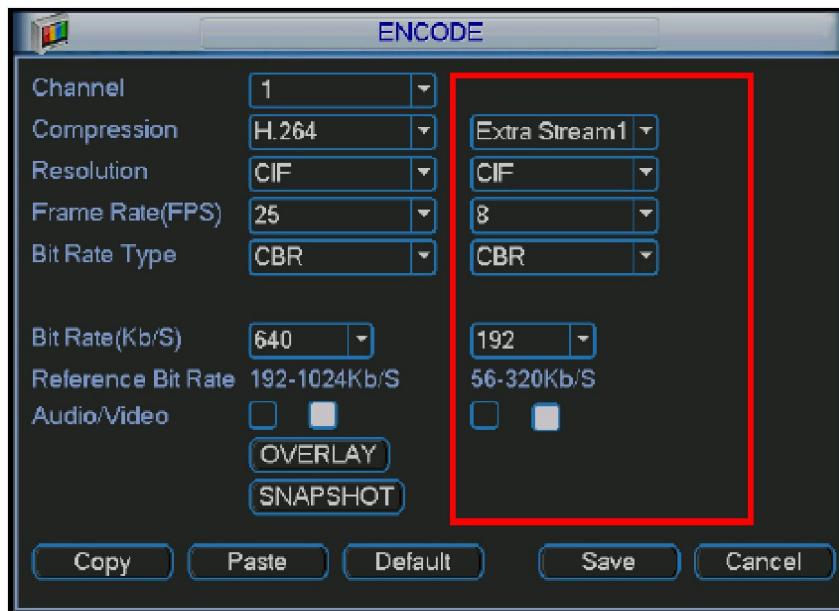


Figure 3-1

You can adjust the setup according to your mobile phone performance and network environment. You can lower the frame rate to guarantee fluent video if the network is not so good.

## Account

For mobile phone account, please make sure it is reusable (support multiple users using the same account to login at the same time) and has PTZ control right.

Then, when other users are monitored commonly, you can use a mobile phone to monitor and realize PTZ control operation.

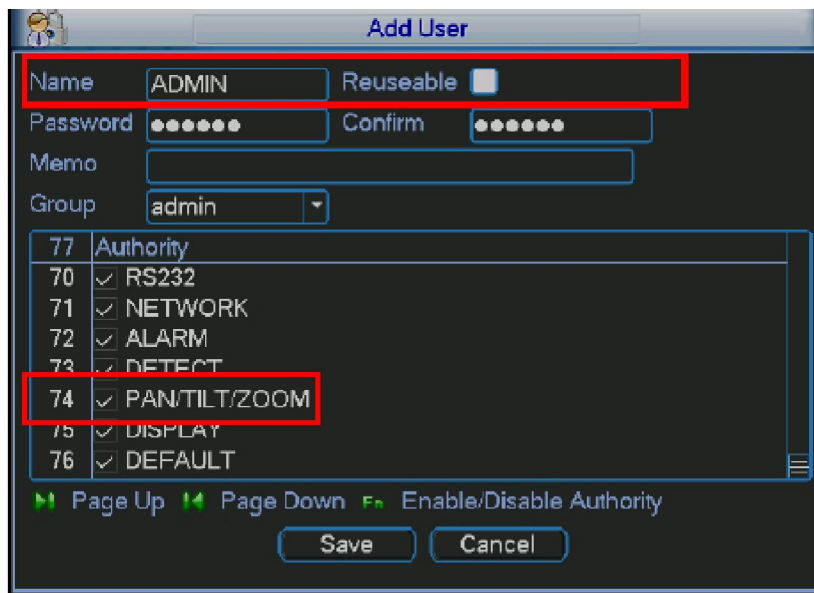


Figure 3-2

### Mobile Phone Software

In the mobile phone, from Start to the Program, you can see the software shortcut menu. Its icon is (DMSS). See Figure 3-3.



Figure 3-3

Click DMSS button, you can see an interface is shown as in Figure 3-4.

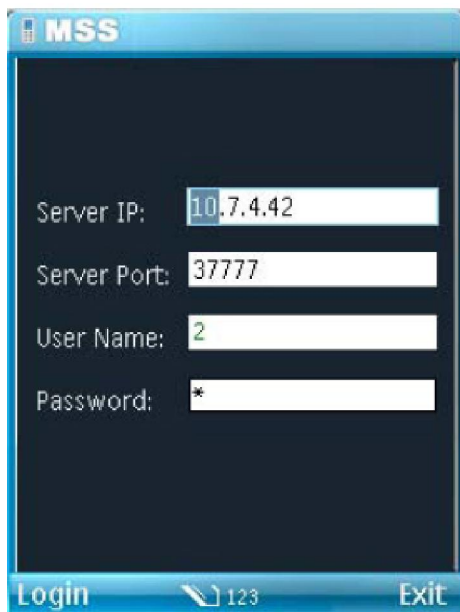


Figure 3-4

#### Software Login

In Figure 3-4, please input server IP, server port, user name and password. Click login button, you can see the following interface. See Figure 3-5.



Figure 3-5

Mobile phone monitor software can remember the recent login device information, so that you can login conveniently the next time.

If you can not login, please check:

- Input information is valid.
- Server is running properly now.
- Network connection is OK (please access a website via IE to make sure you have connected to the Internet.)

Video Browser

Please refer to the following figure for mobile phone information. See Figure 3-6.

Please refer to the following sheet for detail information.

SN	Name
1	headphones
2	Selection button
3	Dial a phone
4	Function menu
5	Number
6	Microphone
7	Navi™ button. (In the following chapter, we call it navigation button.)
8	Clear data button
9	End an active call.
10	Multiple media button
11	Light sensor
12	Snapshot/Camera

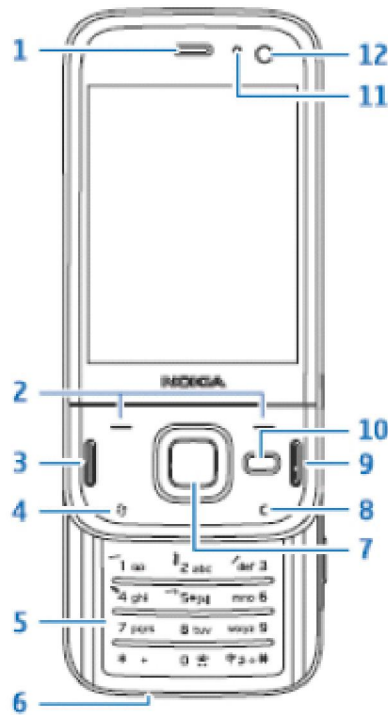


Figure 3-6

Please use the navigation button to select the channel first and then click the left button, you can see an interface is shown as in Figure 3-7.

If you want to switch to another channel, please use the navigation button to select the camera item, then click navigation button to go back to Figure 3-5.



Figure 3-7

#### PTZ Control

Use the navigation button to select the PTZ item and then click the navigation button; you can see the following interface. See Figure 3-8.

Use the navigation button to select the operation button you desire and then click the navigation button again; you can realize the corresponding function.

In the full-screen mode, you can use the navigation button directly to control the PTZ direction.



Figure 3-8

Exit

Click Right button, you can see the following interface. See Figure 3-9. Use the navigation button to select the Yes button; you can exit the mobile phone monitor software. Figure 3-9



Figure 3-9

#### Appendix Software Registration

Please follow the steps listed below to register the application program First, you need to get your cell phone ID. That is to say, you need to click \*#06# to get the IMEI (International Mobile Equipment Identity). The IMEI usually consists of a 15-digit number.

Then, please go to the following website

<https://www.symbiansigned.com/app/page/public/openSignedOnline.do>

You can see an interface is shown as in Figure 4-1.

Please input your cell phone IMEI and email. Then you can upload your software for registration.

- Test houses
- Symbian.org
- developers.symbian.org



## Open Signed Online

### Open Signed Online (BETA) Service Information

- Open Signed Online beta service has now moved to 24hour availability
- If we discover issues that impact the performance and/or functionality of the service. Such problems may result in the service being taken off-line at short notice for extended periods.
- Open Signed Online currently does not allow you to sign a SIS that is allocated to someone else and hasn't been enabled for Open Signing; i.e. if the email address you use for Open Signed Online MUST match the email address of the account which created a UID.
- Alternatively the service will allow signing of SIS files with UIDs in the Test Range; i.e. 0cE0000000...0cEFFFFFFF.
- If you attempt to sign the same SIS file in rapid succession, the service you receive will proportionally slow down. This is to prevent abuse of the service.
- Installation of the signed SIS file will be restricted to the IMEI (i.e. mobile phone) you entered and valid for 36 months.
- SIS files that have been Open Signed will present a notification upon installation that the SIS file is intended for development purposes only.
- The service will work for SIS files intended for all Symbian-based UIDs, i.e. S60 and UIQ.
- SIS files can be signed for all Platform Security Capabilities except CommDD, MultimediaDC, NetworkControl, DiskAdmin, DRM, WIFiles, TCB.

### Application information

IMEI

Email\*

Application\*



Please type in the security code seen in the picture below using only letters A-F and numbers 0-9\*

Figure 4-1

After you received the registration email, you can download the registration software. Finally, you can install the software to your cell phone and then use it.

**Note:**

Slight difference may be found in user interface. All the designs and software here are subject to change without prior written notice. Please visit our website for more information.