



Key Features

- Sony SuperHAD 1/3" CCD, 380 TVL
- 12 LEDs for 25ft (~8m) of infrared illumination
- 25ft (~8m) of active infrared night vision
- 3.7mm fixed lens
- Photocell-controlled infrared illumination
- Compact, water-resistant housing
- Plug and Play installation
- Wall, surface or ceiling mount
- Bracket and sunshield included as standard
- 12 VDC input
- Operational temperature -30°C to +55°C (-22°F to +131°F)
- Limited 1-year advance replacement guarantee included as standard

Product Description

The WZ14 provides reliable day and night surveillance in a compact, water resistant design that integrates 12 infrared LEDs for 25ft (~8m) of night vision. The WZ14 also comes standard with an advanced replacement guarantee that makes it the most cost-effective compact day-night camera for security dealers today.

Incorporating a Sony SuperHAD 1/3" CCD, the WZ14 delivers 380 TVL of color imaging during day and active-infrared monochrome at night.

The WZ14 uses 12 photocell-controlled infrared LEDs to deliver up to 25ft (~8m) of night vision for effective 24/7 performance. Photocell-controlled LEDs ensure accurate on/off switching and help increase energy efficiency.

The WZ14 includes a versatile mounting bracket suitable for walls, surfaces and ceilings, as well as a sunhood. Constructed of extruded aluminum, the WZ14 is compact and discreet, featuring an anodised silver finish.

For indoor environments, the WZ14 is a quick and easy Plug and Play solution for 24/7 day and night surveillance.

Product Image



Limited 1-Year Advance Replacement Guarantee

The WZ14 is a compact day-night camera that delivers 25ft (~8m) of night vision and comes with a standard limited 1-year advance replacement guarantee, making it the most cost-effective day-night compact camera available to security dealers today.

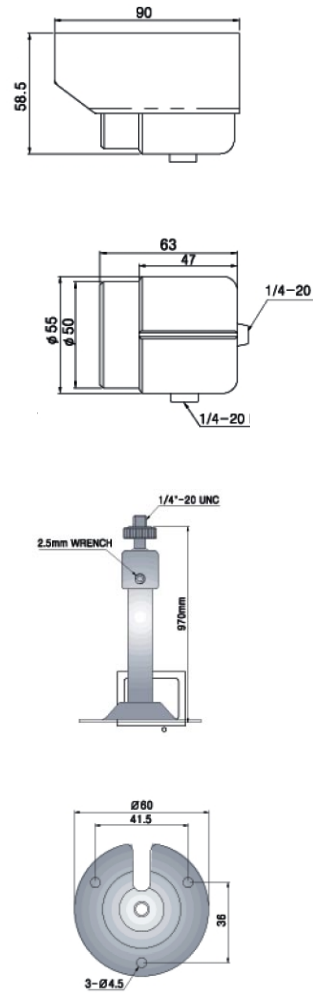
Applications

- Commercial
- Warehouses
- Offices
- Retail
- Schools
- Residential
- Casinos
- Restaurants
- Hotels and nightclubs
- Convenience stores
- Banks



Specifications

Part Number	WZ14-N4-0
CCD Image Sensor	1/3" SuperHAD CCD
Type	Color / monochrome, video level switching
Resolution	380 TVL
Effective Pixels	NTSC: 510 (H) x 492 (V) PAL: 500 (H) x 582 (V)
Night-Time Sensitivity	0 Lux (infrared on)
Electronics Iris	1/60 ~ 1/100,000 (NTSC) 1/50 ~ 1/100,000s (PAL)
Output Signal	1V P-P composite video, 75 Ohms
S/N Ratio	Greater than 48dB
Gamma	0.45
Lens	Fixed 3.7mm lens
LEDs	Infrared array, photocell-controlled
Wavelength	850nm
Number of LEDs	12
Voltage	12 VDC
Power Draw	250mA or less
Construction	Aluminum extrusion
Finish	Anodized silver
Operational Temperature	-30°C to +55°C -22°F to +131°F
Sunshield	Included as standard
Bracketry	Pan-tilt bracket included as standard
Power Supply	Not included
Weight	0.39kg 0.86lbs
Dimensions	Φ 58.5mm x 90mm (L) Φ 2.3" x 3.5" (L)



Part Numbers

WZ14-N4-0 Compact Day-Night™ Camera
1/3" SuperHAD CCD, 380TVL, color / bw,
3.7mm lens, 12 LEDs, 850nm, photocell,
anodized silver with pan-tilt bracket and
sunhood included.

Optional Accessories

EXPS.002 Power Supply, 120 VAC / 12 VDC, 500mA