

Weather-proof Day/Night



No more wires!

Wireless AV transmission, without limit of wire
Min. 100m transmission distance
300K total pixels color display

$\frac{1}{4}$ " CCD



Weather-proof Day/Night

• Both Video and Audio Monitoring

The product, which builds in 1/4" Sharp CCD image sensor and microphone, provides 300K pixels high quality display and high sensitive audio monitoring. With two features above, the product meets the demands of a wide range of applications. You can not only see but also hear what is happening.



• Night Vision

For Day&Night surveillance, the camera is built in 26 infra-red lights which provide min. 15m night vision range. The night vision function will turn on or off automatically when environment gets dark or bright.



• Water-proof

Alloyed shell and special weather-proof structure satisfy demands of more environments, outdoor usage in particular.



• 4 Channels Available



• Multi-camera usage

You could watch the situation from up to 4 different camera via one receiver by changing channel manually or scanning channel automatically. In channel scan mode, all channels will display one by one looping in turn per 5 second.

• Avoid interference

The product works at ISM-2.4GHz. When it is interfered by other wireless equipment at the same band. You could change the operation channel to avoid interference.

• Flexible Installation

With the universal bracket and mounting plate in package, you can mount the camera in wall or ceiling. Also you can embed the main body of camera directly in door, wall, or some other place for discreet observation.

• 100m Transmission Distance

The product achieves at least 100 metre transmission distance without block. According to the essential principle of electromagnetic wave, actual transmission distance may reduce by through the barriers such as wall, floor, and ceiling, etc.

• Accessories



A/V Cable×1



Channel Pick×1



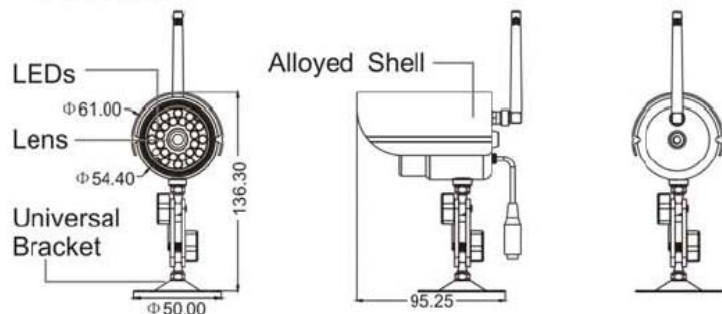
Adapter×2

※ Photographs for illustration only, Factual products may vary according to availability.

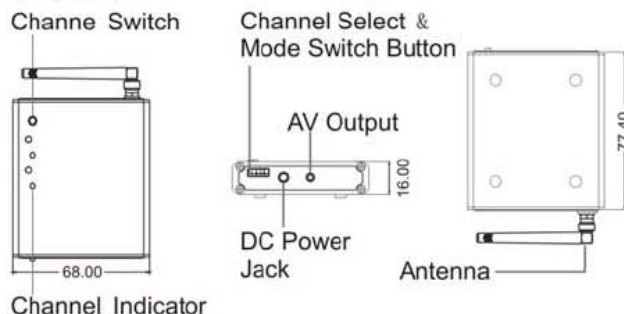
Weather-proof Day/Night

• Feature Locations

1. Camera



2. Receiver



• Specifications

Items		Value
Transmission Frequency		ISM 2,400MHz~ 2,483MHz 4CH*
Modulation Type		FM
Antenna Type		Omni
Transmission Distance		100m (Without Block)
Operating Temperature		-10°C~+50°C /+14°F~+122°F
Storage Temperature		-20°C~+60°C /-4°F~+140°F
Operating Humidity		85%RH
Camera	Imaging Sensor	1/4" CCD
	CMOS Total Pixels	512×582(PAL) ; 512×492(NTSC)
	CMOS Total Pixels	512×582(PAL) ; 512×492(NTSC)
	Horizontal Resolution	420 TV Lines
	View Angle	39°
	Minimum Illumination	1.0 Lux / F2.0 & 0 Lux(IR ON)
	Transmission Power	10mW / CE; 2mW / FCC
	Power Supply	DC 12V 500mA
	Consumption Current	120 mA & 270mA(IR ON)
	Dimensions (Dia.xD)	$\Phi 61\text{mm} \times 96\text{mm}$ (Main Body)
Weight	350g	
	Night Vision Range	15m
Receiver	Receiving Sensitivity	-85dBm
	Antenna Port	50ohm SMA
	Power Supply	DC 8V 200mA
	Consumption Current	180mA
	Video Output Level	1V _{p-p} @75ohm
	Audio Output Level	1V _{p-p} @600ohm
	Dimensions (WxDxH)	78mm×68mm×16mm
	Weight	200g

* Channel Frequency: CH1=2414MHz;CH2=2432MHz;CH3=2450MHz;CH4=2468MHz

* Specifications are subject to minor change without prior notice.