

# Keyswitch Access Devices

Patent #: 6689972

## 650 Series Keyswitches

**Magnetic Spring Design**  
provides ultimate  
installation flexibility



**653 Single Gang**

**Available in**  
six architectural finishes

**5AMP@250VAC,**  
dual voltage,  
SPDT contacts



**653-NS Narrow Stile**

Schlage Locknetics 650 Series Keyswitches utilize an innovative magnetic spring design which allows installers to configure both clockwise and counterclockwise key turn direction as well as momentary or maintained action in seconds. Single gang and narrow stiles are available with numerous options which include: Heavy Duty Plate, Weather Resistant Cover (single gang size only), 2 LED lights - green/red, Anti-Tamper Switch and Schlage

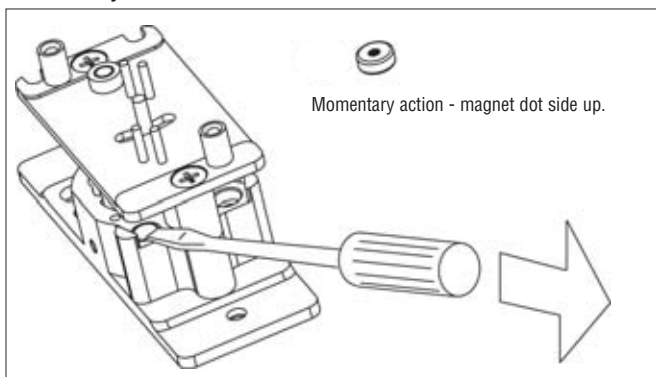
Everest Cylinder. In addition to the standard (626) Satin Chrome finish, there are five additional architectural finishes to choose from.

### Benefits of Using Locknetics Keyswitch Access Devices

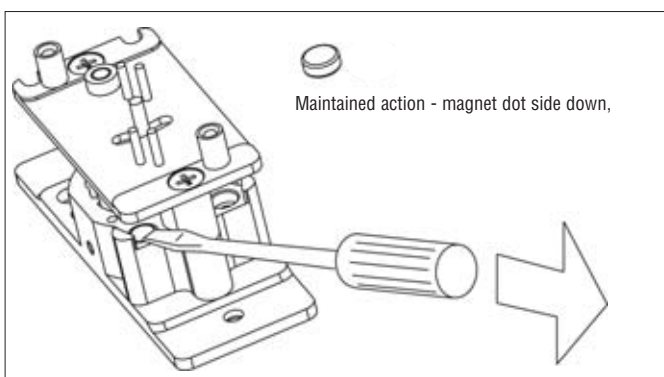
- *Easy to install and maintain*
- *Single gang and narrow stile offer ultimate flexibility*
- *Multiple options available for a wide variety of applications*

**Innovative magnetic spring technology allows installers to configure models in seconds**

#### Momentary Action



#### Maintained Action



# Keyswitch Access Devices

## 650 Series Keyswitches

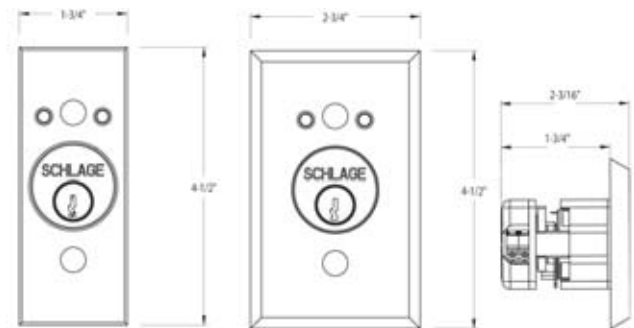
### How To Order 650 Series Keyswitches

#### 653-04 – ATS – SF-605

Select Model	
Select Option	
Select Finish	

### 1. Select Model

- 653-04** SPDT maintained single direction
- 653-05** SPDT momentary single direction
- 653-14** DPDT maintained single direction
- 653-15** DPDT momentary single direction
- 653-1414** (2) DPDT maintained bi-direction
- 653-1415** DPDT maintained x DPDT momentary
- 653-1515** (2) DPDT momentary bi-direction
- 653-041** SPDT maintained x key remove one position
- 653-0404** (2) SPDT maintained bi-direction
- 653-0405** SPDT maintained x SPDT momentary
- 653-141** DPDT maintained x key remove one position
- 653-0505** (2) SPDT momentary bi-direction



653-NS Narrow Stile

653 Single Gang

### 2. Select Option

- L2** 2 LEDs green and red, dual voltage
- NS** Narrow Stile - stainless steel plate (1<sup>3</sup>/<sub>4</sub>" x 4<sup>1</sup>/<sub>2</sub>" )
- ATS** Anti-Tamper Switch
- HDP** Heavy Duty Plate 1/4" thick cast zinc (standard 626 Satin Chrome Finish with anti tamper plugs)
- WP** Weather Resistant Cover fits 1<sup>1</sup>/<sub>8</sub>" cylinder only (not available with NS and L2 Options)
- CYL** 1-1/4" Schlage Everest® Mortise Cylinder & 1/8" spacer ring (keyed different)
- CYL-KA** 1-1/4" Schlage Everest Mortise Cylinder & 1/8" spacer ring (keyed alike)

*Note: 650 Series Keyswitches operate with either a 1-1/8" or 1-1/4" cylinder having a straight type cam. 1-1/4" cylinders require a 1/8" blocking/spacer ring (included with the CYL and CYL-KA options).*

### 3. Select Finish

- SF-626** Satin Chrome (*standard*)
- SF-605** Bright Brass
- SF-612** Satin Bronze
- SF-613** Oil Satin Bronze
- SF-625** Bright Chrome
- SF-2** Black Powder Coat

### Specifications:

- Standard keyswitch**
- 5 amp@250 VAC,
- dual voltage,
- SPDT contacts
- ATS** switch closes when cover is on 0.025A@28VDC
- LED** Indicator Lights operate at 12/24 VDC 0.025A@28VDC