

# PMCL Series Mounts

## RACK/CEILING/WALL MOUNTS, UNIVERSAL CAMERA MOUNT, MONITORS

### Product Features

- For Use with VESA®-Compliant Monitors
- Rack Mounts for All 200/300/400 Series LCD Monitors
- VESA-Compliant Wall and Ceiling Mounts
- Can Be Used with Pelco Series LCD Monitors
- Single or Dual Swing-Arm Wall Mount
- Universal Camera Mount for Public View Applications
- Unique Tilt/Swivel Head Design Ensures Optimum Viewing Angle
- Easy to Install
- Aluminum Construction
- For Indoor Applications Only



PMCL-WM2A MOUNT AND PMCL SERIES MONITOR

Pelco's family of monitor mounts has been designed for use with any VESA®-compliant monitors. Mounts for the **PMCL 200/300/400/500 Series** monitors include several wall and ceiling mounts. Three rack mounts and a camera mount are available for 200/300/400 Series monitors. Many of the mounts feature a unique tilt/swivel capability allowing an LCD monitor to be swiveled 360 degrees for portrait or landscape viewing, and tilted 35 degrees up or down. This tilt/swivel quality ensures the proper viewing angle in any application. Made from heavy-duty aluminum, these mounts are designed to support up to 90 lbs in any indoor installation.

The **PMCL-WMT** is a two-piece wall mount. One piece attaches to the rear of any monitor, and the other piece fastens to a wall. The monitor then slides into the V-shaped piece on the wall, making installation quick and easy. A setscrew secures the two sections together. The **PMCL-WMT** is equipped with tilt/swivel capabilities.

The **PMCL-WM1A** and the **PMCL-WM2A** are tilt/swivel wall mounts equipped with convenient swing arms. The **PMCL-WM1A** is a single-arm wall mount, while the **PMCL-WM2A** is a dual-arm wall mount that can be folded flush against a wall.

The tilt/swivel **PMCL-CMP** allows an LCD monitor to be mounted from the ceiling. It is equipped with an adjustable 15- to 30-inch (38 to 76 cm) telescoping pole. The **PMCL-CM** is a similar ceiling mount that does not include a pole. This mount allows a customer to purchase any length of 1.5-inch NPT threaded pipe for use in applications with higher ceilings. Both of these ceiling mounts can also be used with Pelco's MRCA ceiling mount.

The **PMCL-V200** is an adapter plate that attaches to any of the PMCL wall or ceiling mounts. This adapter plate allows the mounts to be used with larger format monitors, such as Pelco's PMCL532 monitor. It accommodates monitors with 200 x 200 mm and 200 x 100 mm hole patterns.

The **PMCL-VA** is an adapter plate that attaches to the PMCL ceiling mounts, and makes mounting Pelco's 37-inch PMCL537 and 42-inch PMCL542 LCD monitors VESA compliant.

There are three rack mount kits for installing monitors in standard 19-inch (48 cm) equipment racks: the **PMCL-RM15**, **PMCL-RM17**, and **PMCL-RM19**, which accommodate 15-inch (38 cm), 17-inch (43 cm), and 19-inch (48 cm) monitors. These mounts allow the monitor to tilt up or down for optimum viewing.

The **CM1750-PVM** can be used in applications where a camera needs to be mounted to the top or bottom of the 200, 300, and 400 Series LCD monitors. This universal camera mount has an easily adjustable swivel head for camera positioning.



# TECHNICAL SPECIFICATIONS

Model	Type	Compatible Monitors												
		PMCL217	PMCL219	PMCL315	PMCL317	PMCL319	PMCL415	PMCL417	PMCL419	PMCL523A	PMCL526A	PMCL532A	PMCL537A	PMCL542A
PMCL-WMT	Tilt/Swivel Wall Mount	•	•	•	•	•	•	•	•	•	•	•*		
PMCL-CM	Ceiling Mount	•	•	•	•	•	•	•	•	•	•	•*	•†	•†
PMCL-CMP	Ceiling Mount w/Pole	•	•	•	•	•	•	•	•	•	•	•*	•†	•†
PMCL-WM1A	Single-arm Wall Mount	•	•	•	•	•	•	•	•	•	•	•*		
PMCL-WM2A	Dual-arm Wall Mount	•	•	•	•	•	•	•	•	•	•	•*		
PMCL-RM15	Rack Mount, 15" Monitor			•				•						
PMCL-RM17	Rack Mount, 17" Monitor	•			•				•					
PMCL-RM19	Rack Mount, 19" Monitor		•			•			•					

\*Requires PMCL-V200 adapter (not included with monitor).

†Requires PMCL-VA adapter (not included with monitor).

## WALL MOUNTS

### MODEL

PMCL-WMT	Tilt/swivel wall mount
PMCL-WM1A	Tilt/swivel single-arm wall mount
PMCL-WM2A	Tilt/swivel dual-arm wall mount

### MECHANICAL

Swivel Adjustment	360°
Tilt Adjustment	35°

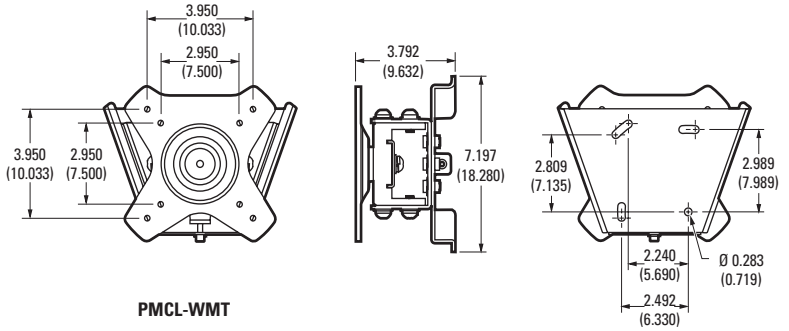
### GENERAL (ALL MODELS)

Suggested Mounting Method	Mounting hardware is not supplied.	
PMCL-WMT	Secure to solid surface with four 1/4-inch diameter x 2-inch wedge anchors. In applications where wall studs are encountered, use four 1/4-inch diameter x 2-inch lag bolts or two lag bolts and two 1/4-inch diameter x 2-inch toggle bolts.	
PMCL-WM1A, PMCL-WM2A	Secure to solid surface with three 5/16-inch diameter x 2-inch wedge anchors or use three 5/16-inch diameter x 2-inch lag bolts in applications where wall studs are encountered.	
Maximum Load Construction	90 lb (40.82 kg) Aluminum	
Finish	Black polyester powder coat	
Weight	Unit	Shipping
PMCL-WMT	3.05 lb (1.38 kg)	6 lb (2.72 kg)
PMCL-WM1A	3.55 lb (1.61 kg)	6 lb (2.72 kg)
PMCL-WM2A	4.00 lb (1.81 kg)	7 lb (3.18 kg)

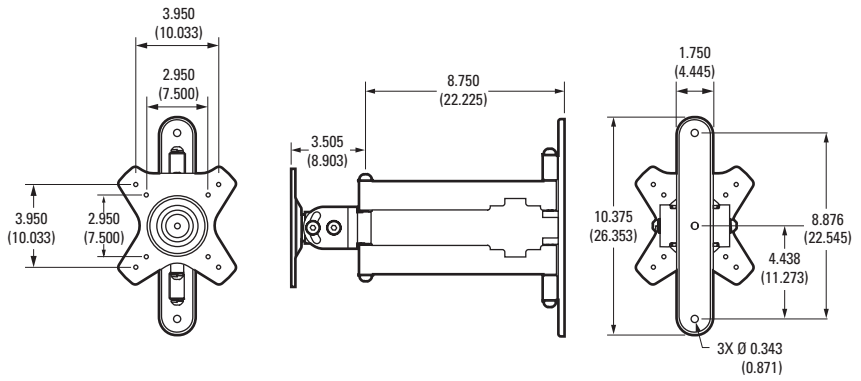
### CERTIFICATIONS

- UL/cUL Listed

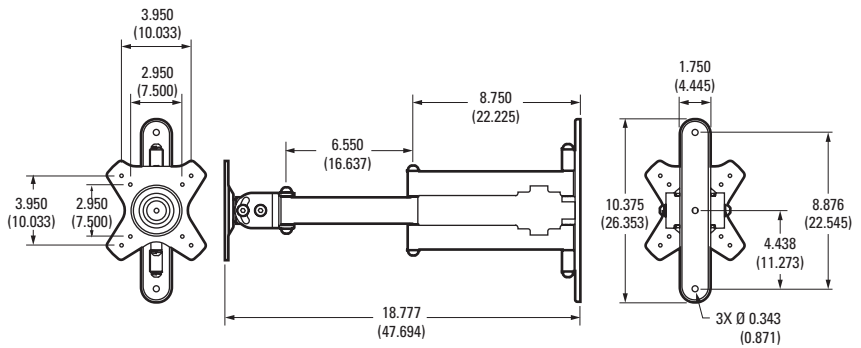
# TECHNICAL SPECIFICATIONS



**PMCL-WMT**



**PMCL-WM1A**



**PMCL-WM2A**

NOTE: VALUES IN PARENTHESES ARE CENTIMETERS; ALL OTHERS ARE INCHES.

# TECHNICAL SPECIFICATIONS

## CEILING MOUNTS

### MODELS

PMCL-CM	Ceiling mount and VESA head for LCD monitors
PMCL-CMP	Ceiling mount and VESA head with telescoping pole for LCD monitors

### MECHANICAL

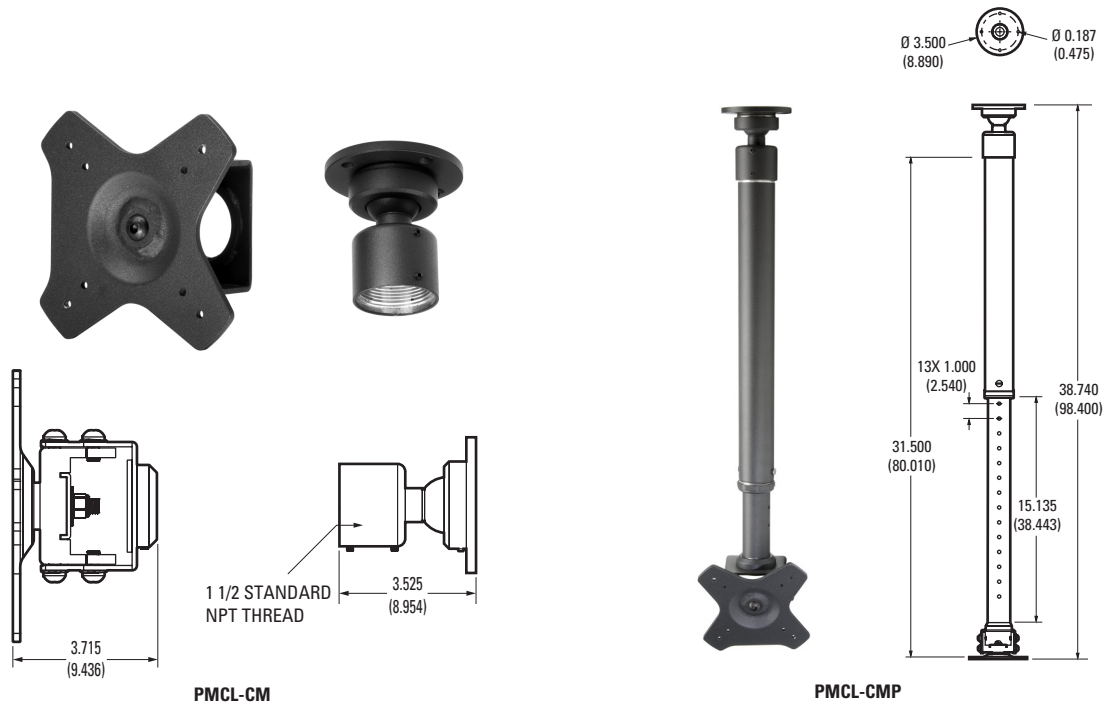
Swivel Adjustment	360°
Tilt Adjustment	90°

### GENERAL

Suggested Mounting Method	
Wood Beam	2, 1/4 x 2-inch wood screws (not supplied)
Metal I-Beam	4, 1/4-20 x 1-inch machine screws (not supplied)
Concrete	4, 1/4 x 1.75-inch concrete wedge anchors (not supplied)
Maximum Load	90 lb (40.82 kg)
Construction	Aluminum
Finish	Black polyester powder coat
Unit Weight	
PMCL-CM	2.70 lb (1.22 kg)
PMCL-CMP	5.05 lb (2.29 kg)
Shipping Weight	
PMCL-CM	5 lb (2.27 kg)
PMCL-CMP	8 lb (3.63 kg)

### CERTIFICATIONS

- UL/cUL Listed



NOTE: VALUES IN PARENTHESES ARE CENTIMETERS; ALL OTHER VALUES ARE INCHES.

# TECHNICAL SPECIFICATIONS

## ADAPTERS

### MODELS

**PMCL-V200** Converts 200 x 200 mm to 100 x 100 mm VESA pattern. (Required for use with the PMCL532A and Pelco monitor mounts with 200 x 200 VESA pattern.)

**PMCL-VA** Adapter plate for use in ceiling mounting PMCL537A and PMCL542A monitors

### GENERAL

Suggested

Mounting Method

**PMCL-V200** Secure to PMCL mount using 10-32 x 0.75-inch Phillips screws (supplied)

**PMCL-VA** Secure to PMCL mount using M6 X 12 machine screws (supplied)

Construction

**PMCL-V200** Aluminum

**PMCL-VA** Steel

Finish

Black polyester powder coat

Unit Weight

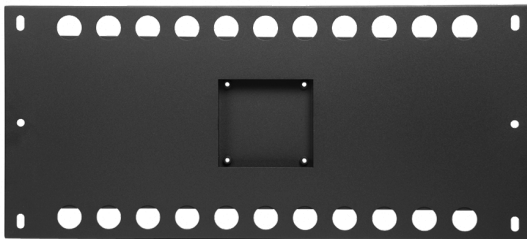
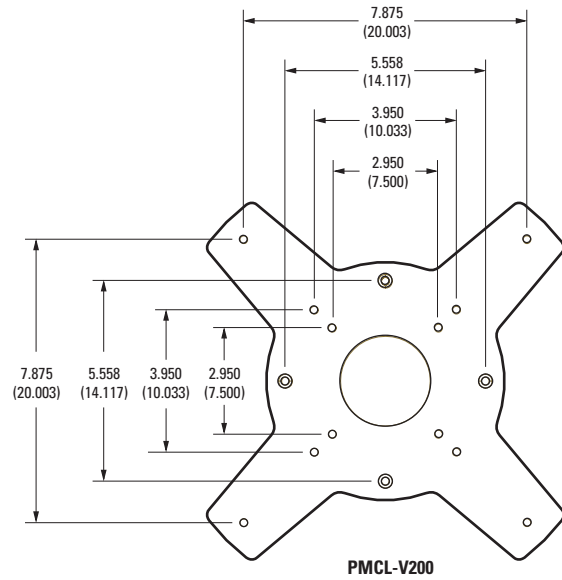
**PMCL-V200** 1.0 lb (0.45 kg)

**PMCL-VA** 9.2 lb (4.17 kg)

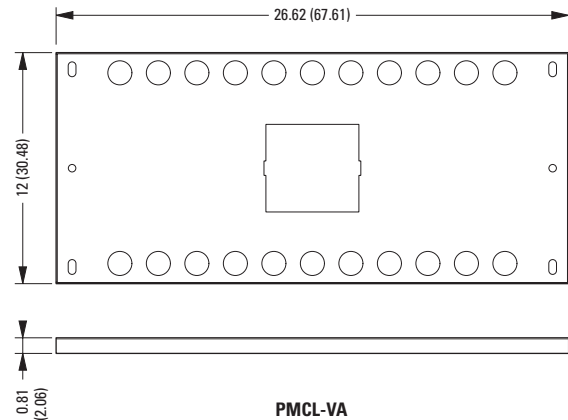
Shipping Weight

**PMCL-V200** 3 lb (1.36 kg)

**PMCL-VA** 11 lb (4.98 kg)



**PMCL-VA**



NOTE: VALUES IN PARENTHESES ARE CENTIMETERS; ALL OTHER VALUES ARE INCHES.

## RACK MOUNTS

### MODELS

PMCL-RM15	Kit for mounting a 15-inch (38 cm) monitor in a 19-inch (48 cm) equipment rack
PMCL-RM17	Kit for mounting a 17-inch (43 cm) monitor in a 19-inch (48 cm) equipment rack
PMCL-RM19	Kit for mounting a 19-inch (48 cm) monitor in a 19-inch (48 cm) equipment rack

### GENERAL

Construction	Aluminum
Finish	Black polyester powder coat

#### Dimensions

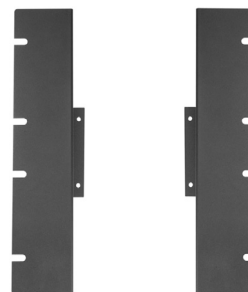
PMCL-RM15	12.25" L (31.12 cm) 7 RUs
PMCL-RM17	14.00" L (35.56 cm) 8 RUs
PMCL-RM19	15.72" L (39.93 cm) 9 RUs

#### Unit Weight

PMCL-RM15	2.50 lb (1.13 kg)
PMCL-RM17	2.45 lb (1.11 kg)
PMCL-RM19	2.15 lb (0.98 kg)

#### Shipping Weight

PMCL-RM15	4 lb (1.81 kg)
PMCL-RM17	3 lb (1.36 kg)
PMCL-RM19	3 lb (1.36 kg)



PMCL-RM15

## CAMERA MOUNT

### MODEL

CM1750-PVM	Camera mount for 200/300/400 Series LCD monitors
------------	--

### MECHANICAL

Pan Adjustment	360°
Tilt Adjustment	90°
Locking Method	Setscrew secures swivel assembly
Camera Mounting	1/4-20 threaded stud and nut

### GENERAL

Mounting Method	1/4-20 stud
Maximum Load	7 lb (3.18 kg)
Construction	Aluminum
Finish	Gray polyester powder coat with black swivel assembly
Dimensions	3.61" L x Ø 1.00" (9.17 x 2.54 cm)
Unit Weight	0.25 lb (0.11 kg)
Shipping Weight	1 lb (0.45 kg)



CM1750-PVM



#### Pelco, Inc. Worldwide Headquarters:

3500 Pelco Way, Clovis, California 93612-5699 USA  
**USA & Canada** Tel: (800) 289-9100 • FAX (800) 289-9150  
**International** Tel: (559) 292-1981 • FAX (559) 348-1120  
[www.pelco.com](http://www.pelco.com)

Pelco and the Pelco logo are registered trademarks of Pelco, Inc.  
VESA is a registered trademark of the Video Electronics Standards Association.  
Product specifications and availability are subject to change without notice.  
©Copyright 2008, Pelco, Inc. All rights reserved.