

# HS1500 Enclosure

## HIGH SECURITY, INDOOR, CORNER MOUNT

### Product Features

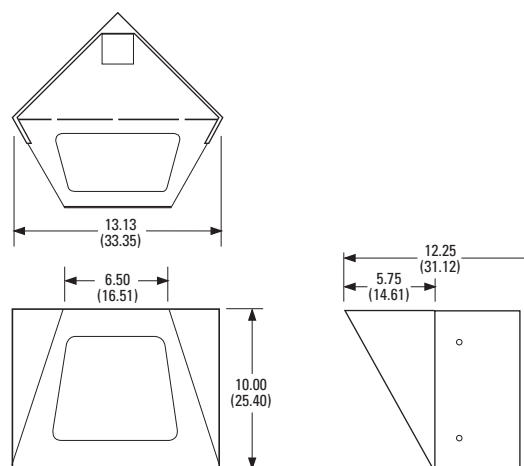
- Vandal Resistant
- Indoor, Corner Mount Applications
- All-Steel Construction
- No Exposed Mounting Hardware
- Tamper Switch Standard Feature



The **HS1500** high security enclosure is designed for applications such as elevators, parking garages, classrooms, detention cells, etc., requiring maximum protection from vandalism. Designed to fit flush to the ceiling in a corner, an optional hood (HS1500H) is available to allow the enclosure to be mounted lower on the wall without compromising security. An impact-resistant clear Lexan® window is a standard feature.

The **HS1500** is constructed of heavy gauge steel and will accept most CCD cameras with fixed focal length and varifocal lenses.

There is no exposed mounting hardware securing the enclosure to its mounting surface. Opening the enclosure can be accomplished only by removing the tamper-resistant screw from the bottom with the specially designed tool provided, eliminating the possibility of the enclosure being opened by unauthorized personnel. A factory-installed tamper switch is mounted on the secured access cover.



NOTE: VALUES IN PARENTHESES ARE CENTIMETERS; ALL OTHERS ARE INCHES.



# TECHNICAL SPECIFICATIONS

## MODEL

HS1500 High security corner mount enclosure of medium size; designed to fit flush with the ceiling

## MECHANICAL

Camera Mounting	Adjustable tilt table
Maximum Camera and Lens Size	Accepts camera and lens combinations* (including BNC connector) up to: 4.0" H x 4.0" W x 8.0" L (10.16 x 10.16 x 20.32 cm)
Enclosure Mounting	Four 0.390-inch (0.99 cm) diameter holes on protected rear surface
Cable Entry	Access through back and top
Security	Tamper-resistant screw (hollow Allen wrench supplied)
Tamper Switch	Plunger type door switch with "pull-to-cheat" feature. DM electrical rating 10A, 125 VAC. N.O./N.C. switch contact

\*Assumes lens is fully extended.

## ELECTRICAL

Tamper Switch	0.25-inch (0.63 cm) quick connect N.O./N.C. 10A maximum switching current 125 VAC maximum switching voltage
---------------	-------------------------------------------------------------------------------------------------------------------

## GENERAL

Window	0.50-inch (12.7 mm) thick Lexan®
Construction	0.134-inch (3.40 mm) formed, 10-gauge steel
Finish	Gray polyester powder coat
Environment	Indoor; 32° to 120°F (0° to 49°C)
Unit Weight	17.37 lb (7.88 kg)
Shipping Weight	20 lb (9.06 kg)

## CERTIFICATIONS/RATINGS

- UL Listed
- Meets NEMA Type 1 standards

## OPTIONAL ACCESSORIES

<b>Heater-Blower Kit</b>	HB1524	24 VAC, 85 watt, heater-blower kit for HS1500 only. Heater activates on at 40°F (4°C) and off at 60°F (15°C) Blower provides continuous internal air circulation
<b>Other</b>	HS1500H	Hood for mid-wall mounting of HS1500



**Pelco, Inc. Worldwide Headquarters:**  
3500 Pelco Way, Clovis, California 93612-5699 USA  
**USA & Canada** Tel: (800) 289-9100 • FAX: (800) 289-9150  
**International** Tel: +1 (559) 292-1981 • FAX: +1 (559) 348-1120  
[www.pelco.com](http://www.pelco.com)

Pelco and the Pelco logo are registered trademarks of Pelco, Inc.  
Lexan is a registered trademark of the General Electric Company.  
Product specifications and availability subject to change without notice.  
©Copyright 2007, Pelco, Inc. All rights reserved.