



EH4700 Series Enclosure

OUTDOOR, MEDIUM

Product Features

- Designed for Indoor/Outdoor Applications; For Use with Fixed Mount or Pan/Tilt
- Die-Cast and Extruded Aluminum Construction
- Gas-Spring-Assisted Forward-Opening Lid
- Cable Entry Glands and Mounting Holes Located on Bottom of Enclosure
- Special Options Include 120 VAC Outlet and Preset Lens Wiring Harness



EH4718



ENCLOSURE WITH SUN SHROUD

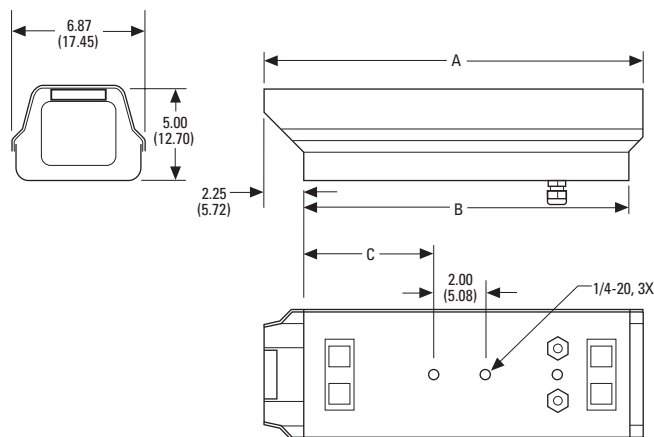
The **EH4700 Series** are indoor/outdoor enclosures constructed from die cast and extruded aluminum. They are available in 18-inch (45.72 cm) (**EH4718**) or 22-inch (55.88 cm) (**EH4722**) lengths.

The **EH4700 Series** is designed to accept larger format cameras with either fixed focal length lenses or motorized zoom lenses. The camera sled is removable and can be inverted to accommodate various camera and lens combinations.

The enclosure opens from the rear by unlatching the rear-mount, link-lock latch. The forward-opening lid allows for maximum accessibility during installation/servicing and can be removed, if necessary. A unique gas spring securely holds the lid when fully opened. If desired, the link-lock latch can be secured with a padlock of suitable size for additional security.

The **EH4700 Series** is available with a full complement of factory- and field-installed accessories which include blower, heater, window defroster, sun shroud, thermal insulation, 120 VAC electrical outlet, and preset position lens wiring harness.

The **EH4700 Series** can be used in fixed mount applications or mounted to a medium duty pan/tilt, such as our PT570 Series.



| | DIM. | MODEL |
|---|--------------|--------|
| A | 21.2 (53.84) | EH4718 |
| | 25.2 (64.00) | EH4722 |
| B | 18.3 (46.48) | EH4718 |
| | 22.3 (56.64) | EH4722 |
| C | 7.00 (17.78) | EH4718 |
| | 9.00 (22.86) | EH4722 |

NOTE: VALUES IN PARENTHESES ARE CENTIMETERS; ALL OTHERS ARE INCHES.



TECHNICAL SPECIFICATIONS

MODELS

| Model Number | Basic Enclosure | 120 VAC | 24 VAC | 230 VAC | Heater | Defroster | Blower | Max. Power Consumption* |
|--------------|-----------------|---------|--------|---------|--------|-----------|--------|-------------------------|
| EH4718 | • | | | | | | | |
| EH4718-1 | | • | | | • | | • | 68W |
| EH4718-2 | | | • | | • | | • | 58W |
| EH4718-3 | | | | • | • | | • | 63W |
| EH4722 | • | | | | | | | |
| EH4722-1 | | • | | | • | | • | 68W |
| EH4722-2 | | | • | | • | | • | 58W |
| EH4722-3 | | | | • | • | | • | 63W |

*If optional defroster is used, add 15W to consumption.

MECHANICAL

| | |
|-------------------|---|
| Cable Entry | Two PG13.5 compression glands on bottom; 0.47-inch (1.19 cm) maximum cable diameter |
| Cable Entry Holes | 0.875-inch (2.22 cm) diameter; will accept 0.5-inch (1.27 cm) conduit fitting when compression gland is removed |
| Camera Mounting | Removable camera sled; can be inverted |
| Rear Latch | Link-lock, No. 3, stainless steel; can be secured with padlock (not supplied) |

ELECTRICAL

| | |
|-------------------------------|--|
| Input Voltage | 24 VAC, 120 VAC or 230 VAC, 50/60Hz. |
| Electrical Connection | Connectors for power input, lens, camera, and accessories (-1/-2/-3 models only). |
| <i>(-1/-2/-3 models only)</i> | Heater/defroster activates on at 42-58°F (6-14°C) and off at 72-88°F (22-31°C). Blower activates on at 77-93°F (25-34°C) and off at 62-78°F (17-26°C). |

GENERAL

| | |
|------------------------------|--|
| Maximum Camera and Lens Size | Accepts camera and lens combinations* (including BNC connector) up to: |
| EH4718 | 17.0" L x 5.5" W x 4.25" H (43.18 x 13.97 x 10.795 cm) |
| EH4718-1/-2/-3 | 13.0" L x 4.75" W x 4.25" H (33.02 x 12.07 x 10.795 cm) |
| EH4722 | 21.0" L x 5.5" W x 4.25" H (53.34 x 13.97 x 10.795 cm) |
| EH4722-1/-2/-3 | 17.0" L x 4.75" W x 4.25" H (43.18 x 12.07 x 10.795 cm) |
| Viewing Window | 0.25-inch (6.35 mm) thick Lexan® |
| Viewing Window Area | 3.50" H x 4.00" W (8.89 x 10.16 cm) |
| Construction | Die-cast, extruded, and sheet aluminum |
| Finish | Gray polyester powder coat |
| Environment | Indoor/outdoor; -10° to 120°F (-23° to 49°C) |
| Weight | <u>Unit</u> <u>Shipping</u> |
| EH4718 | 7.25 lb (3.28 kg) 9 lb (4.07 kg) |
| EH4718-1/-2/-3 | 8.5 lb (3.85 kg) 10 lb (4.53 kg) |
| EH4722 | 8.5 lb (3.85 kg) 10 lb (4.53 kg) |
| EH4722-1/-2/-3 | 9.75 lb (4.42 kg) 12 lb (5.44 kg) |

*Assumes lens is fully extended.

CERTIFICATIONS/RATINGS

- CE compliant (models EH4718/-2/-3 and EH4722/-2/-3 only)
- UL Listed (except 230 VAC models)
- Meets NEMA Type 3R standards

OPTIONAL ACCESSORIES

| | | |
|-------------------|-------------|---|
| Blower Kit | BK47-1* | 120 VAC, 8W |
| | BK47-2* | 24 VAC, 8W |
| | BK47-3* | 230 VAC, 8W |
| Heater Kit | HK47-1* | 120 VAC, 60W |
| | HK47-2* | 24 VAC, 50W |
| | HK47-3* | 230 VAC, 55W |
| Defroster | WD47-1* | Window defroster, 120 VAC, 15W |
| | WD47-2* | Window defroster, 24 VAC, 15W |
| | WD47-3* | Window defroster, 230 VAC, 15W |
| Sun Shroud | SS4718 | Sun shroud for EH4718 series enclosures |
| | SS4722 | Sun shroud for EH4722 series enclosures |
| Other | O/I-PCB | Accessory interface board; thermostatically controls heater, blower, and defroster operation (one per enclosure required) |
| | O/I-LPP* | Preset position lens wiring harness |
| | O/I-OUTLET* | 120 VAC electrical convenience outlet |
| | TI47 | Thermal insulation |

*These accessories are factory wired with a plug-in connector for use with the O/I-PCB. The O/I-PCB is included with all -1/-2/-3 models. You must order one O/I-PCB if you are using a basic enclosure (EH4718 or EH4722) with these optional accessories.

RECOMMENDED MOUNTS

| | | |
|------------------|----------|--|
| Pedestal | EM1009U, | Medium duty pedestal mount; |
| | EM1015U | maximum load 40 lb (18.14 kg) |
| | MM22 | Medium duty pedestal mount; |
| Wall | PM2000/ | maximum load 40 lb (18.14 kg) |
| | PM2010** | Pedestal mounts; maximum load 125 lb (56.63 kg) |
| | EM1900U | Medium duty wall mount; maximum load 40 lb (18.14 kg) |
| Pipe/Pole | EM22 | Medium duty wall mount; maximum load 40 lb (18.14 kg) |
| | WM2000** | Universal wall mount; maximum load 75 lb (33.97 kg) |
| | EM1109 | Medium duty pedestal mount for pipe/pole; maximum load 40 lb (18.14 kg) |
| Adapter | EM2000, | Medium duty mount for pipe/pole applications; maximum load 40 lb (18.14 kg). |
| | EM2200 | |
| Adapter | AH1000 | Manually adjustable pan/tilt head |

**Use with AH1000 adjustable head.

RECOMMENDED PAN/TILT

| | |
|--------------|--|
| PT570 Series | Medium duty pan/tilt, 120 or 24 VAC; maximum load 40 lb (18.14 kg) |
|--------------|--|



Pelco Worldwide Headquarters:
3500 Pelco Way, Clovis, California 93612-5699 USA
USA & Canada Tel: (800) 289-9100 • FAX (800) 289-9150
International Tel: (559) 292-1981 • FAX (559) 348-1120
www.pelco.com

Pelco and the Pelco logo are registered trademarks of Pelco. Lexan is a registered trademark of the General Electric Company. Specifications subject to change without notice. ©Copyright 2002, Pelco. All rights reserved.