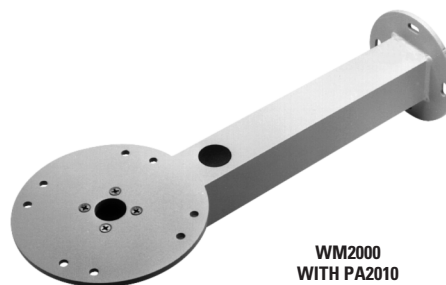


WM2000 Mount

WALL MOUNT, HEAVY DUTY, PAN/TILT AND ENCLOSURE

Product Features

- Wall Mounting
- Can Be Used in Corner, Pole, and Parapet Applications When Used with Appropriate Mount Adapter
- Supports up to 75 lb (34 kg); 150 lb (68 kg) When Used with ST1 Strut
- For Use with Medium- and Heavy-Duty Pan/Tilts or Enclosures
- Cable Feedthrough Holes (Top and End of Arm); Removable Plastic Cap on Front End



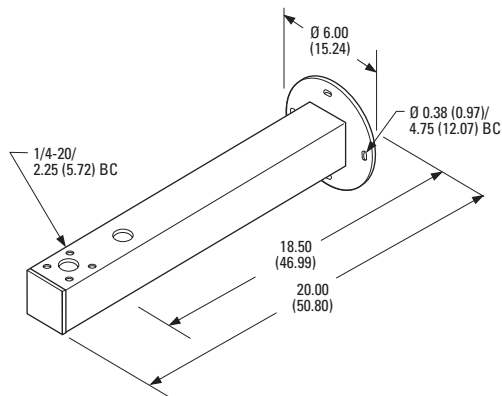
The **WM2000** is a universal wall mount designed for use with medium- and heavy-duty pan/tilts or enclosures. Constructed from aluminum, the **WM2000** will safely support up to 75 lb (34 kg). When used with the ST1 support strut, the maximum load is increased to 150 lb (68 kg). Optional mount adapters are available for corner, pole, and parapet applications.

The **WM2000** can be adapted for use with enclosures when used with the AH1000 or AH2000 adjustable head. The AH1000 and AH2000 allow 360-degree positioning of the enclosure; the AH1000 is for use with EH4700 Series enclosures, and the AH2000 is for use with EH5700, EH8106, and EHX*E Series enclosures.

In certain applications, the AH1000 or AH2000 can be used alone.

When mounting a pan/tilt on the WM2000, the appropriate adapter (PA2000/PA2010) must be used (*refer to Related Products*).

Adapters are available for corner (CM100), pole (PA102), and parapet (PP100) applications (*refer to Optional Adapters*).



NOTE: VALUES IN PARENTHESES ARE CENTIMETERS; ALL OTHERS ARE INCHES.

WM2000



MODELS/TECHNICAL SPECIFICATIONS

WM2000 and Related Products

MODEL

WM2000 Universal wall mount for pan/tilts and enclosures

RELATED PRODUCTS

AH1000 Manually adjustable pan/tilt head for use with EH4700 Series enclosures

AH2000 Manually adjustable pan/tilt head for use with EH5700, EH8106, and EHX*E Series enclosures

PA2000 Mount adapter for PT520P, PT520SL, PT570P, PT570-24P, and PT680-24P pan/tilts

PA2010 Mount adapter for PT1250DC, PT1250P, PT1280P, PT1280SL, and PT1260EX heavy duty pan/tilts

ST1 Support strut; for use with WM2000. Increases maximum load to 150 lb (68 kg)

OPTIONAL ADAPTERS

CM100 Corner mount adapter for WM2000 mount

PA102 Pole mount adapter for WM2000 mount. Straps fit 3-inch (7.62 cm) to 8-inch (20.32 cm) diameter pole.

PP100 Parapet mount for WM2000 mount

SCM100 Corner mount adapter for ST1 strut

SPA102 Pole mount adapter for ST1 strut. Straps fit 3-inch (7.62 cm) to 8-inch (20.32 cm) diameter pole.

MECHANICAL

Pan Adjustment 360° (models AH1000 and AH2000 only)

Tilt Adjustment ±90° (models AH1000 and AH2000 only)

Mounting Method Secure to a solid surface with fasteners of a suitable size (not supplied)

GENERAL

Effective Projected Area (EPA)

- WM2000 ~60 square inches
- AH1000 ~21 square inches
- AH2000 ~7 square inches
- ST1 ~30 square inches

Construction Aluminum

Finish Gray polyester powder coat

Maximum Load 75 lb (34 kg); 150 lb (68 kg) when used with ST1 strut

Unit Weight

- AH1000 0.88 lb (0.40 kg)
- AH2000 2.92 lb (1.32 kg)
- PA2000 0.63 lb (0.28 kg)
- PA2010 1.28 lb (0.58 kg)
- ST1 1.34 lb (0.61 kg)
- WM2000 3.07 lb (1.39 kg)

Shipping Weight

- AH1000 2 lb (0.90 kg)
- AH2000 4 lb (1.81 kg)
- PA2000 1 lb (0.45 kg)
- PA2010 2 lb (0.90 kg)
- ST1 3 lb (1.35 kg)
- WM2000 5 lb (2.26 kg)



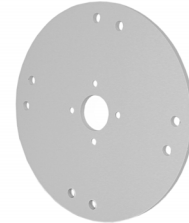
AH1000



AH2000



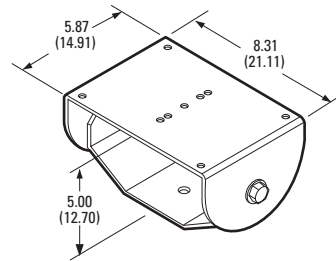
PA2000



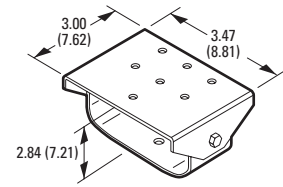
PA2010



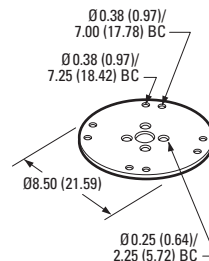
ST1



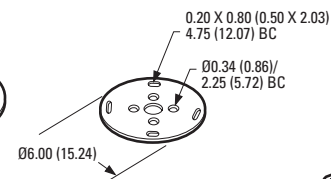
AH2000



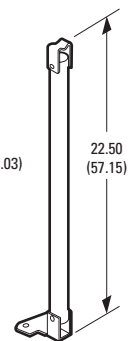
AH1000



PA2010



PA2000



ST1

NOTE: VALUES IN PARENTHESES ARE CENTIMETERS; ALL OTHERS ARE INCHES.

CERTIFICATIONS

- UL Listed

MODELS/TECHNICAL SPECIFICATIONS

Corner Adapters

MODELS

| | |
|--------|--|
| CM100 | Corner mount adapter for WM2000 wall mount |
| SCM100 | Corner mount adapter for ST1 support strut |

MECHANICAL

Adapter Mounting

Four 5/16-inch studs provided for mounting the WM2000 to CM100 (nuts and split lock washers supplied). Three 5/16-inch studs provided for mounting ST1 strut to the SCM100 (nuts and split lock washers supplied).

Suggested Mounting Method

Secure to solid mounting surface with fasteners of a suitable size. (Fasteners are not supplied.)

| | |
|-------------------|----------------|
| CM100 | 8 required |
| SCM100 | 4 required |
| Maximum Load | |
| CM100 | 75 lb (34 kg) |
| CM100 with SCM100 | 150 lb (68 kg) |

GENERAL

Construction

0.125-inch (3.17 mm) thick, 5052H32 aluminum

Finish

Gray polyester powder coat

Unit Weight

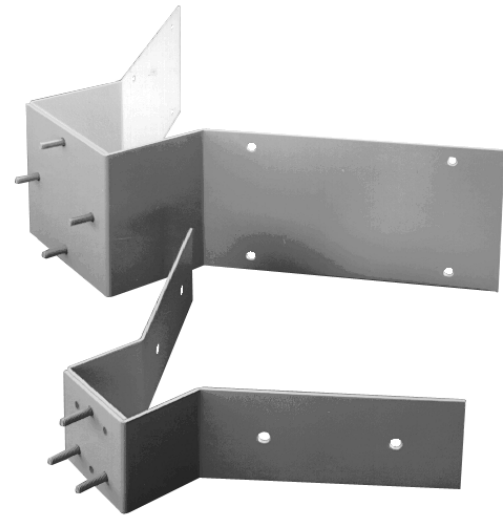
| | |
|--------|-----------------|
| CM100 | 3 lb (1.4 kg) |
| SCM100 | 1.5 lb (0.6 kg) |

Shipping Weight

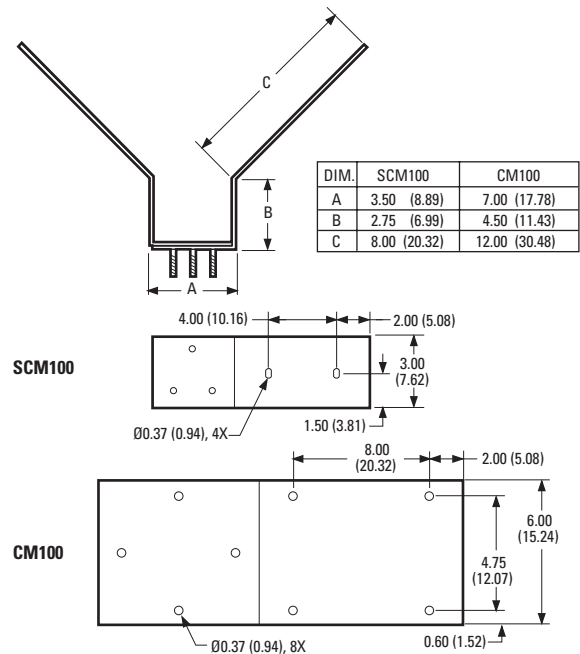
| | |
|--------|---------------|
| CM100 | 5 lb (2.3 kg) |
| SCM100 | 2 lb (0.9 kg) |

CERTIFICATIONS

- UL Listed



CM100 (TOP) AND SCMP100 (BOTTOM)



NOTE: VALUES IN PARENTHESES ARE CENTIMETERS; ALL OTHERS ARE INCHES.

MODELS/TECHNICAL SPECIFICATIONS

Pole Adapters

MODELS

| | |
|--------|----------------------------------|
| PA102 | Pole mount adapter for WM2000 |
| SPA102 | Pole mount adapter for ST1 strut |

GENERAL

| | |
|---------------------------|--|
| Construction | Aluminum, 0.125-inch (3.17 mm) thick |
| Mount | Stainless steel |
| PEM Studs | |
| Adapter Mounting | |
| PA102 | 4, 5/16-inch studs |
| SPA102 | 3, 1/4-inch studs |
| | (Nuts to secure mount to adapter are not supplied) |
| Suggested Mounting Method | Slots are provided for mounting straps; stainless steel straps supplied. Straps fit 3-inch (7.62 cm) to 8-inch (20.32 cm) diameter pole. |
| Maximum Load | Will support maximum load specified for WM2000 mount: 75 lb (33.97 kg); 150 lb (67.95 kg) when used with ST1 strut and SPA102 |
| Unit Weight | |
| PA102 | 3.35 lb (1.52 kg) |
| SPA102 | 1.83 lb (0.83 kg) |
| Shipping Weight | |
| PA102 | 5 lb (2.27 kg) |
| SPA102 | 3 lb (1.36 kg) |

CERTIFICATIONS

- UL Listed

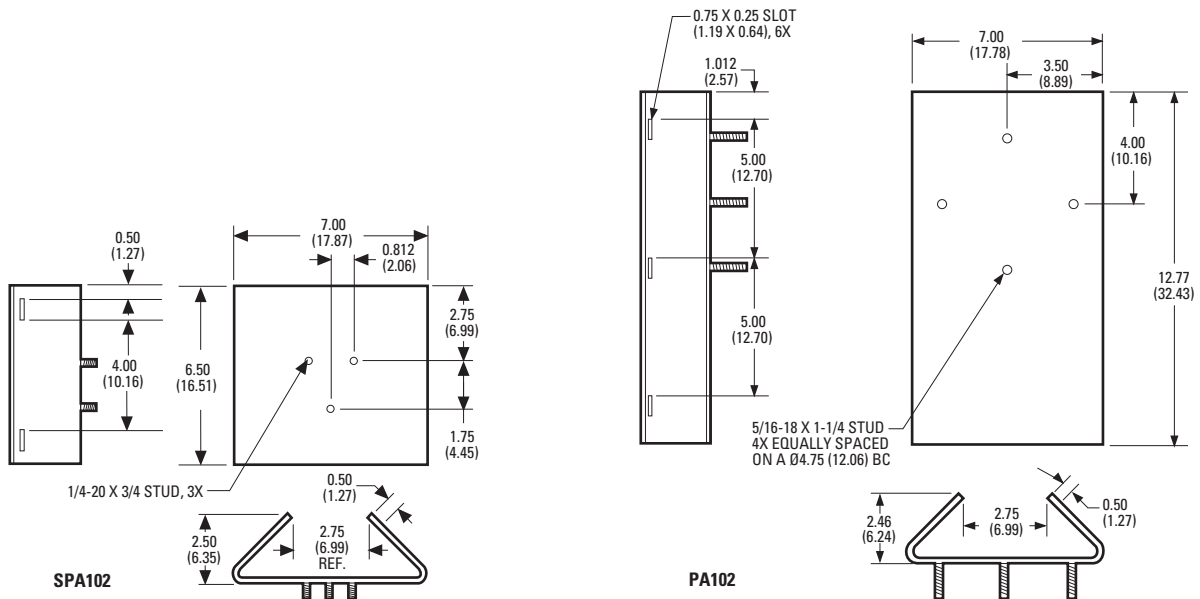
Parapet Adapters

MODEL

| | |
|-------|---|
| PP100 | Parapet adapter mount for use with WM2000 wall mount. Refer to PP100 specification sheet (C245) for additional information. |
|-------|---|



PA102 POLE ADAPTER SHOWN WITH WM2000 MOUNT AND SPA102 STRUT ADAPTER WITH ST1 STRUT



NOTE: VALUES IN PARENTHESES ARE CENTIMETERS; ALL OTHERS ARE INCHES.



Pelco, Inc. Worldwide Headquarters:
 3500 Pelco Way, Clovis, California 93612-5699 USA
USA & Canada Tel: (800) 289-9100 • FAX: (800) 289-9150
International Tel: +1 (559) 292-1981 • FAX: +1 (559) 348-1120
www.pelco.com

Pelco and the Pelco logo are registered trademarks of Pelco, Inc.
 Product specifications and availability subject to change without notice.
 ©Copyright 2008, Pelco, Inc. All rights reserved.