

## GV-CB120 1.3M H.264 Cube IP Camera



- 1/2.5" Progressive Scan CMOS
- Dual video streams from two of H.264, MJPEG and MPEG4
- Up to 30 fps at 1280 x 1024
- Built-in speaker and microphone
- G.711 and AAC audio codec
- Motion detection
- Tampering alarm
- Privacy mask
- IP address filtering
- 3GPP / ISMA
- Megapixel lens
- 16 languages on Web interface

### Active Tampering Alarm

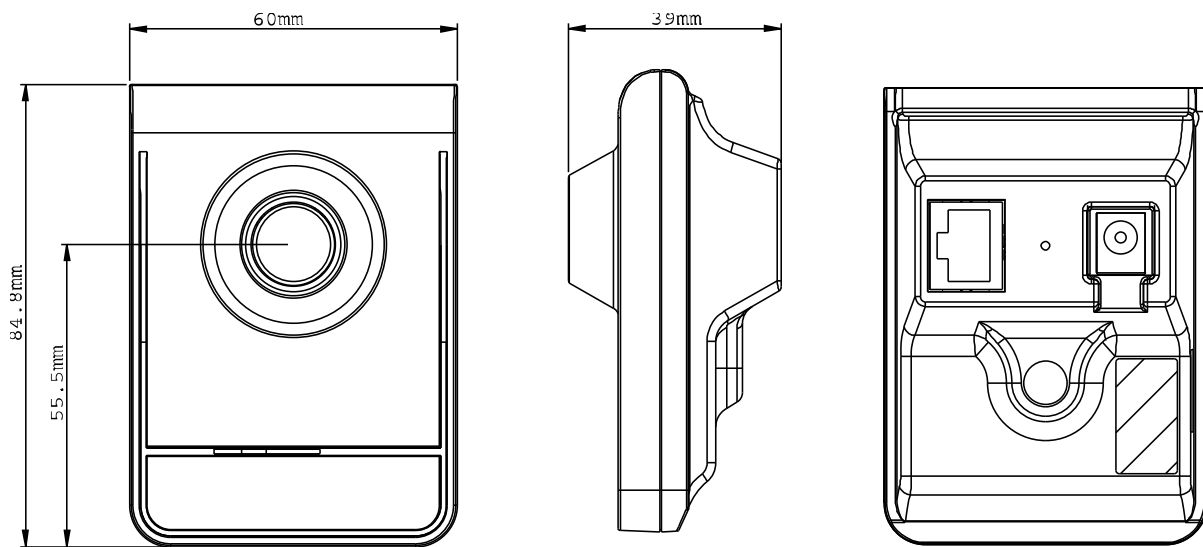
Tampered



Focus Change



Camera Shift



### SPECIFICATIONS

Camera		
Image Sensor		1/2.5" progressive scan CMOS
Picture Elements		1280 (H) x 1024 (V)
Minimum Illumination	Color	1 Lux (1/30 sec), 0.5 Lux (1/5 sec)
Shutter Speed		Automatic, Manual (1/5 ~ 1/8000 sec)
White Balance		Automatic, Manual (2800K ~ 8500K)
Lens		
Megapixel		Yes
Max Aperture		F/2.4
Focal Length		3.35 mm
Image Format		1/3"
Field of view	Diagonal	142°
	Horizontal	131°
	Vertical	112°

Operation		
Video Codec	H.264, MPEG4, MJPEG	
Video Streaming	Dual Streams from two of H.264, MPEG4 and MJPEG	
Frame Rate	30 fps at 1280 x 1024 * The frame rate and the performance may vary depending on the number of connections and data bitrates (different scenes).	
Image Setting	Brightness, Contrast, Sharpness, Gamma, White Balance, Flicker-less, Image Orientation, Backlight Compensation	
Audio Codec	G.711, AAC (16kHz / 16 bit) * AAC is only supported by GV-System V8.5 or later.	
Video Resolution		
Main Stream	4:3	1280 x 960, 640 x 480, 320 x 240
	16:9	1280 x 720, 640 x 360, 448 x 252
	5:4	1280 x 1024, 640 x 512, 320 x 256
Sub Stream	4:3	640 x 480, 320 x 240
	16:9	640 x 360, 448 x 252
	5:4	640 x 512, 320 x 256
Network		
Interface	10/100 Ethernet	
Ethernet Protocol	HTTP, HTTPS, TCP, UDP, SMTP, FTP, DHCP, NTP, UPnP, DynDNS, 3GPP/ISMA RTSP, PSIA, SNMP, QoS(DSCP)	
Mechanical		
Lens Mounting	M12 mm	
Connectors	Power	DC Jack
	Ethernet	Ethernet (10/100 Base-T), RJ-45
	Audio	Built-in speaker & microphone
	Local Storage	Micro SD/SDHC memory card slot
General		
Operating Temperature	0 °C ~ 50 °C / 32 °F ~ 122 °F	
Humidity	10% to 90% (no condensation)	
Power Source	12V DC	
Power Consumption	4 W (max. 0.35A at 12V DC)	
Regulatory	CE, FCC, C-Tick, RoHS compliant	
Dimensions (L X W X H)	60x 84.8 x 39 mm / 2.36 x 3.34 x 1.54 in	
Weight	80 g / 0.18 lb	
Web Interface		
Installation Management	Web-based configuration	
Maintenance	Firmware upgrade through Web Browser or Utility	
Access from Web Browser	Camera live view, video recording, change video quality, bandwidth control, image snapshot, audio, Picture in Picture, Picture and Picture, Privacy Mask, Tampering Alarm, Wide Angle Lens Dewarping	
Language	Czech / Danish / English / French / German / Hebrew / Hungarian / Italian / Japanese / Polish / Portuguese / Russian / Serbian / Simplified Chinese / Spanish / Traditional Chinese	
Applications		
Network Storage	GV-NVR, GV-System	
3G Mobile Phone	Built-in player for 3GPP / ISMA	
Live Viewing	IE , Mobile Phone	
CMS Server support	GV-Control Center, GV-Center V2, GV-VSM, GV-Backup Center, GV-Video Gateway, GV-Recording Server	

**Note:** Specifications are subject to change without notice.