

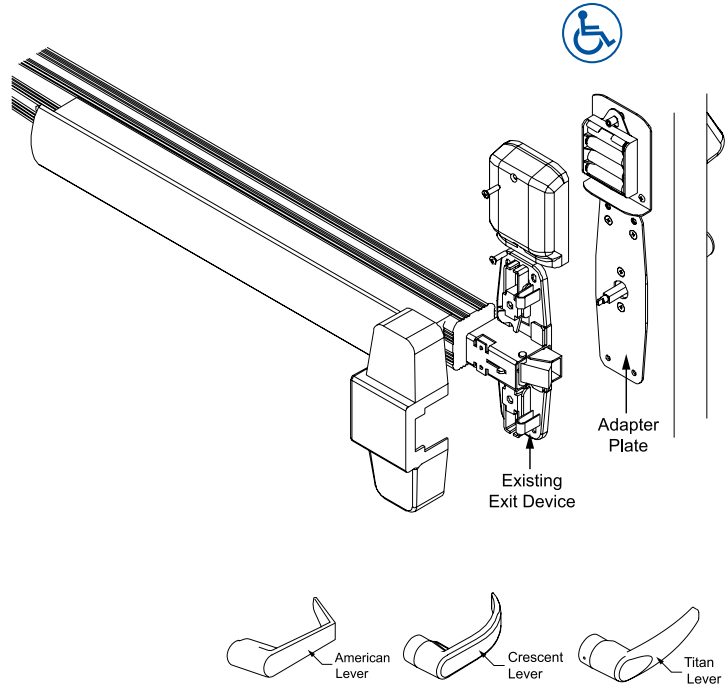
I-QWIK SERIES ELECTRONIC ACCESS CONTROL

RIM EXIT DEVICE STAND ALONE ACCESS CONTROL

THE NEW
I-QWIK LINE



IQ7DATA/26D Rim Exit Device Interface Model Shown



MARKS #		LOCKSET TYPE	FINISH GROUPS	
For Finish 19	For Finish 26D			
IQ7LITE	IQ7L/26D	Rim Exit Device Interface <i>Adapter plates operate most manufacturers Rim Exit Devices Adapter plates for Mounting Exit Devices are sold separately, see below.</i>	19: Black Powder Coat with 26D Satin Chrome Plated American Levers	26D: Satin Chrome Plated

STANDARD FEATURES

- For the IQ7 LITE standard features and lockset specifications, see page 18.
- Additional finishes, consult factory

ADAPTER PLATES

Rim exit device interface with a choice of adapter plates to fit most rim exit devices (*available separately*) are listed below:

DESCRIPTION	PART #
M9900 - Von Duprin 99 Rim Adapter Plate/Detex Advantex 10 Series Rim Adapter Plate	E7071
Precision 1100 Rim Adapter Plate	E7072
Yale 7100 Rim Adapter Plate/Corbin ED5200 Rim Adapter Plate	E7073
Dorma 9300 Rim Adapter Plate	E7074
Sargent 8800 Rim Adapter Plate/Arrow 3800 Rim Adapter Plate	E7075
Precision 21 Rim Adapter Plate/Precision 2100 Rim Adapter Plate**	E7076
Von Duprin 88 - <i>Special Order, Consult Factory</i>	E7077
Monarch 18R Exit Device Adapter Plate	E7078

** MUST USE PRECISION #BP21 BACKPLATE

LIFETIME MECHANICAL WARRANTY; 2 YEAR ELECTRONIC WARRANTY • FINISHES ARE EXCLUDED FROM THIS WARRANTY