

| ROFU [®] STRIKES | Faceplate Size | Frame Jamb Type | | | Mortise Lock | Cylindrical Lock | Reversible Hand? | Max. Latch Proj. | | Fail Safe | Fail Secure |
|-------------------------------|--------------------|---|-------|-------|--------------|------------------|------------------|------------------|------|-----------|-------------|
| | | Wood | Alum. | Metal | | | | 5/8" | 3/4" | | |
| Standard Duty | | 1500 Series, 1000 lb. Tamper Resistance | | | | | | | | | |
| 1501 | 1 1/4" x 5 7/8" | • | | | • | • | Y | ✓ | | | ✓ |
| 1505 | 1 1/4" x 5 7/8" | • | | | • | • | Y | ✓ | | | ✓ |
| 1507 | 1 1/8" x 2 3/4" | • | • | • | • | • | Y | ✓ | | | ✓ |
| 1508 | 1 1/8" x 5 7/8" | • | • | • | • | • | Y | ✓ | | | ✓ |
| 1509 | 1 7/16" x 7 15/16" | • | • | • | • | • | Y | ✓ | | | ✓ |
| 1512 | Rim Narrow | • | • | • | • | • | Y | ✓ | | | ✓ |
| Standard Duty | | 1400 Series, 1400 lbs. Tamper Resistance | | | | | | | | | |
| 1401 | 1 1/4" x 5 7/8" | • | | | • | • | Y | ✓ | | | ✓ |
| 1402 | 1 1/4" x 4 7/8" | | • | • | • | • | Y | ✓ | | | ✓ |
| 1402 RADIUS | 1 1/4" x 4 7/8" | | • | | • | • | Y | ✓ | | | ✓ |
| 1403 | 1 1/4" x 6 7/8" | | • | • | • | • | Y | ✓ | | | ✓ |
| 1403 RADIUS | 1 1/4" x 6 7/8" | | • | | • | • | Y | ✓ | | | ✓ |
| 1404 | 1 7/16" x 7 15/16" | • | • | • | • | • | Y | ✓ | | | ✓ |
| High Security | | 1400 Series, 1700 lbs. Tamper Resistance | | | | | | | | | |
| 1430 (LH or RH) | 1 1/4" x 4 7/8" | | • | • | • | | N | ✓ | | | ✓ |
| 1440 (LH or RH) | 1 1/4" x 4 7/8" | | • | • | • | | N | ✓ | | | ✓ |
| 1450 | 1 1/4" x 4 7/8" | | • | • | • | • | Y | ✓ | | | ✓ |
| 1460 | 1 3/8" x 9" | • | • | • | • | • | Y | ✓ | | | ✓ |
| 1460B (LH or RH) | 1 3/8" x 9" | • | • | • | • | • | N | ✓ | | | ✓ |
| 1470 | 1 3/8" x 9" | • | • | • | • | • | Y | ✓ | | | ✓ |
| 1470B (LH or RH) | 1 3/8" x 9" | • | • | • | • | • | N | ✓ | | | ✓ |
| Standard Duty | | 1700 & 1800 Series, 1000 lbs. Tamper Resistance, Adjustable Keeper | | | | | | | | | |
| 1701 | 1 1/4" x 5 7/8" | • | | | • | • | Y | ✓ | | | ✓ |
| 1702 | 1 1/4" x 4 7/8" | • | • | • | • | • | Y | ✓ | | | ✓ |
| 1702 RADIUS | 1 1/4" x 4 7/8" | | • | | • | • | Y | ✓ | | | ✓ |
| 1703 | 1 1/4" x 6 7/8" | • | • | • | • | • | Y | ✓ | | | ✓ |
| 1703 RADIUS | 1 1/4" x 6 7/8" | | • | | • | • | Y | ✓ | | | ✓ |
| 1704 | 1 7/16" x 7 15/16" | • | • | • | • | • | Y | ✓ | | | ✓ |
| 1802 | 1 1/4" x 4 7/8" | • | • | • | • | • | Y | ✓ | | | ✓ |
| 1803 | 1 1/4" x 6 7/8" | • | • | • | • | • | Y | ✓ | | | ✓ |
| 1804 | 1 7/16" x 7 15/16" | • | • | • | • | • | Y | ✓ | | | ✓ |
| High Security | | 2400 Series, 1500 lbs. Tamper Resistance | | | | | | | | | |
| 2400 - kit | | | | | | | | | | | |
| 2402 | 1 1/4" x 4 7/8" | • | • | • | • | • | Y | ✓ | | | ✓ |
| 2404 | 1 7/16" x 7 15/16" | • | • | • | • | • | Y | ✓ | | | ✓ |
| Standard Duty | | 3400 Series, 1400 lbs. Tamper Resistance (FAIL SAFE) | | | | | | | | | |
| 3401 | 1 1/4" x 5 7/8" | • | | | • | • | Y | ✓ | | | ✓ |
| 3402 | 1 1/4" x 4 7/8" | | • | • | • | • | Y | ✓ | | | ✓ |
| 3402 RADIUS | 1 1/4" x 4 7/8" | | • | | • | • | Y | ✓ | | | ✓ |
| 3403 | 1 1/4" x 6 7/8" | | • | • | • | • | Y | ✓ | | | ✓ |
| 3403 RADIUS | 1 1/4" x 6 7/8" | | • | | • | • | Y | ✓ | | | ✓ |
| 3404 | 1 7/16" x 7 15/16" | • | • | • | • | • | Y | ✓ | | | ✓ |
| High Security | | 3400 Series, 1700 lbs. Tamper Resistance (FAIL SAFE) | | | | | | | | | |
| 3430 (LH or RH) | 1 1/4" x 4 7/8" | | • | • | • | | N | ✓ | | | ✓ |
| 3440 (LH or RH) | 1 1/4" x 4 7/8" | | • | • | • | | N | ✓ | | | ✓ |
| 3450 | 1 1/4" x 4 7/8" | | • | • | • | • | Y | ✓ | | | ✓ |
| 3460 | 1 3/8" x 9" | • | • | • | • | • | Y | ✓ | | | ✓ |
| 3460B (LH or RH) | 1 3/8" x 9" | • | • | • | • | • | N | ✓ | | | ✓ |
| 3470 | 1 3/8" x 9" | • | • | • | • | • | Y | ✓ | | | ✓ |
| 3470B (LH or RH) | 1 3/8" x 9" | • | • | • | • | • | N | ✓ | | | ✓ |
| Rim Mount, Exit Device | | 1960 Fail Secure 3960 Fail Safe, 1700 lbs. Tamper Resistance | | | | | | | | | |
| 1960 | 1 3/4" x 9 7/16" | • | • | • | | | Exit Device | ✓ | | | ✓ |
| 3960 | 1 3/4" x 9 7/16" | • | • | • | | | Exit Device | ✓ | | | ✓ |



ROFU® ELECTRIC STRIKE MODEL 1702

1702 - SERIES, WITH ANSI FACEPLATE 1¼" x 4⁷/₈"

MODEL 1702 — Fail - Secure (Non Fail - Safe)

Electric strikes for use with mortise and cylindrical locksets.

For Commercial and Residential, New or Retrofit Uses

Standard Features



1702
Non-Handed

- Anodized Aluminum ANSI size Faceplate
- Frame Type - Hollow Metal, Aluminum or Wood
- Corrosion - Resistant case and moving parts.
- Tamper Strength Test - 1000 lbs (454kg)
- Cycle Test 500,000 cycles
- Keeper Depth - **1/2"** Maximum Latch Projection possible with 1/8" Door/Frame Clearance - **5/8"**
- Strike Depth 1.50" Overall
- Reversible - Non Handed
- Adjustable Keeper (FAFIX)
- Limited Warranty - **36 Months**

Available in the following Voltages and Finishes:

| | |
|----------------------|--|
| Specify Finish | xUS28, US10B or xUS4 |
| Voltage, Fail Secure | x01=8-16VAC/3-6VDC (Intermittent Duty) |
| | x04=12VAC/12VDC (Intermittent Duty) |
| | x05=12VDC (Continuous Duty) |
| | x07=24VAC/24VDC (Intermittent Duty) |
| | x08=24VDC (Continuous Duty) |
| | x14=48VAC/48VDC (Intermittent Duty) |

Optional Features:

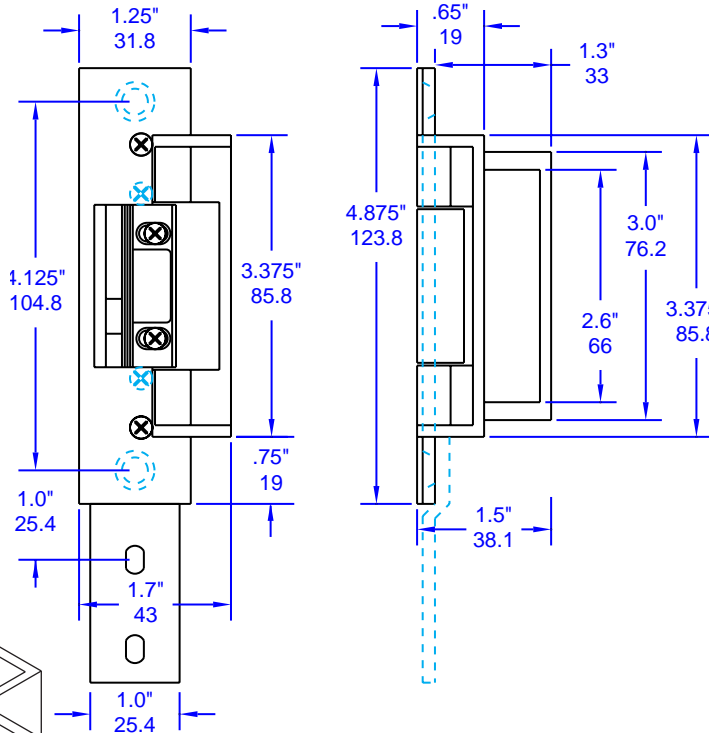
- Radius Faceplate for Aluminum Jamb, Specify "RAD." See drawing page #46
- 2" Lip Extension, specify #10002. See page #108

NOT TO SCALE - TECHNICAL DATA SUBJECT TO CHANGE WITHOUT NOTICE



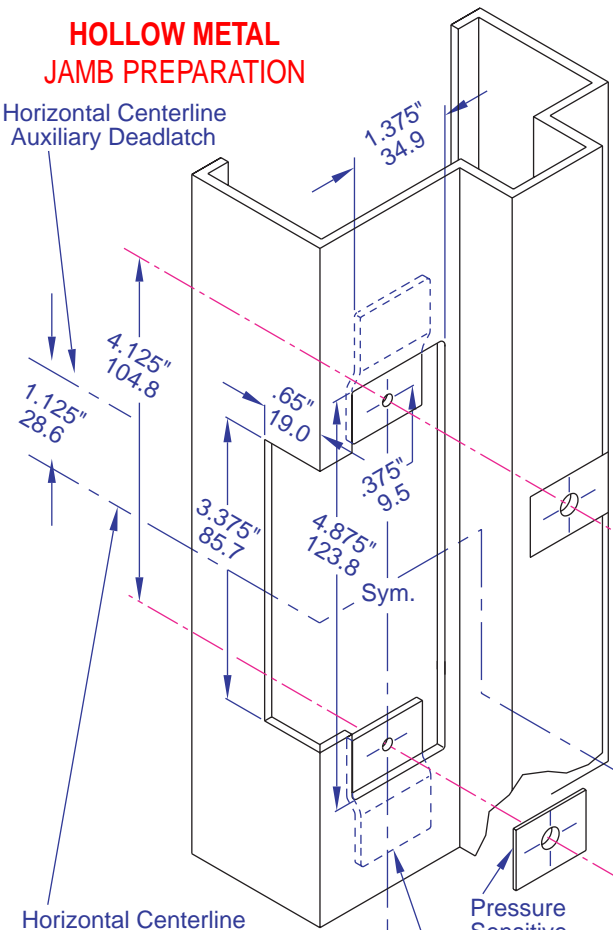


LINE ART FOR 1702

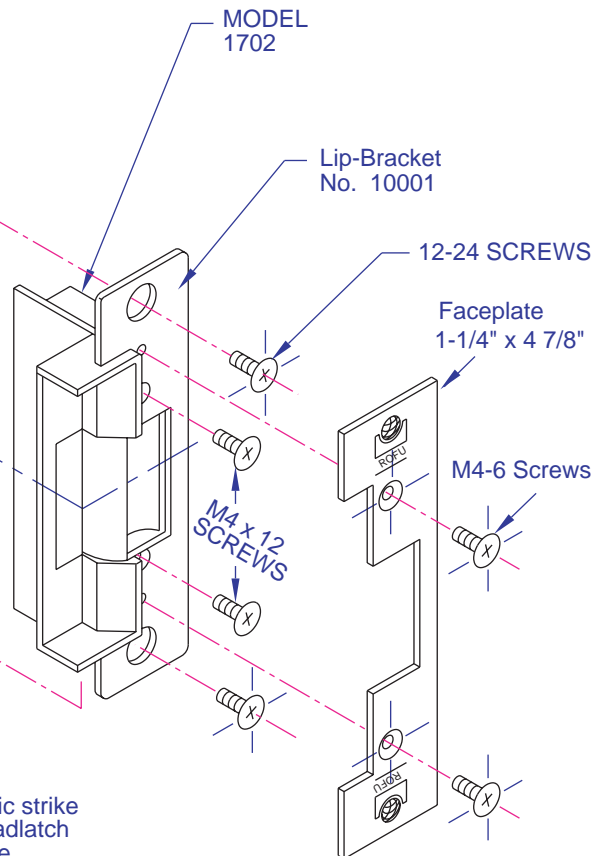


HOLLOW METAL JAMB PREPARATION

Horizontal Centerline Auxiliary Deadlatch



INSTALLATION



Horizontal Centerline Electric Door Strike

Pressure Sensitive Spacer

Mounting Bracket Welded to jamb.

The mounting screws of the electric strike and the mounting screws of the deadlatch are located on the vertical centerline.

NOT TO SCALE - TECHNICAL DATA SUBJECT TO CHANGE WITHOUT NOTICE